

RETRO BROWN

CS85/C1 AR



OFF ROAD SEATING MANUFACTURER



CS85/C1 AR (RETRO BROWN)


During the 1980's & 1990's several tractor brands such as John Deere, Case-IH, and David Brown had brown trim interiors, with brown trimmed seats.

To enable farmers to restore their cabins in brown livery, UnitedSeats has introduced the high selling CS85/C1 AR in Retro Brown fabric. This not only provides a comfortable and safe ride but meets aesthetic requirements in those classic tractors






STANDARD FEATURES

 **Mechanical suspension**
90 mm suspension stroke

 **Backrest extension**


 **Height adjustment**
60 mm in 3 stages

 **Armrests**

 **Weight adjustment**
50 - 125 kg


 **Backrest adjustment**


 **Slide rail travel**
150 mm

 **Mechanical lumbar support**

OPTIONAL FEATURES

 **Seat belt**

 **Heaters with 12v, 24v or 48v elements**

 **Operator presence switch**

 **Turntable**

Optional

AVAILABLE SUSPENSIONS



Mechanical suspension
MGV120 & MGV84



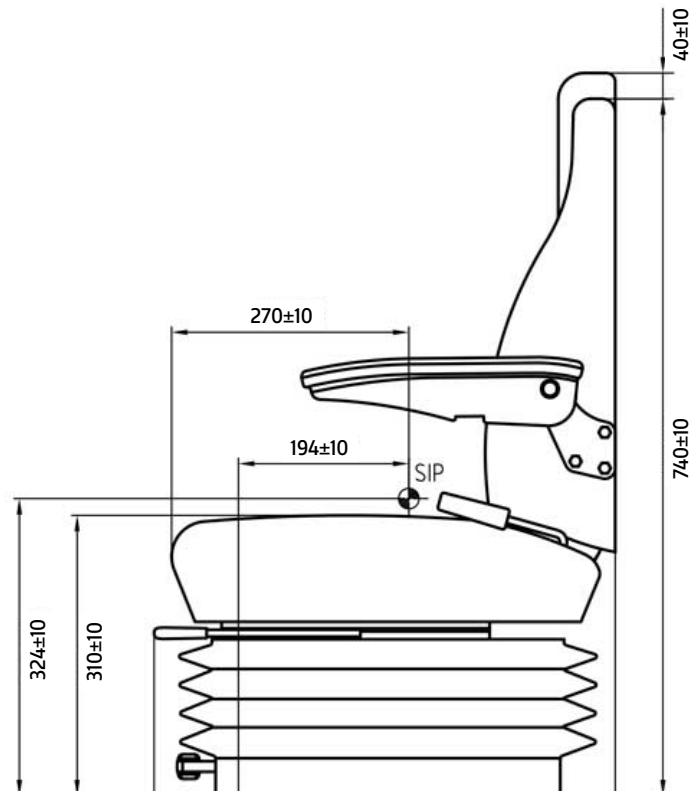
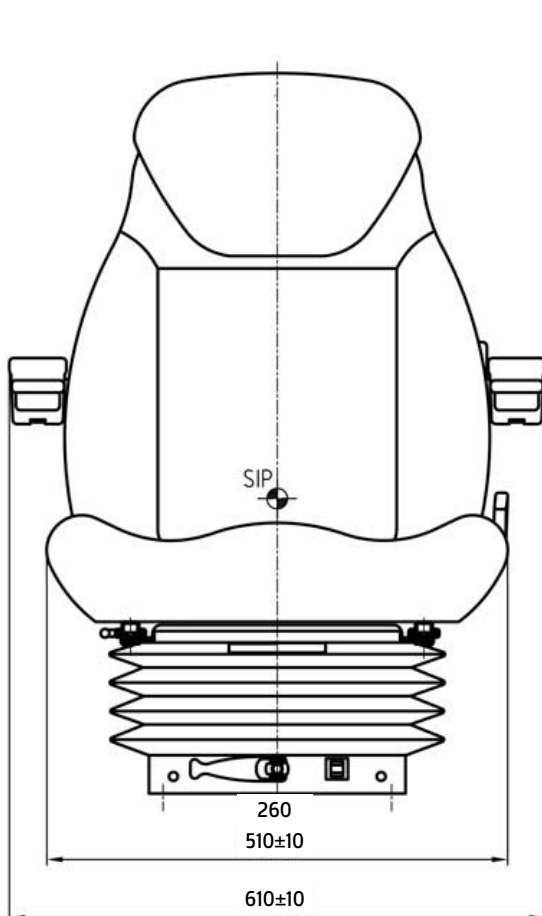
Air suspension
LGV90, LGV120, LGV84

Seat meets E5 + E11 - ISO 6683 & IWG 78/764



C1 AR seat upper also available

The dimensions on the technical drawing are shown as millimeters (mm)





YOUR OFF ROAD **SEATING** MANUFACTURER

Your UnitedSeats dealer:



At UnitedSeats we are dedicated to providing a quality service from the initial quotation to final product delivery. Our commitment to service, knowledge and product availability has made us the preferred source for your seating needs.

WWW.UNITEDSEATS.COM

