

BE-GE

BE-GE 95-series

The seats illustrated are fitted with extra items.



Comfort line

BE-GE 95-series is a static seat that is mainly used as a passenger seat. Other fields of application are in smaller buses and industrial trucks.

This model can be equipped with various armrests, headrests and safety belts; integrated 3-point safety belt or lap belt.

Standards:

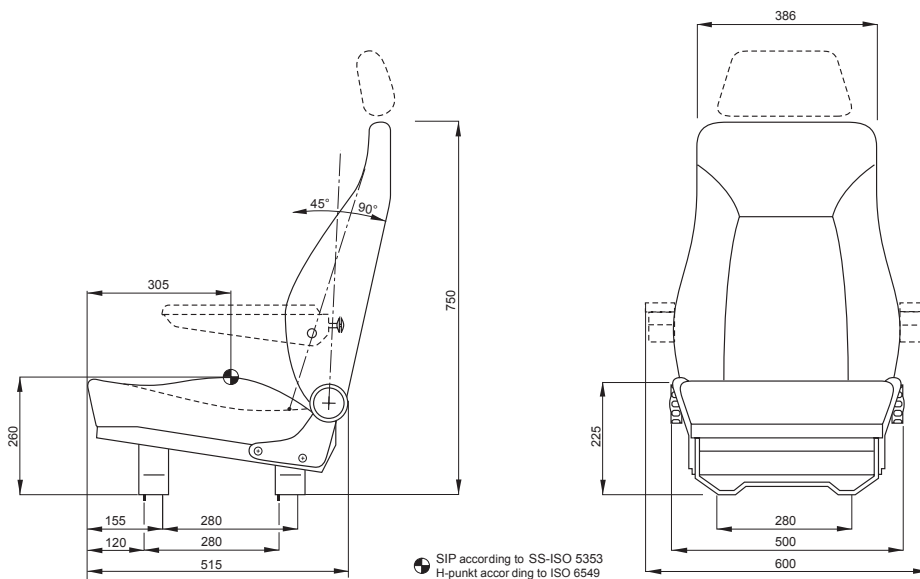
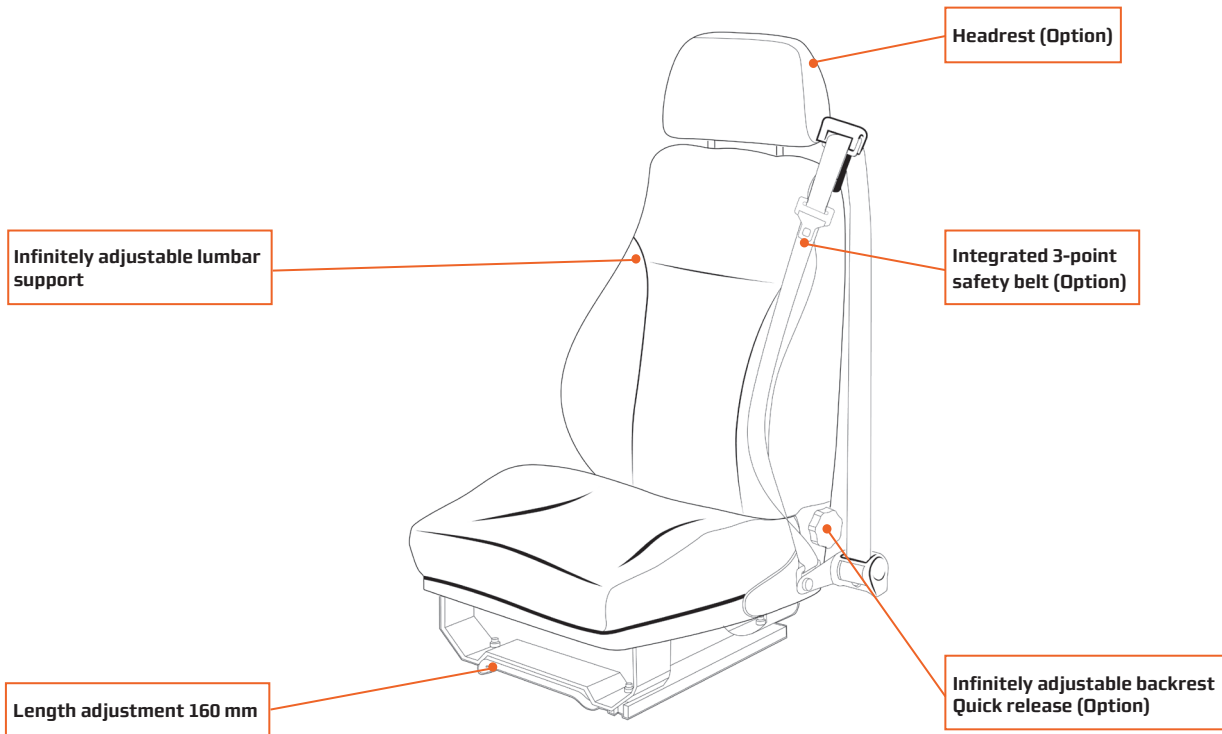
ISO 6683, SAE J386 (2-point belt)
R14.07, N2/N3, M2, M3 (3-point belt)
FMVSS 302, ISO 3795, 76/115/EEC

BE-GE 95-series

BE-GE 95-series has a choice between different back heights can be made in order to have a good working position in all kinds of working environments. The different seatback heights are the following: 640 mm, medium height 550 mm and low height 400 mm.

Options:

The seat can be fitted with electrical heating in seating and backrest, Airvent, different types of headrest, armrests, slide rails, quick release backrest adjustment and various types of bases. The seat can be equipped with extra high and stable side support, XSS or Comfort line.



Be-Ge Industri AB
Box 912, SE 572 29 Oskarshamn
Sweden

PH: +46 491-76 18 00
FAX: +46 491-819 00

WEB: seating.be-ge.com
E-MAIL: info@be-ge.se