

The seat illustrated is fitted with optional features



JANY 825 Comfort



JANY 825



JANY 825 Contour

The **JANY 805 Comfort** model has an adjustable headrest with foam upholstery specially designed for the ultimate in comfort.

The **JANY 825** range is based on the luxurious M1 multipurpose seat. A flexible product with a back that can be folded flat and used as a table. All three seats have adjustable and foldable backs and integrated 3 point seat belts.

The JANY 825 and JANY 825 Contour have integrated headrests.

Directive 2007/46/EC for vehicle category M1:

- Regulation ECE R14
- Regulation ECE R16
- Regulation ECE R17
- Regulation ECE R21

Seats are tested and approved by TÜV and UTAC

JANY 825 series

JANY 825 series is equipped as standard with an adjustable and foldable back, 3 point seat belt and integrated headrest.

JANY 825 Comfort has an adjustable headrest.

The seats can be fitted on Be-Ge Jany's flexible fully compliant Twinplate floor system.

Options

The JANY 825 seat can be supplied in OEM upholstery, vinyl, leather or customer-supplied special upholstery. Seats can be equipped with armrests and ISOFIX.



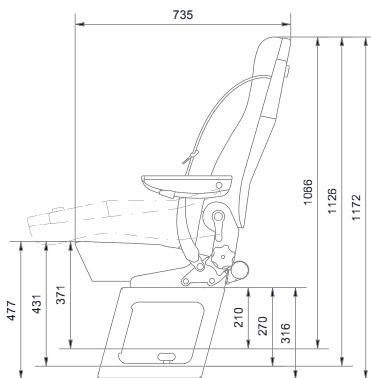
Folded seat

Fully reclined seat

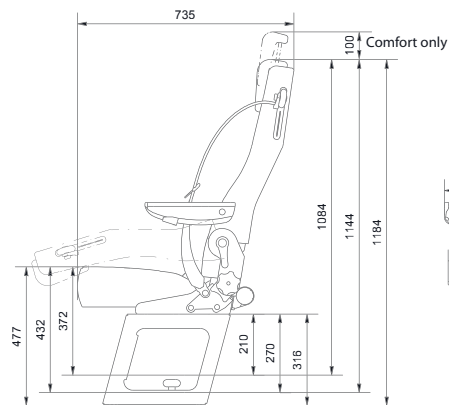
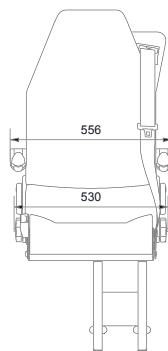
Weight in kg.

	Seat	Legs	Armrest
JANY 825	21,9*	6	0,8
JANY 825 Contour	22,4*	6	0,8
JANY 825 Comfort	22,9*	6	0,8

*without upholstery



Jany 825



Jany 825 Contour
Jany 825 Comfort