



Parts Replacements List

**9400**

Be-Ge

Doc. R2-9400

Date 130516

Rev. 2

Valid from 980301 to

Rev.Date 130516





Parts Replacements List

**620364**  
**BASE 9400**

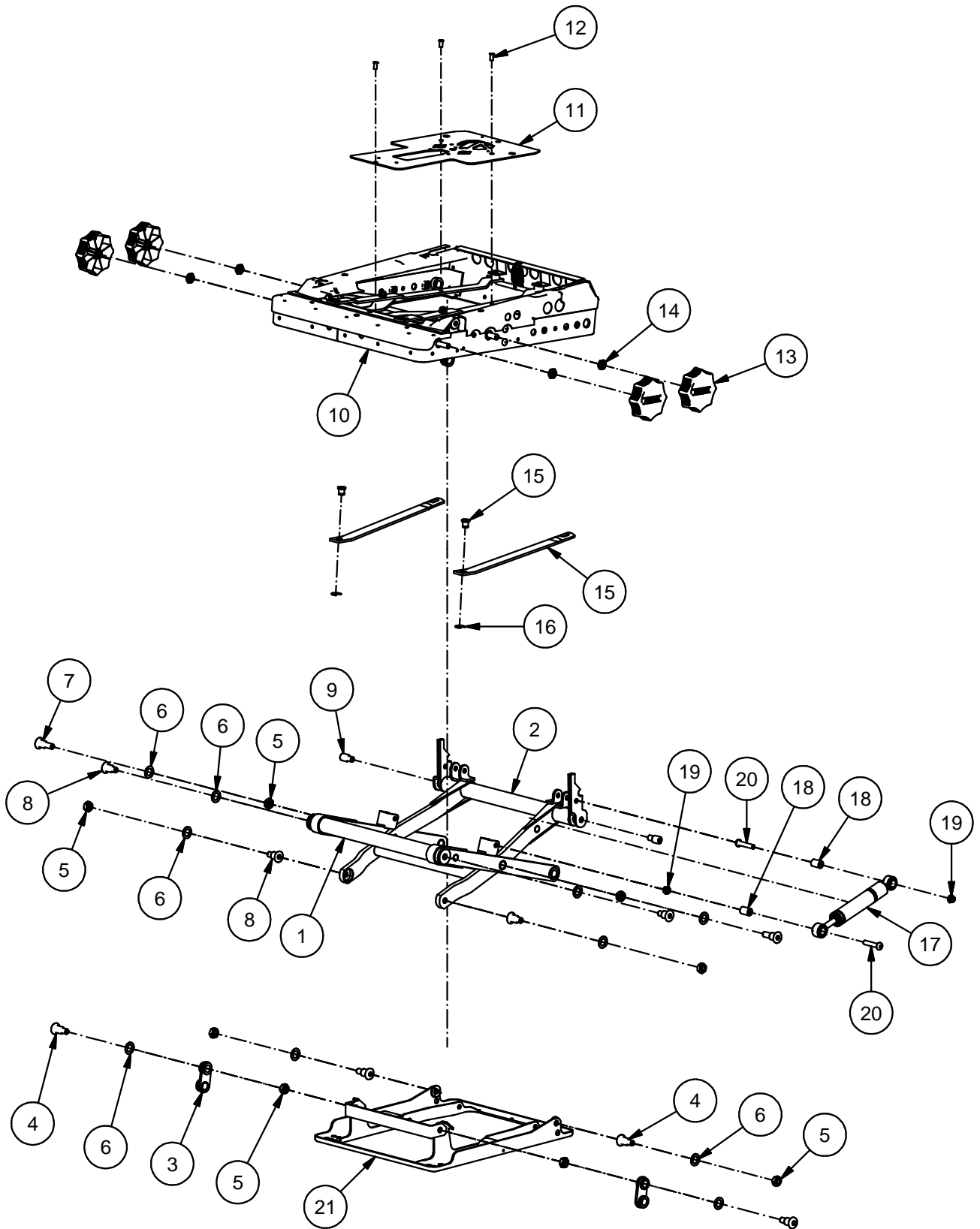
Valid from 900917 to

Doc. R1-620364

Date 120117

Rev. 0

Rev.Date





Parts Replacements List

**620364**  
**BASE 9400**

Doc. R1-620364

Date 120117

Rev. 0

Valid from 900917 to

Rev.Date

Fig.	Part. No.	Quantity	Description		
1	620005	1	OUTER SCISSOR		
2	621049	1	INNER SCISSOR CPL		
3	500115	2	SLEWING BRACKET		LOWER
4	620874	4	BEARING BOLT		
5	500413	8	NUT LOCK	M10	ZN K8
6	500392	10	PLASTIC WASHER		
7	500335	2	BEARING BOLT		
8	500393	4	BEARING BOLT		
9	500396	2	BEARING BOLT		
10	620028P	1	SEATFRAME		
11	620224	1	SEAT PLATE		
12	500223	3	RIVET AL/ST	6.0x12	AP/D BS
13	621408	4	HAND WHEEL M10		
14	210403	4	NUT ML6M	M10	DIN439/2 ZN K5
15	621046	2	CARRIAGE BEAM CPL		
16	652019	2	RETAINING WASHER	RS 9	DIN6799
17	500122	1	SHOCK ABSORBER		
18	620085	2	BUSHING		
19	210401	2	LOCKING NUT	M8	DIN6925 ZN K8
20	650045	2	SCREW K6S	M8x40	ISO7380 ZN 10.9
21	500547	1	BOTTOM FRAME		



Parts Replacements List

**500285**  
**BACKREST 640 LSA-RIGHT**  
**9000**

Valid from 840202 to

Doc. R1-500285

Date 100831

Rev. 0

Rev.Date

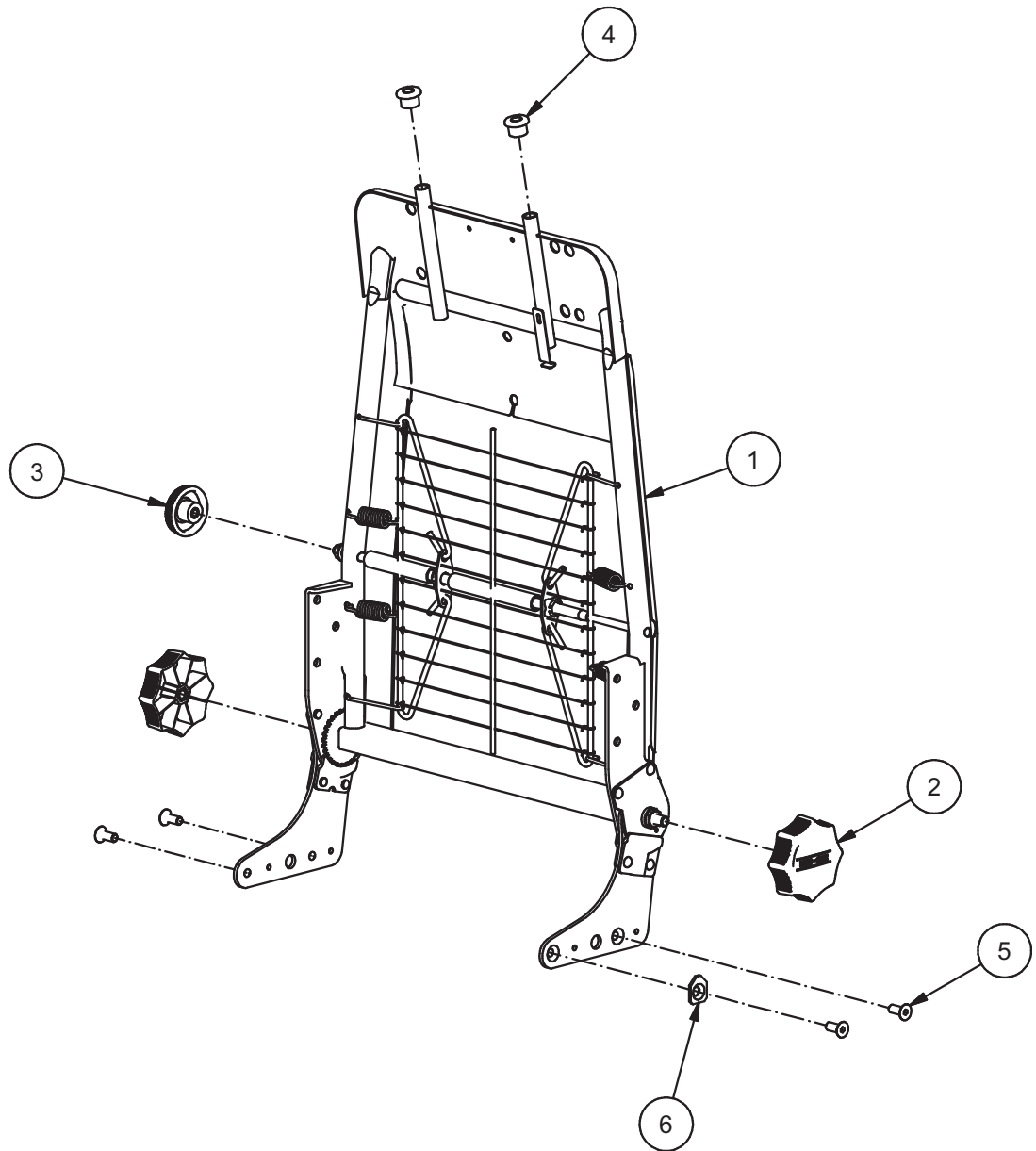


Fig.	Part. No.	Quantity	Description		
1	628026	1	ASSEMBLED BACKREST		
2	621408	2	HAND WHEEL M10		
3	500279	1	HANDWHEEL M8		
4	500385	2	HEADREST GROMMET		
5	310930	4	SCREW MF6S	M8x20	DIN7991 ZN-BL 10.9
6	620143	1	EXCENTER WASHER		



Parts Replacements List

**621246**  
**BACKREST 640 4-WAY LS**  
**9000**

Valid from 970605 to

Doc. R1-621246

Date 121016

Rev. 0

Rev.Date

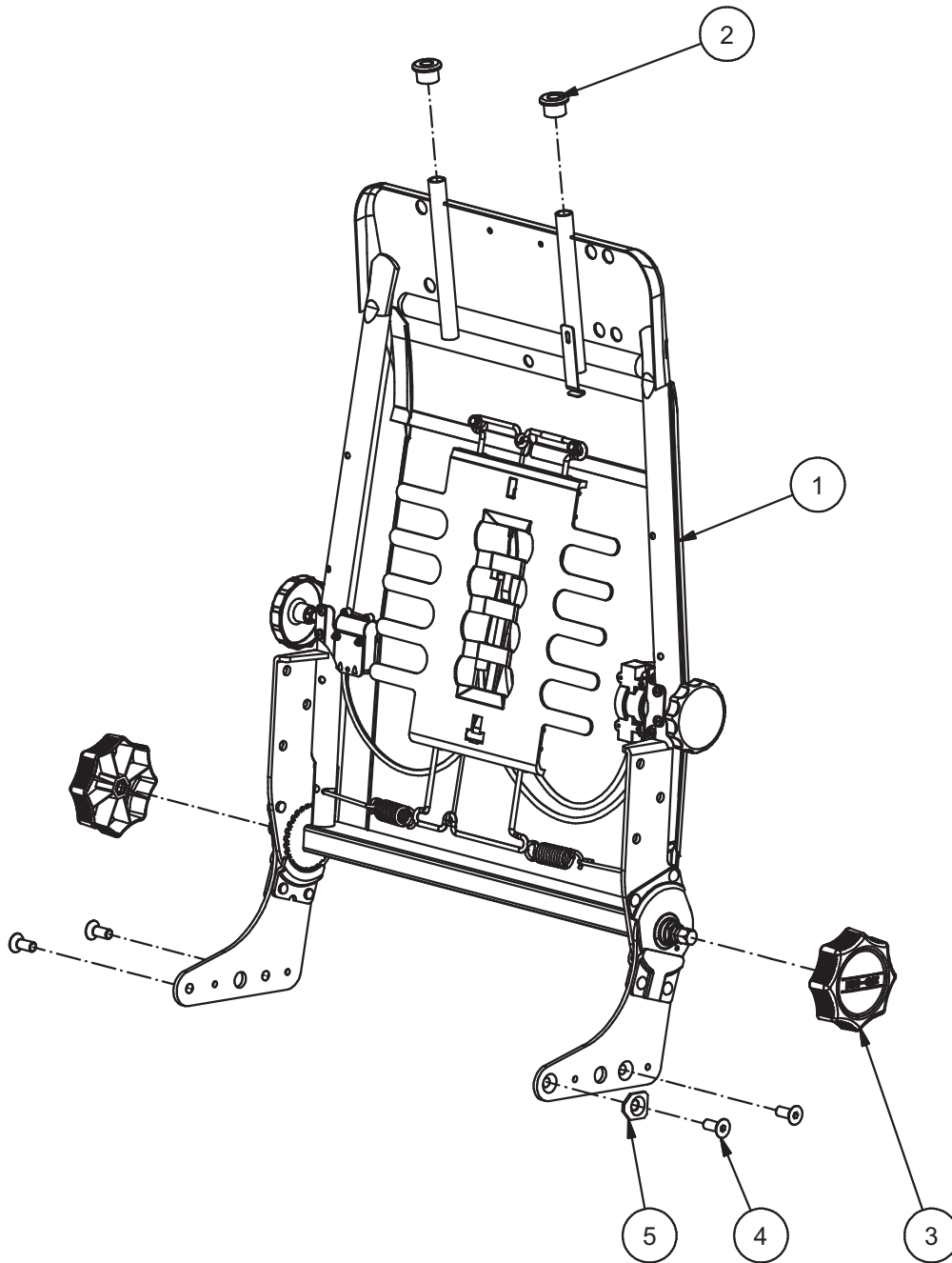


Fig.	Part. No.	Quantity	Description		
1	628028	1	ASSEMBLY BACKREST 640 9000		
2	500385	2	HEADREST GROMMET		
3	621408	2	HAND WHEEL M10		
4	310930	4	SCREW MF6S	M8x20	DIN7991 ZN-BL 10.9
5	620143	1	EXCENTER WASHER		



Parts Replacements List

**628940**

**BACKREST 640QR (RIGHT LUMBAR SUPPORT)**

**9000**

Valid from 051201 to

Doc. R1-628940

Date 080610

Rev.

Rev.Date

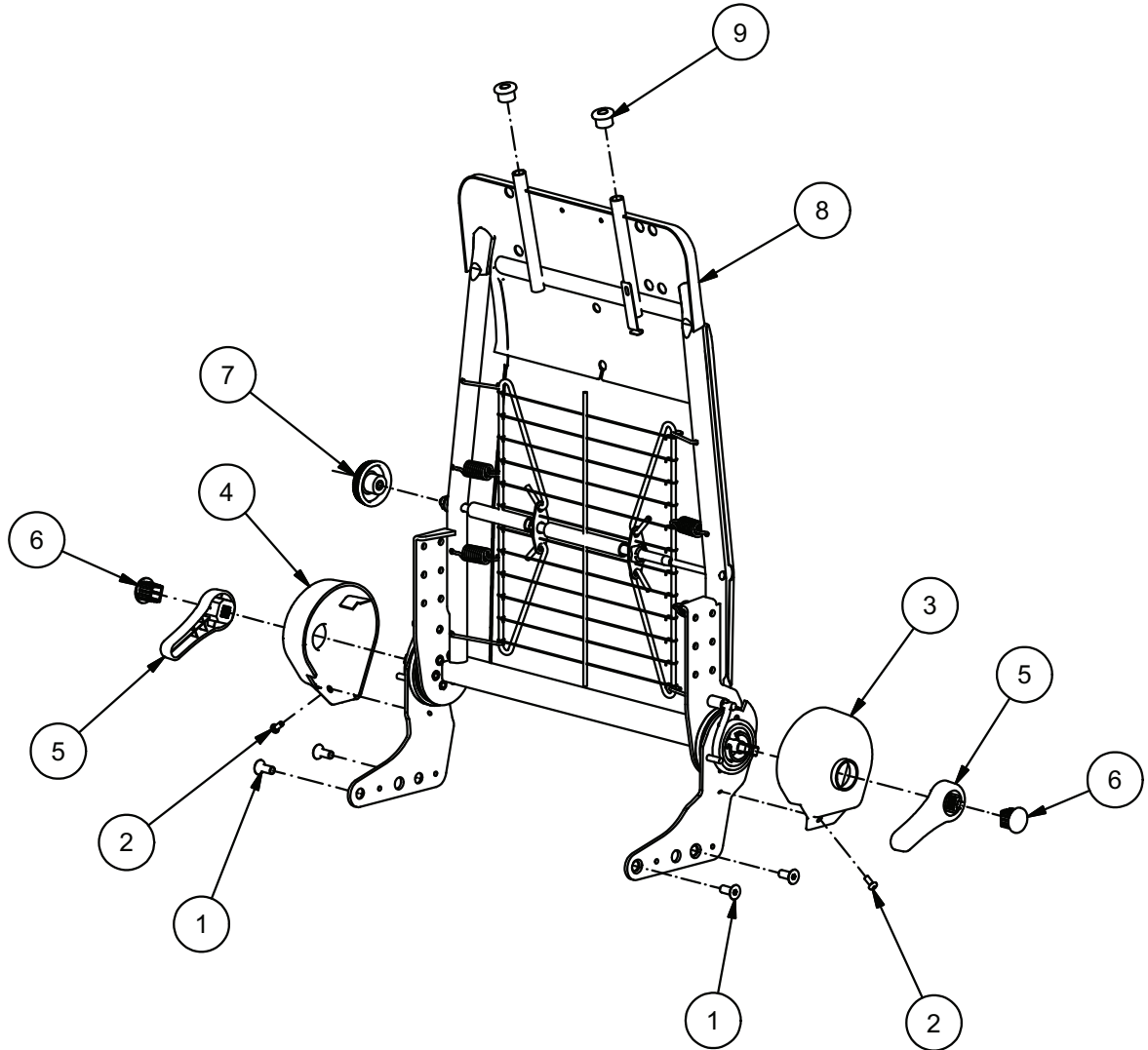


Fig.	Part. No.	Quantity	Description		
1	310930	4	SCREW MF6S	M8x20	DIN7991 ZN-BL 10.9
2	650126	2	SCREW MRT-TT	M5x12	ISO7045 ZN BLACK
3	628831	1	COVER LEFT		
4	628832	1	COVER RIGHT		
5	628833	2	GRIP		
6	628834	2	CAP GRIP		
7	500279	1	HANDWHEEL M8		
8	628939	1	BACK FRAME 640 QR		
9	500385	2	HEADREST GROMMET		



Parts Replacements List

**629150**  
**BACKREST 640 QR 4-WAY LS**  
**9000**

Valid from 060607 to

Doc. R1-629150

Date 121016

Rev. 0

Rev.Date

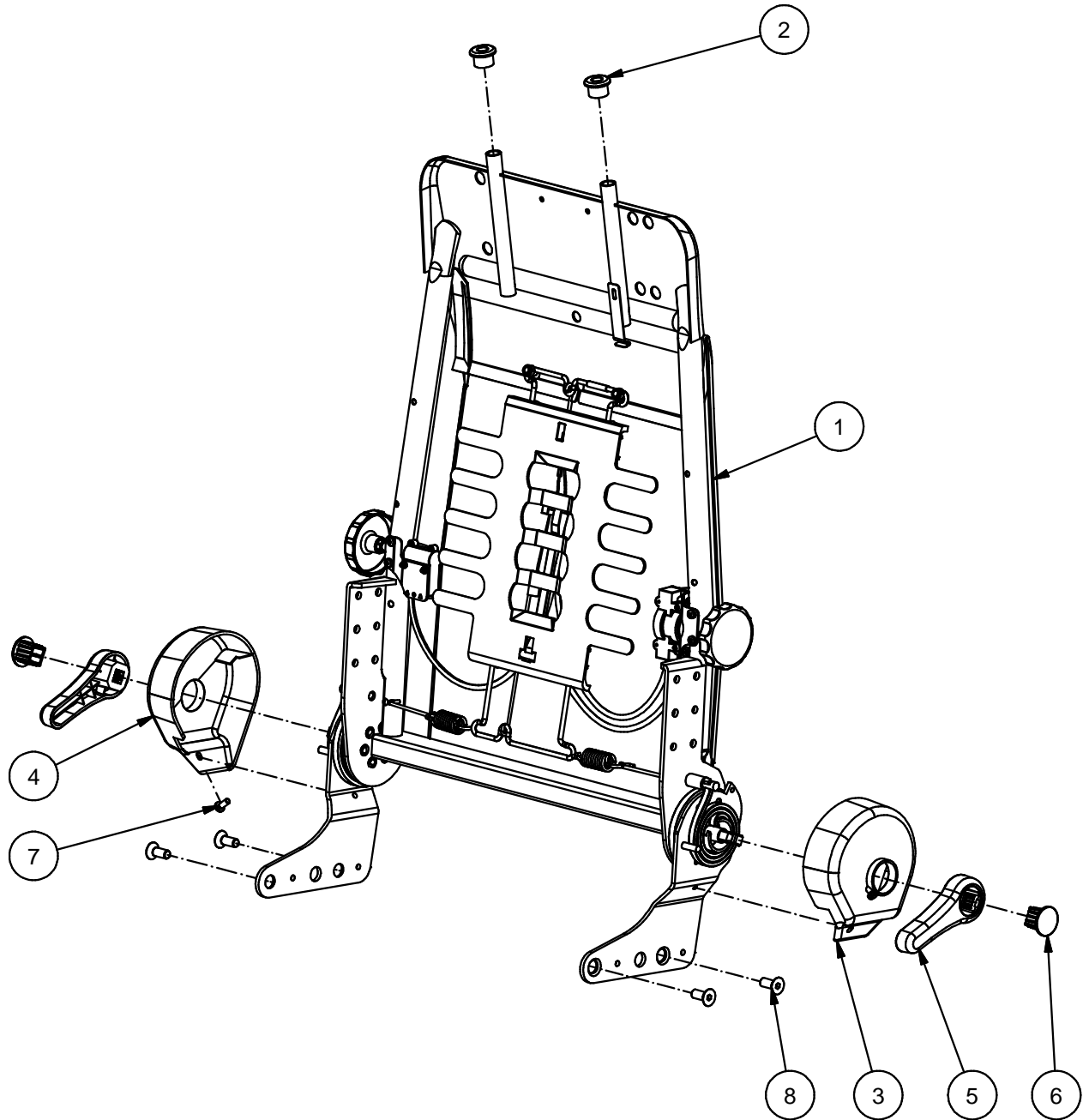


Fig.	Part No.	Quantity	Description		
1	629009	1	ASSEMBLE BACKREST 640 9000		
2	500385	2	HEADREST GROMMET		
3	628831	1	COVER LEFT		
4	628832	1	COVER RIGHT		
5	628833	2	GRIP		
6	628834	2	CAP GRIP		
7	650126	2	SCREW MRT-TT	M5x12	ISO7045 ZN BLACK
8	310930	4	SCREW MF6S	M8x20	DIN7991 ZN-BL 10.9



Parts Replacements List

**500566**  
**SLIDE KIT STD**  
**9000**

Valid from 870313 to

Doc. R1-500566

Date 100928

Rev. 0

Rev.Date

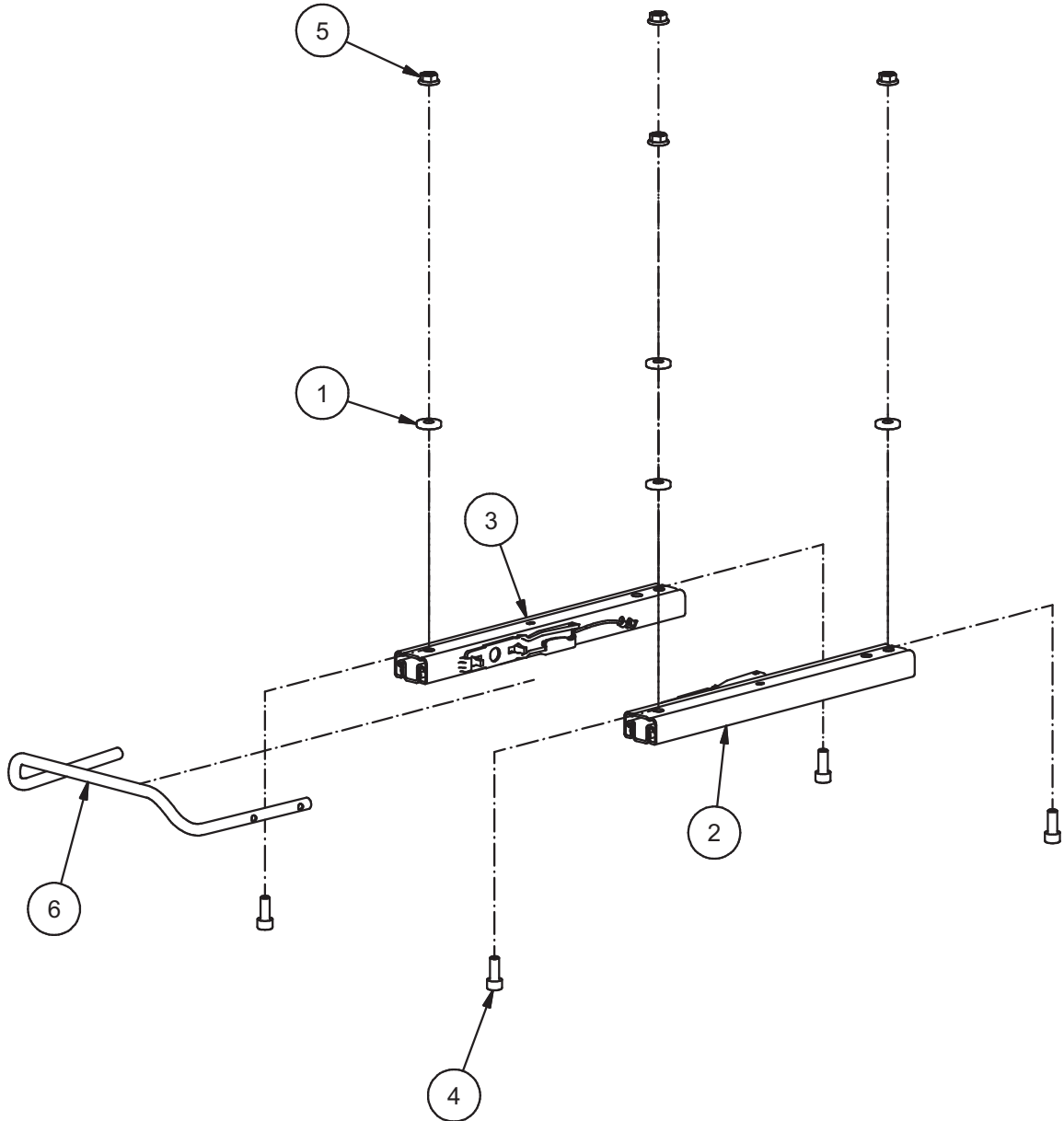


Fig.	Part. No.	Quantity	Description		
1	652014	4	WASHER	8.4x21x4	DIN7349 ZN
2	501212	1	SLIDE RAIL LEFT		
3	501211	1	SLIDE RAIL RIGHT		
4	500302	4	SCREW MC6S	M8x20	DIN912 ZN 8.8
5	651054	4	NUT TENSIFLANGE	M8	DIN6923 ZN K8
6	500546	1	HANDLE		





Parts Replacements List

**603037**  
**SLIDE RAIL KIT 4° TILT**  
**9000**

Valid from 970908 to

Doc. R1-603037

Date 121016

Rev. 0

Rev.Date

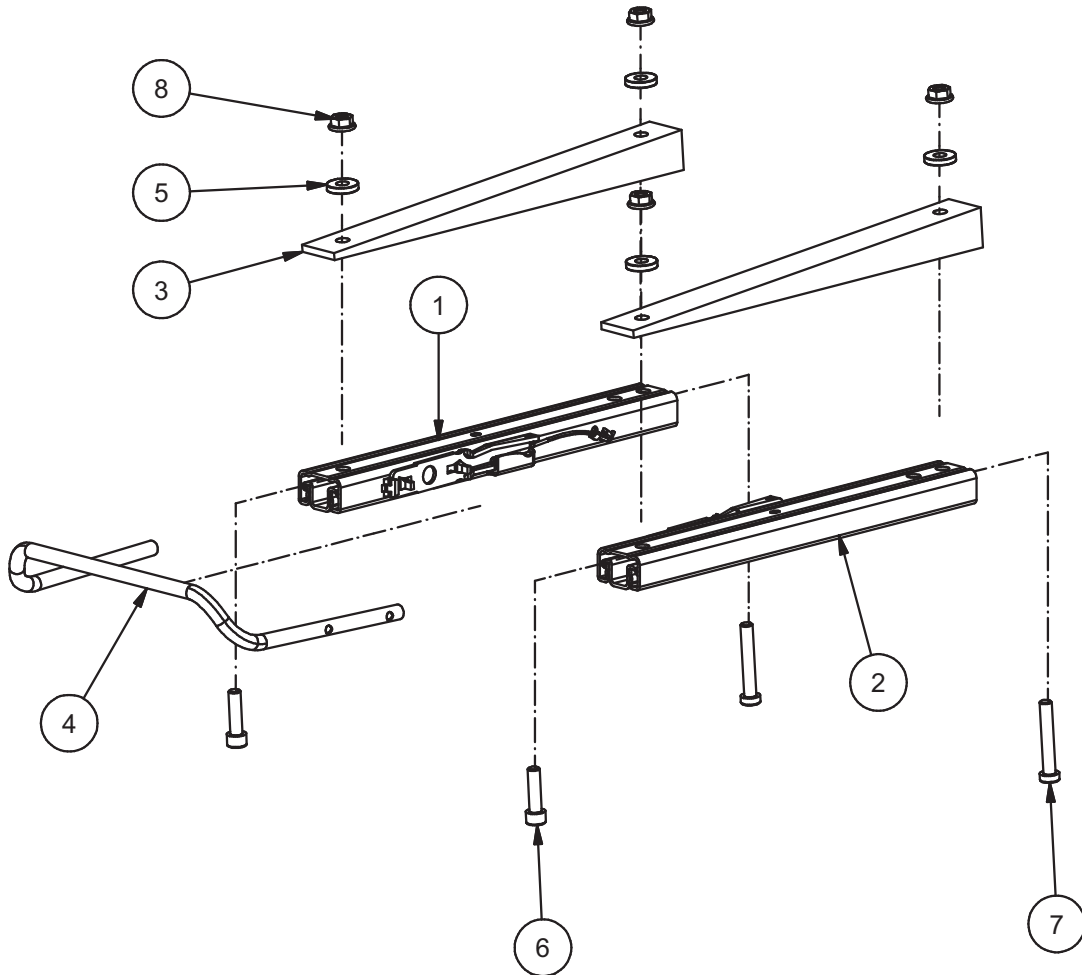


Fig.	Part. No.	Quantity	Description		
1	501211	1	SLIDE RAIL RIGHT		
2	501212	1	SLIDE RAIL LEFT		
3	500895	2	LEANING SPACER 4°		
4	500546	1	HANDLE		
5	652014	4	WASHER	8.4x21x4	DIN7349 ZN
6	650040	2	SCREW MC6S	M8 x 30	DIN 912
7	650084	2	SCREW MC6LS	M8x50	DIN7984 ZN 8.8
8	651054	4	NUT TENSIFLANGE	M8	DIN6923 ZN K8



Parts Replacements List

**603062**  
**SLIDE RAIL KIT 8° TILT**  
**9000**

Valid from 970908 to

Doc. R1-603062

Date 121016

Rev. 0

Rev.Date

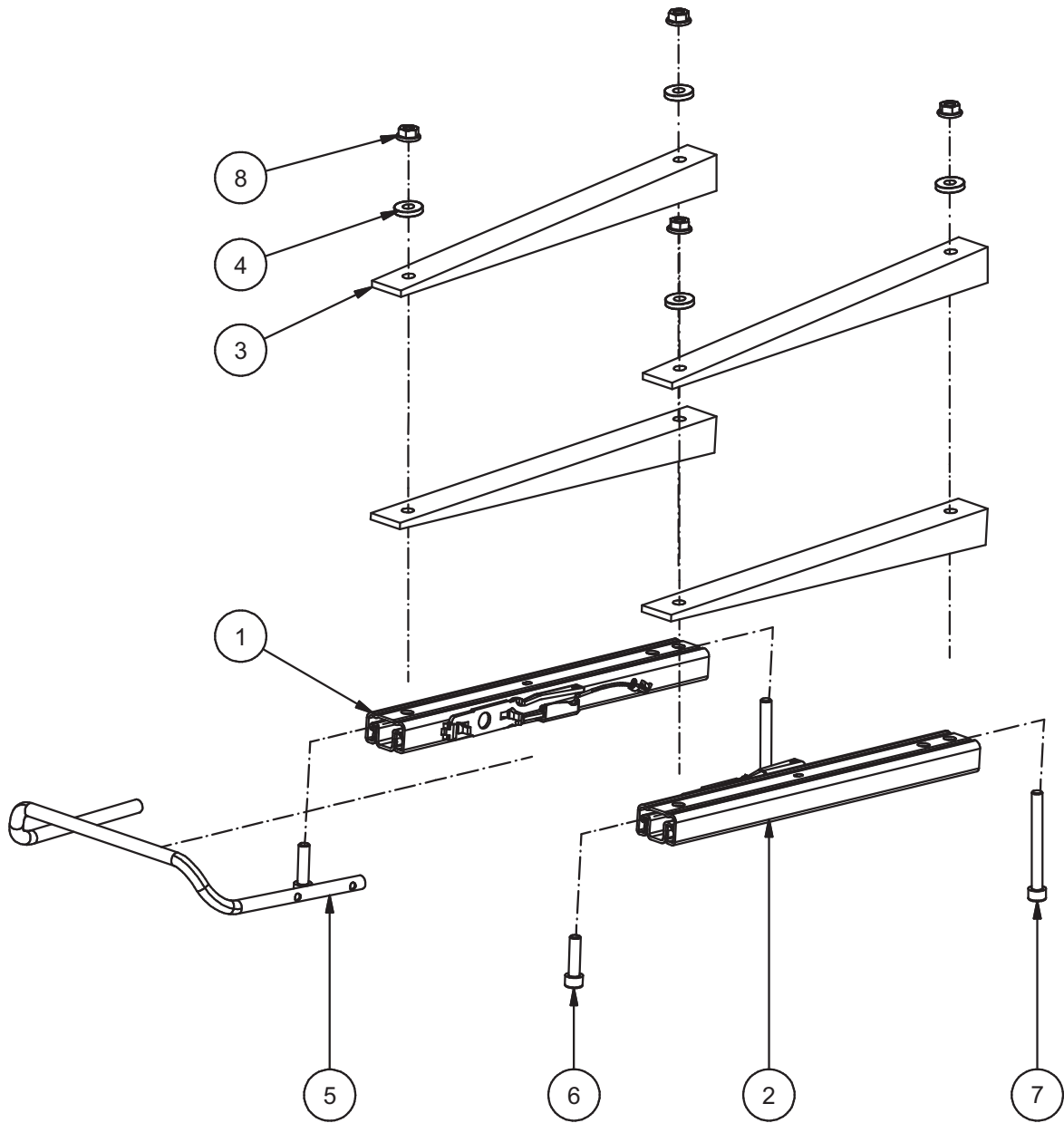


Fig.	Part. No.	Quantity	Description		
1	501211	1	SLIDE RAIL RIGHT		
2	501212	1	SLIDE RAIL LEFT		
3	500895	4	LEANING SPACER 4°		
4	652014	4	WASHER	8.4x21x4	DIN7349 ZN
5	500546	1	HANDLE		
6	650040	2	SCREW MC6S	M8 x 30	DIN 912
7	501139	2	SCREW MC6S	M8x75	ISO4762 ZN 8.8
8	651054	4	NUT TENSIFLANGE	M8	DIN6923 ZN K8



Parts Replacements List

**603026**  
**SLIDE KIT 240**  
**9000**

Valid from 110309 to

Doc. R1-603026

Date 110309

Rev. 0

Rev.Date

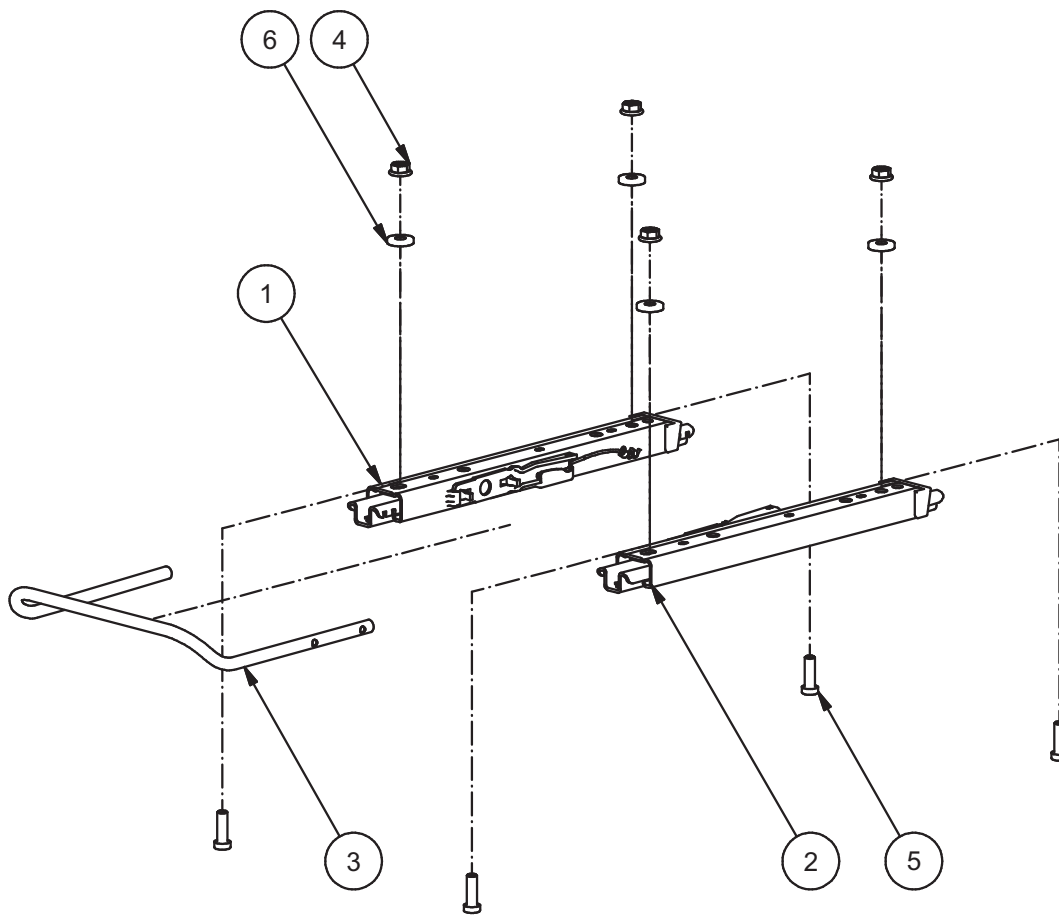


Fig.	Part. No.	Quantity	Description		
1	621907	1	SLIDE RAIL RIGHT		
2	621908	1	SLIDE RAIL LEFT		
3	620093	1	CLAMP BELT SEAT		
4	651054	4	NUT TENSIFLANGE	M8	DIN6923 ZN K8
5	650017	4	SCREW MC6LS	M8x25	DIN7984 ZN 8.8
6	652014	4	WASHER	8.4x21x4	DIN7349 ZN



Parts Replacements List

**500160**  
**PROTECTIVE BELLOWS**  
**9000**

Valid from 840101 to

Doc. R1-500160

Date 080610

Rev.

Rev.Date

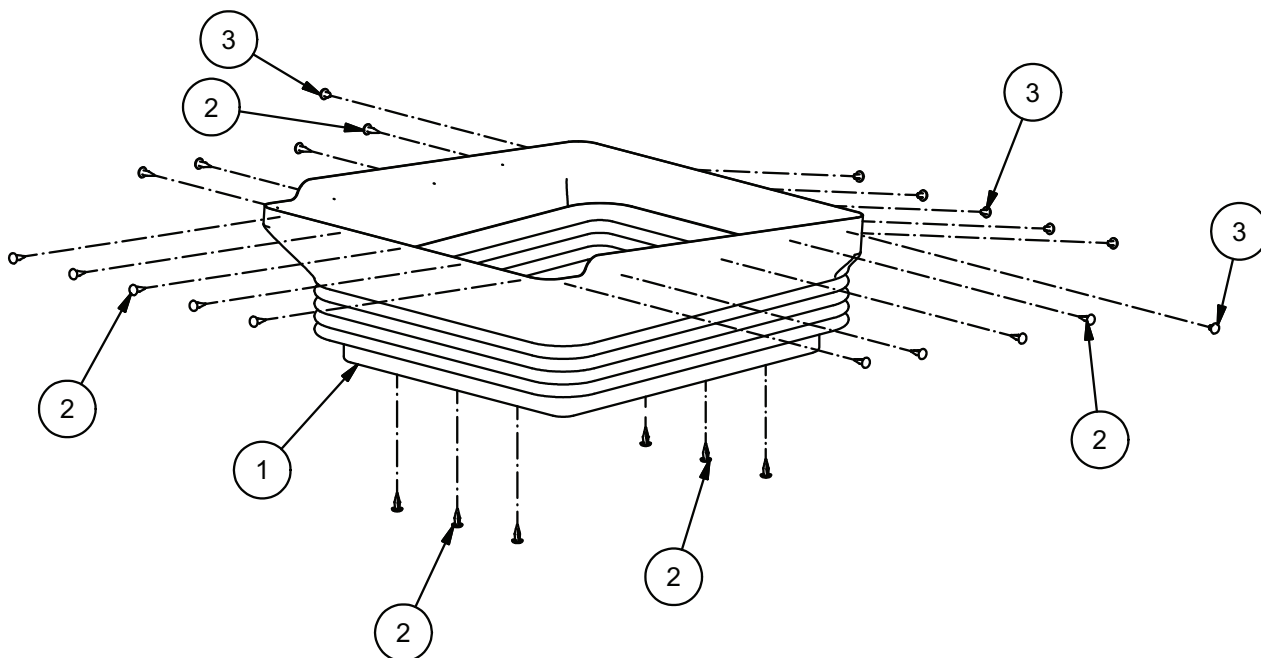


Fig.	Part. No.	Quantity	Description
1	501460	1	PROTECTIVE BELLOWS
2	500214	19	PLASTIC RIVET
3	629007	7	PLASTIC RIVET



Parts Replacements List

**628571**  
**TRIM KIT SEAT CUSHION NIGHTFALL**  
**9000**

Valid from 040501 to

Doc. R1-628571

Date 081124

Rev.

Rev.Date

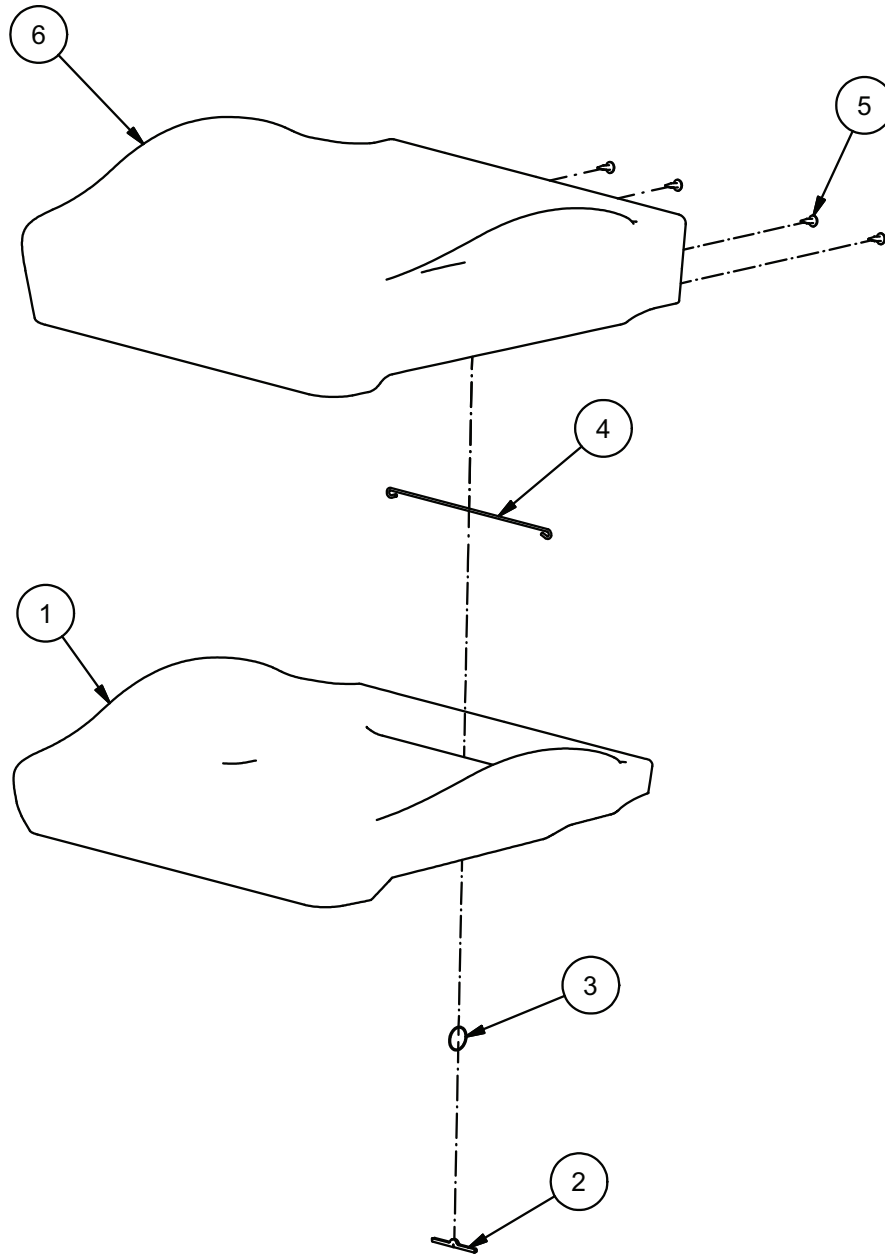


Fig.	Part. No.	Quantity	Description
1	500190	1	FOAM CUSHION
2	621404	1	BARETT PIN
3	660057	1	LOOPS 30 MM
4	620140	1	BRACKET L=230
5	500214	4	PLASTIC RIVET
6	641329	1	TRIM CUSHION

NIGHTFALL



Parts Replacements List

**628572**

**TRIM KIT SEAT CUSHION CT NIGHTFALL  
9000**

Valid from 040501 to

Doc. R1-628572

Date 110428

Rev. 0

Rev.Date

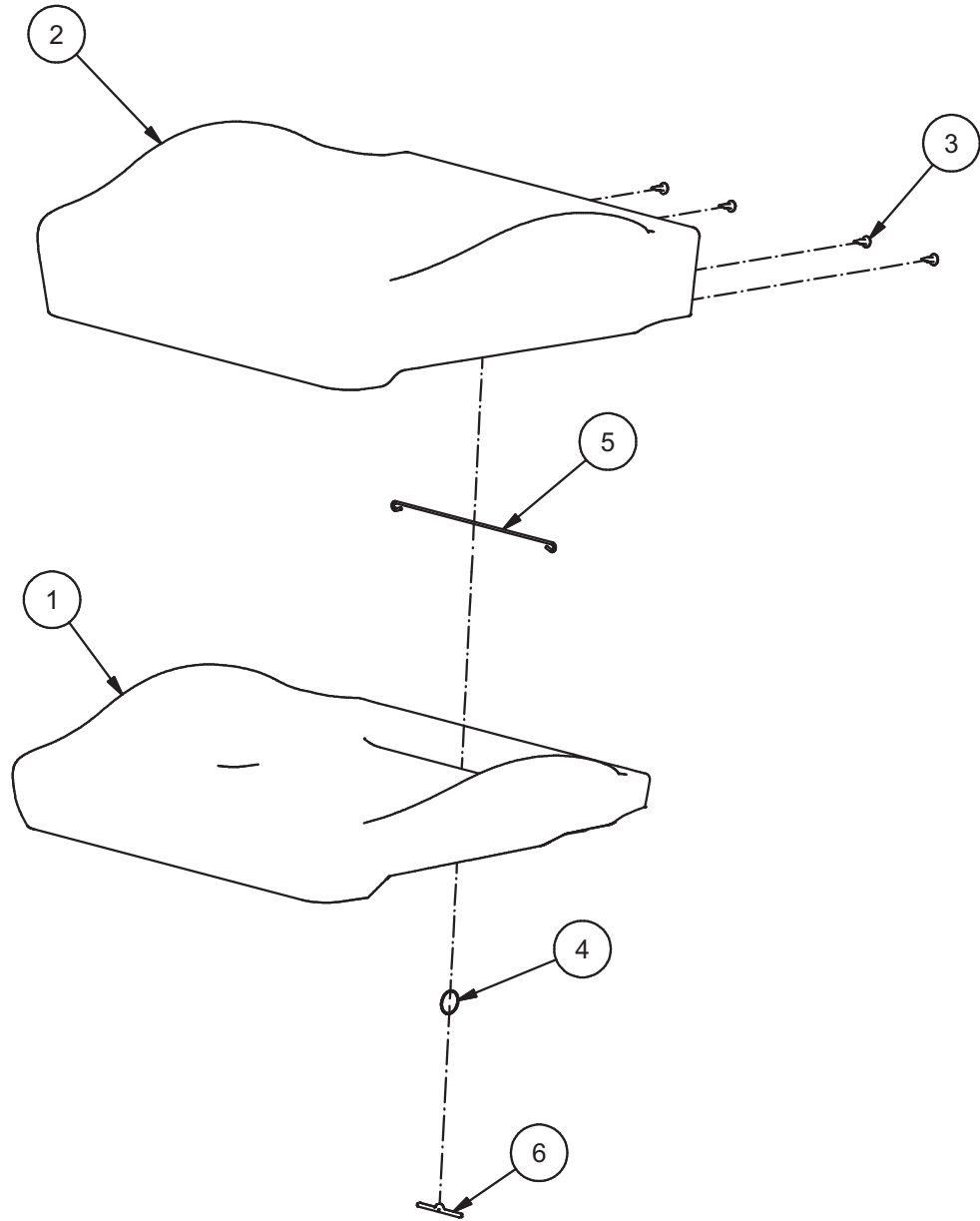


Fig.	Part. No.	Quantity	Description
1	500189	1	FOAM CUSHION
2	641329	1	TRIM CUSHION
3	500214	4	PLASTIC RIVET
4	660057	1	LOOPS 30 MM
5	620140	1	BRACKET L=230
6	621404	1	BARETT PIN



Parts Replacements List

**628574**

**TRIM KIT SEAT EPN NIGHTFALL  
7130LC4**

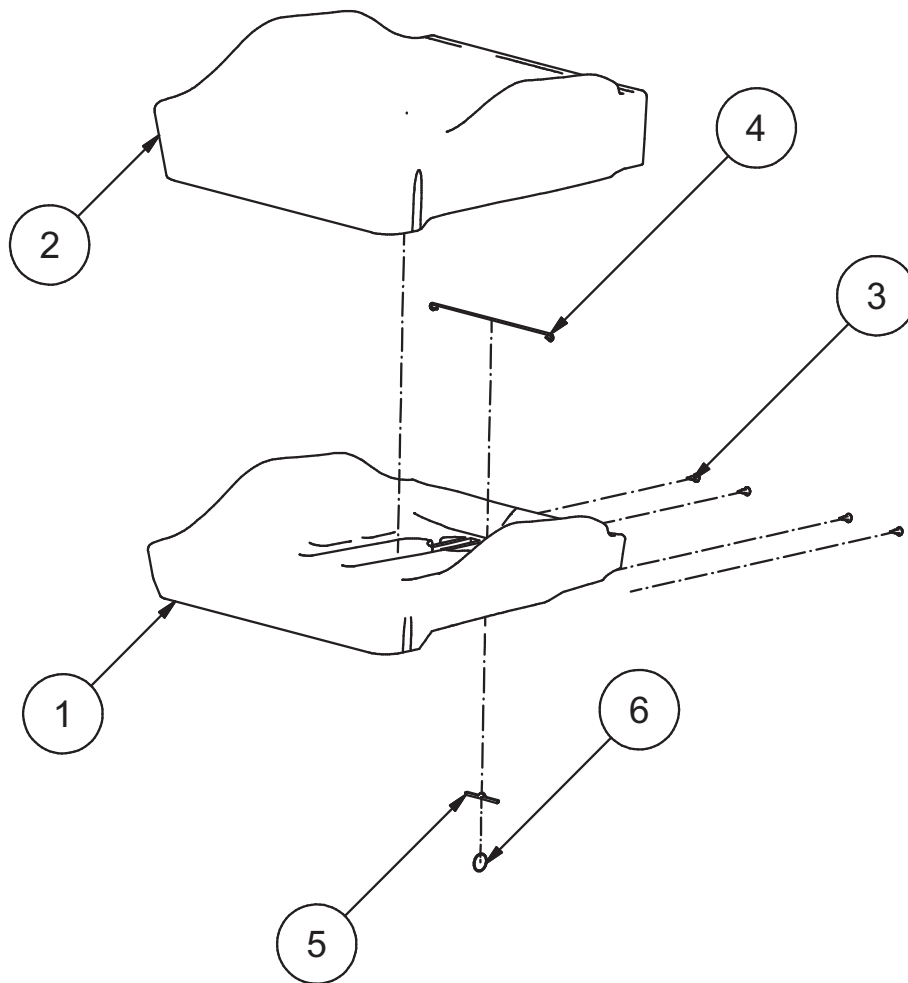
Valid from 110302 to

Doc. R1-628574

Date 110302

Rev. 0

Rev.Date



1	621388	1	FOAM CUSHION		
2	641330	1	TRIM SEAT		
3	500214	4	PLASTIC RIVET		
4	620140	1	BRACKET L=230		
5	621404	1	BARRET PIN		
6	660057	1	LOOPS 30MM		



Parts Replacements List

**628597**  
**TRIM KIT SEAT AIR 12V**  
**NIGHTFALL**

Valid from 040506 to

Doc. R1-628597

Date 120601

Rev. 0

Rev.Date

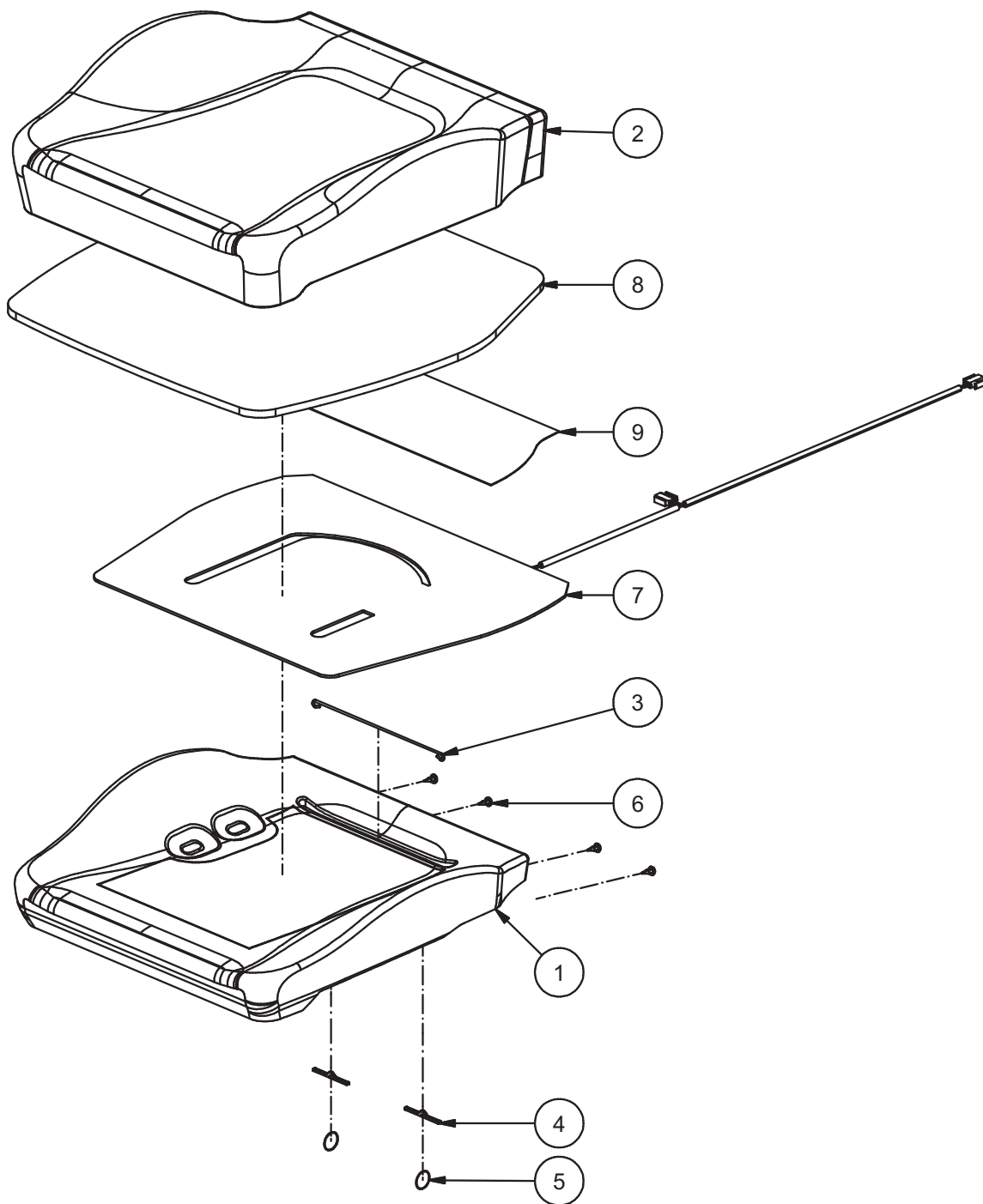


Fig.	Part. No.	Quantity	Description		
1	620453	1	FOAM SEAT CUSHION AIRVENT		
2	641329	1	TRIM CUSHION		NIGHTFALL
3	620140	1	BRACKET L=230		
4	621404	2	BARETT PIN		
5	660057	2	LOOPS 30 MM		
6	500214	4	PLASTIC RIVET		
7	621095	1	HEATING ELEMENT 12V AIRVENT		CUSHION
8	640016	1	POLYESTER WAD 10 MM SEAT		
9	640014	1	TRIM AIRVENT SEAT		





Parts Replacements List

**628598**  
**TRIM KIT SEAT AIR 24V**  
**NIGHTFALL**

Valid from 040506 to

Doc. R1-628598

Date 120531

Rev. 0

Rev.Date

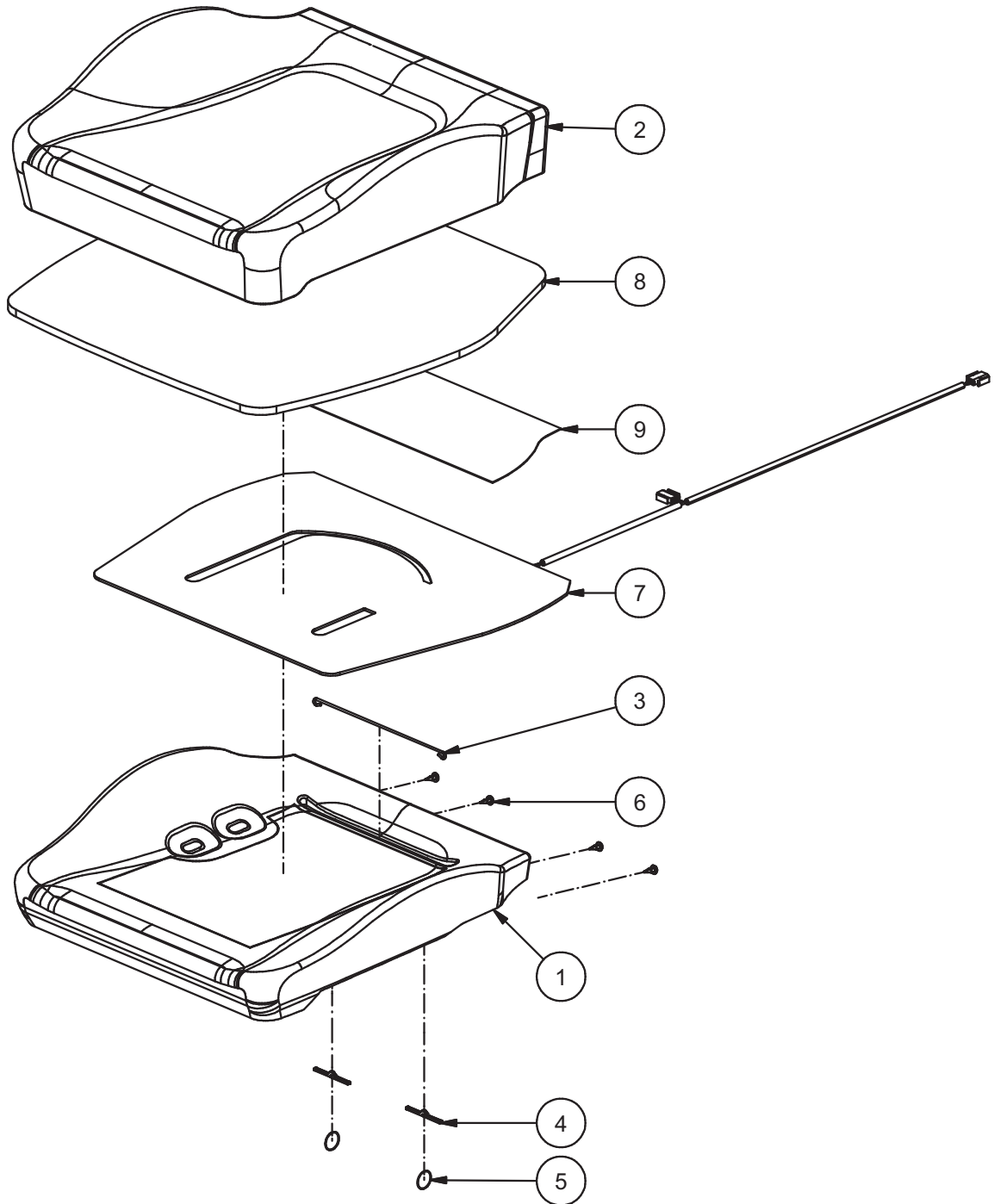


Fig.	Part. No.	Quantity	Description		
1	620453	1	FOAM SEAT CUSHION AIRVENT		
2	641329	1	TRIM CUSHION		NIGHTFALL
3	620140	1	BRACKET L=230		
4	621404	2	BARETT PIN		
5	660057	2	LOOPS 30 MM		
6	500214	4	PLASTIC RIVET		
7	621094	1	HEATING ELEMENT 24V AIRVENT		CUSHION
8	640016	1	POLYESTER WAD 10 MM SEAT		
9	640014	1	TRIM AIRVENT SEAT		



Parts Replacements List

**620313**

**TRIM KIT SEAT CUSHION ART. LEATHER GREY  
9000**

Valid from 900810 to

Doc. R1-620313

Date 120509

Rev. 0

Rev.Date

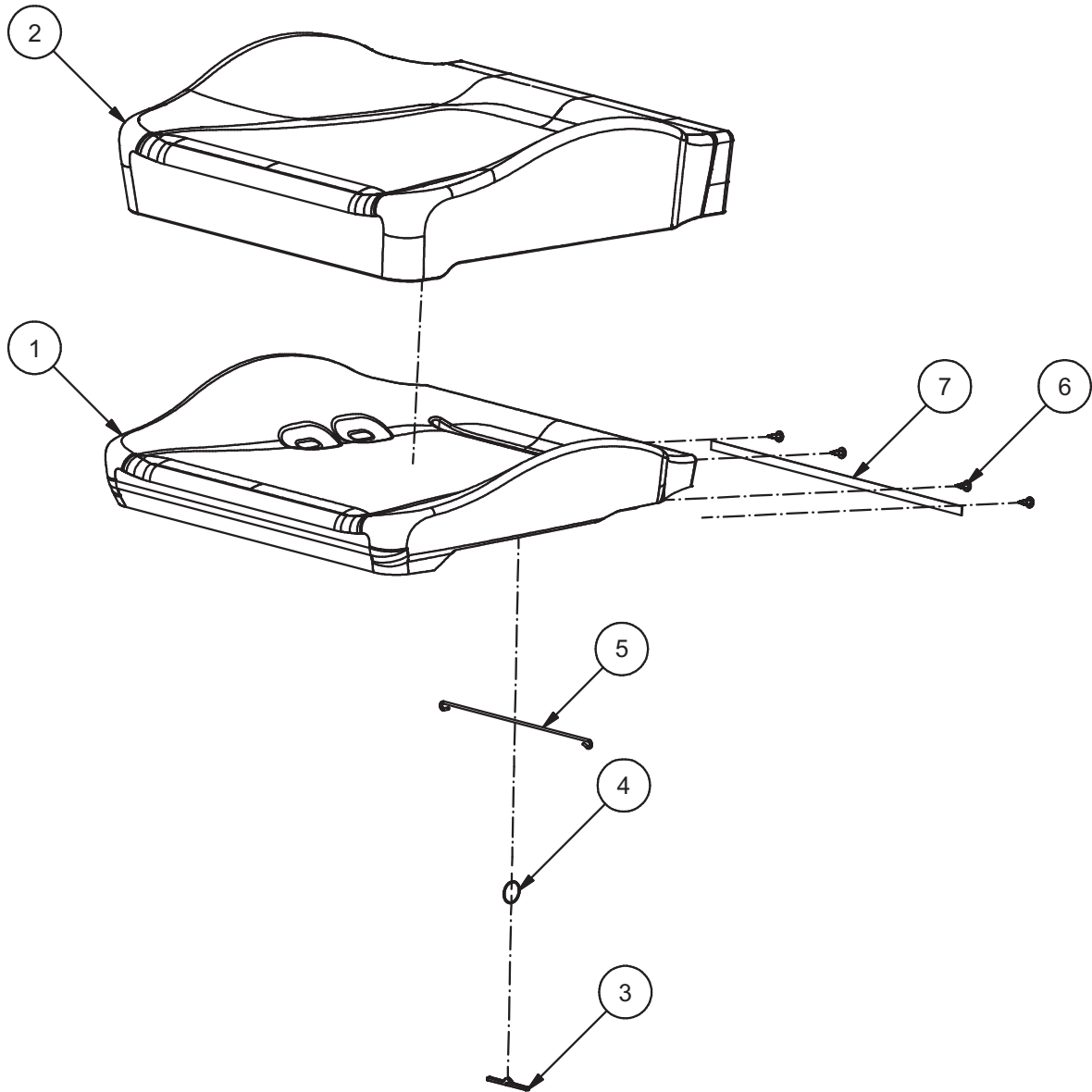


Fig.	Part. No.	Quantity	Description		
1	500190	1	FOAM CUSHION		
2	500958	1	TRIM CUSHION		ART. LEATHER GREY
3	621404	1	BARETT PIN		
4	660057	1	LOOPS 30 MM		
5	620140	1	BRACKET L=230		
6	500214	4	PLASTIC RIVET		
7	500281	1	PLASTIC STRIP		



Parts Replacements List

**620319**

**TRIM KIT SEAT CUSHION CT ART. LEA. GREY**

**9000**

Valid from 900810 to

Doc. R1-620319

Date 120509

Rev. 0

Rev.Date

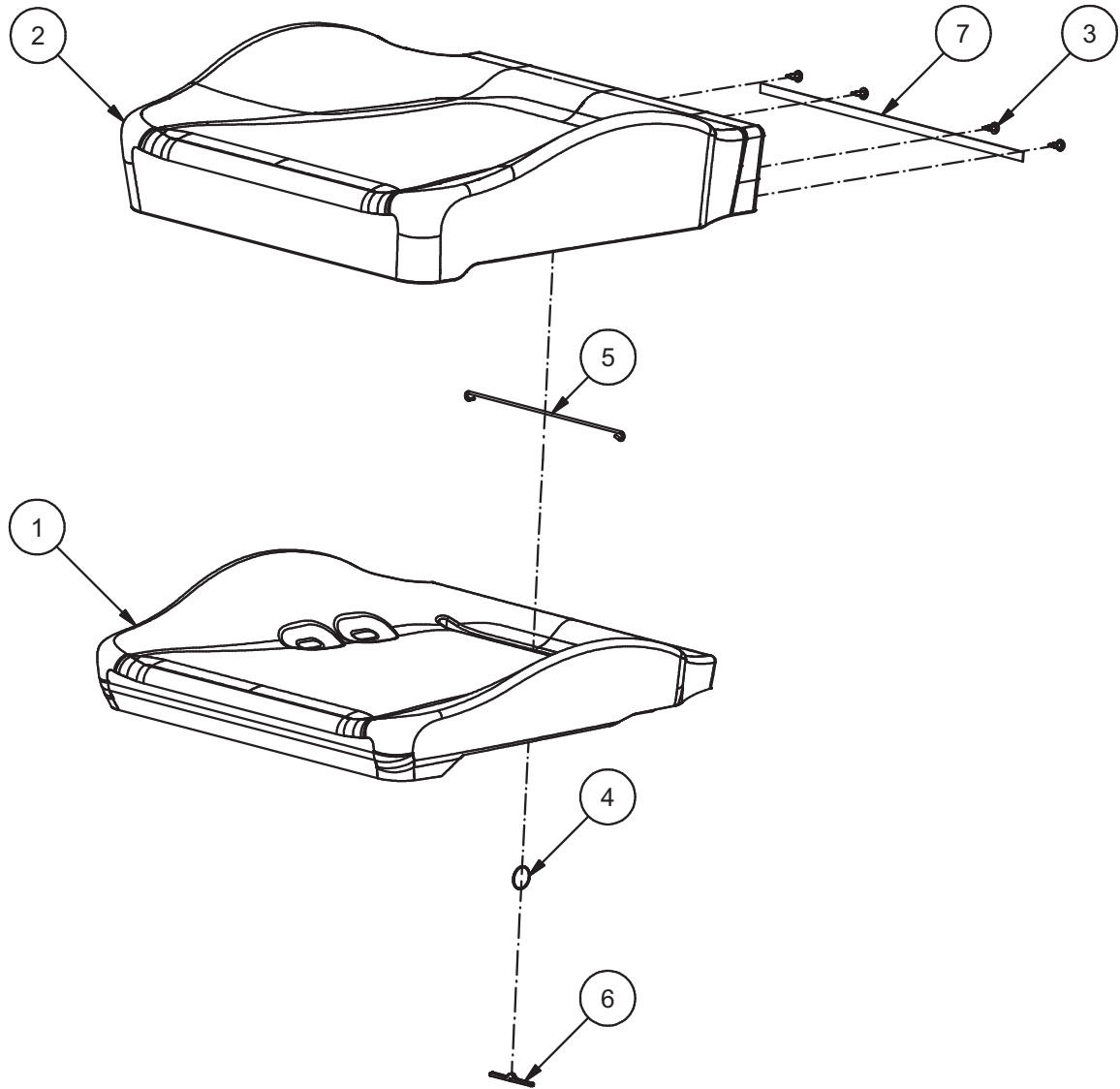


Fig.	Part. No.	Quantity	Description		
1	500189	1	FOAM CUSHION		
2	500958	1	TRIM CUSHION		ART. LEATHER GREY
3	500214	4	PLASTIC RIVET		
4	660057	1	LOOPS 30 MM		
5	620140	1	BRACKET L=230		
6	621404	1	BARETT PIN		
7	500281	1	PLASTIC STRIP		



Parts Replacements List

**620323**

**TRIM KIT SEAT CUSHION LEATHER GREY  
9000**

Valid from 900810 to

Doc. R1-620323

Date 120613

Rev. 0

Rev.Date

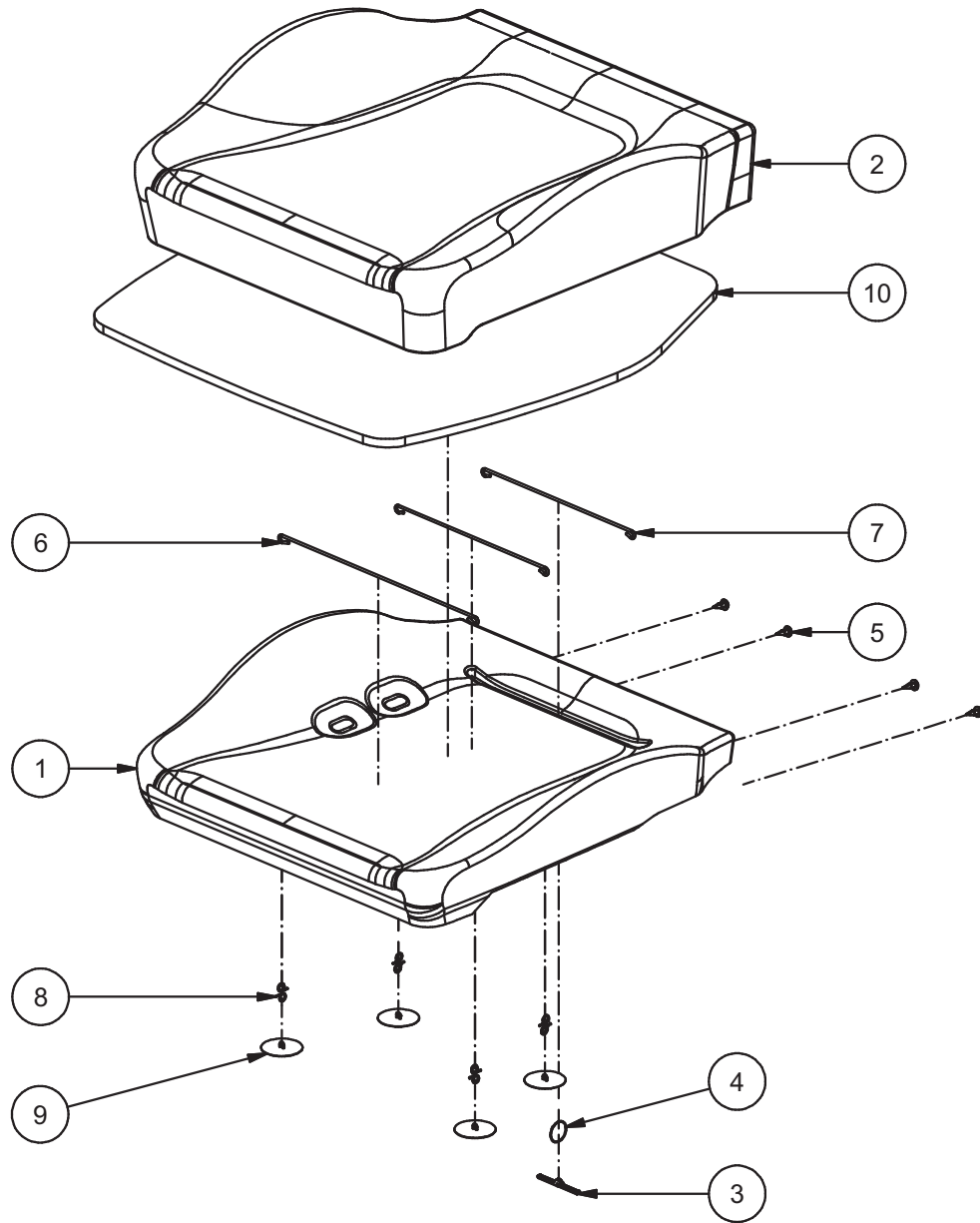


Fig.	Part. No.	Quantity	Description		
1	500190	1	FOAM CUSHION		
2	500586	1	TRIM CUSHION		LEATHER GREY BALTIQUE
3	621404	1	BARETT PIN		
4	660057	1	LOOPS 30 MM		
5	500214	4	PLASTIC RIVET		
6	620115	1	BRACKET L=300		
7	620140	2	BRACKET L=230		
8	660096	4	S-HOOK		L=22 Ø=1,5
9	500650	4	BACK BUTTON		Ø=22 WHITE
10	640016	1	POLYESTER WAD 10 MM SEAT		



Parts Replacements List

**620329**

**TRIM KIT SEAT CUSHION LEATHER GREY**

**9000**

Valid from 900810 to

Doc. R1-620329

Date 120613

Rev. 0

Rev.Date

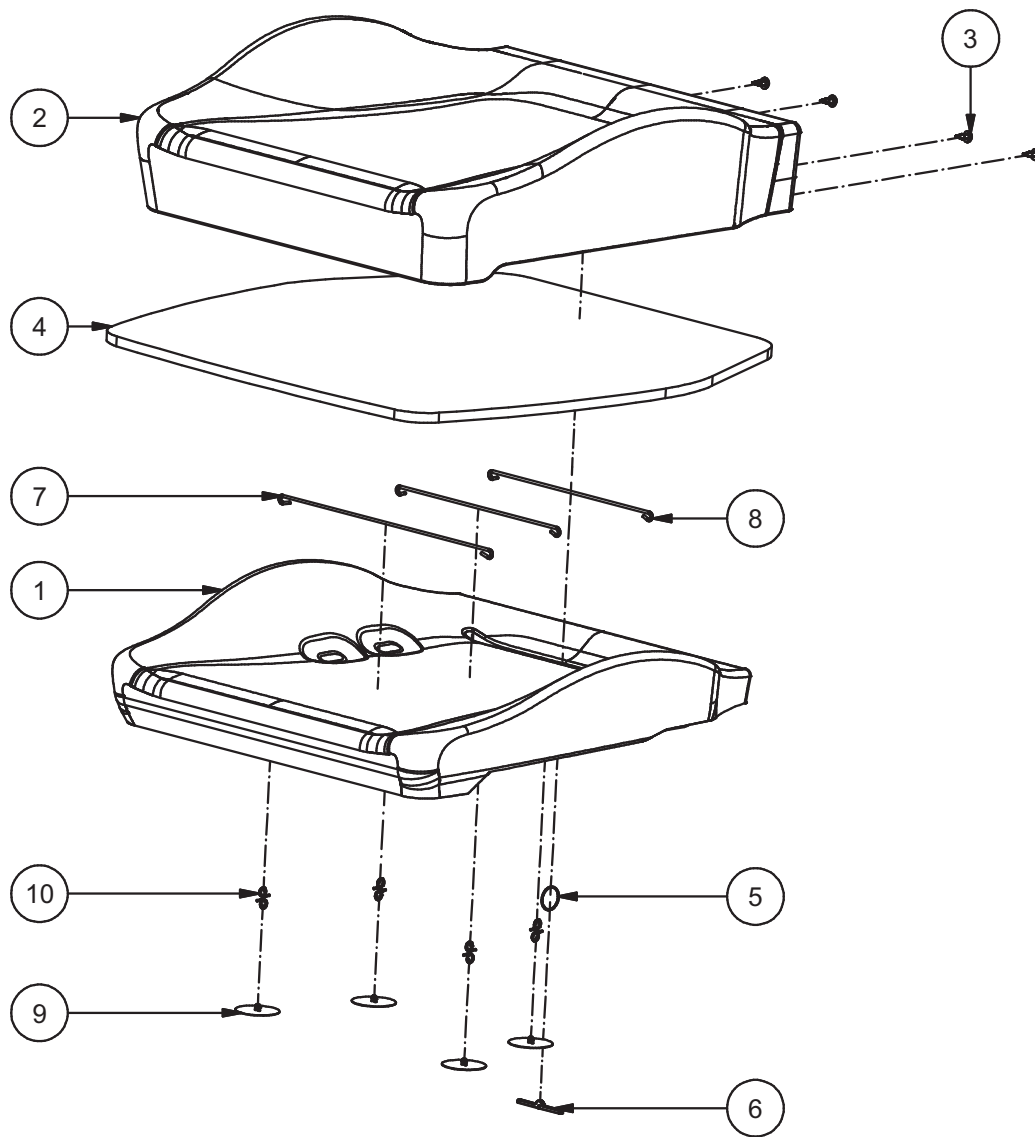


Fig.	Part. No.	Quantity	Description		
1	500189	1	FOAM CUSHION		
2	500586	1	TRIM CUSHION		LEATHER GREY BALTIQUE
3	500214	4	PLASTIC RIVET		
4	640016	1	POLYESTER WAD 10 MM SEAT		
5	660057	1	LOOPS 30 MM		
6	621404	1	BARETT PIN		
7	620115	1	BRACKET L=300		
8	620140	2	BRACKET L=230		
9	500650	4	BACK BUTTON		Ø=22 WHITE
10	660096	4	S-HOOK		L=22 Ø=1,5



Parts Replacements List

**621133**  
**TRIM KIT SEAT AIR 12V**  
**CAMBORNE**

Valid from 960308 to

Doc. R1-621133

Date 120613

Rev. 0

Rev.Date

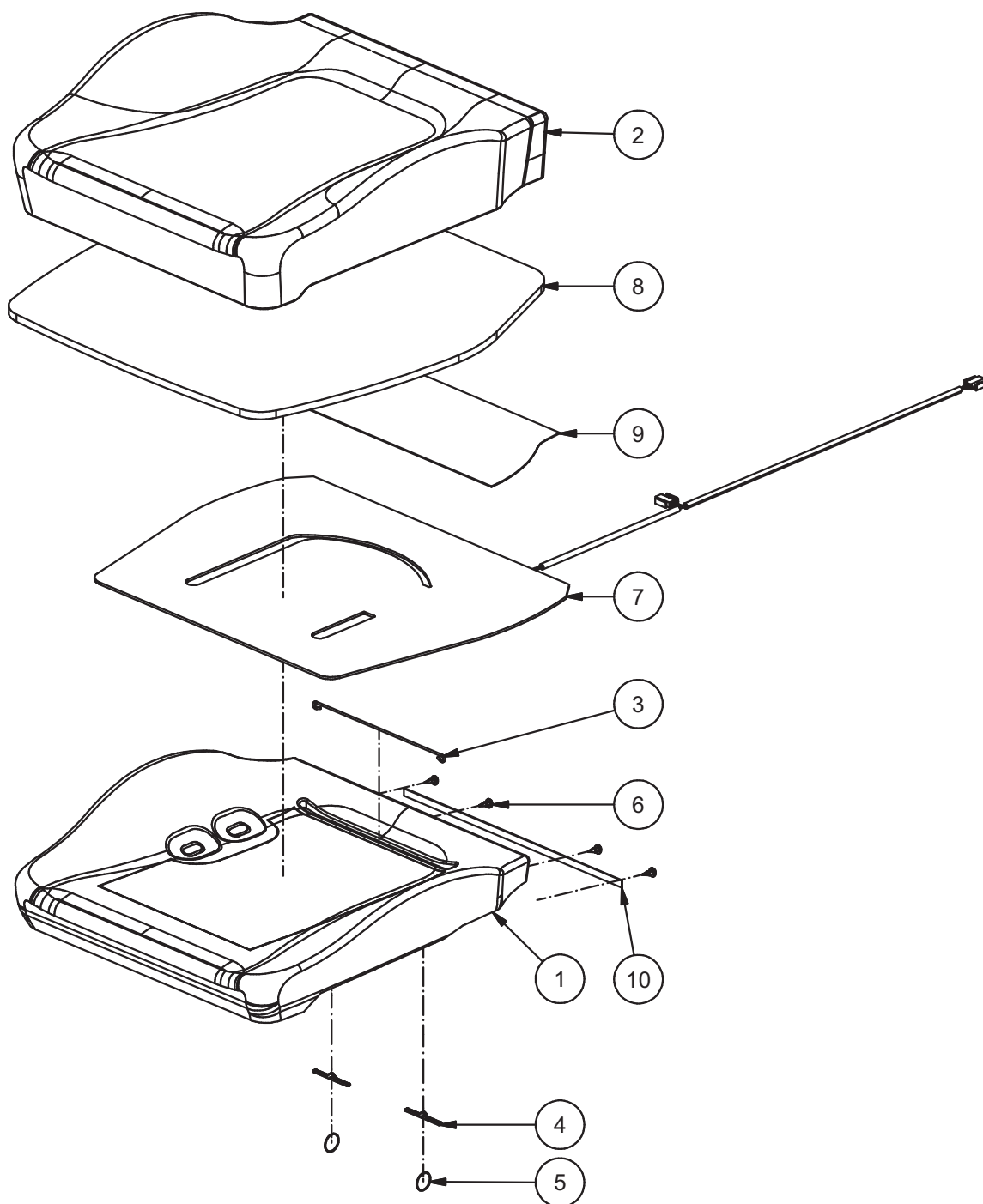


Fig.	Part. No.	Quantity	Description		
1	620453	1	FOAM SEAT CUSHION AIRVENT		
2	640467	1	TRIM CUSHION		CAMBORNE
3	620140	1	BRACKET L=230		
4	621404	2	BARETT PIN		
5	660057	2	LOOPS 30 MM		
6	500214	4	PLASTIC RIVET		
7	621095	1	HEATING ELEMENT 12V AIRVENT		CUSHION
8	640016	1	POLYESTER WAD 10 MM SEAT		
9	640014	1	TRIM AIRVENT SEAT		
10	500281	1	PLASTIC STRIP		



Parts Replacements List

**628104**  
**TRIM KIT SEAT AIR 24V**  
**CAMBORNE**

Valid from 030108 to

Doc. R1-628104

Date 120613

Rev. 0

Rev.Date

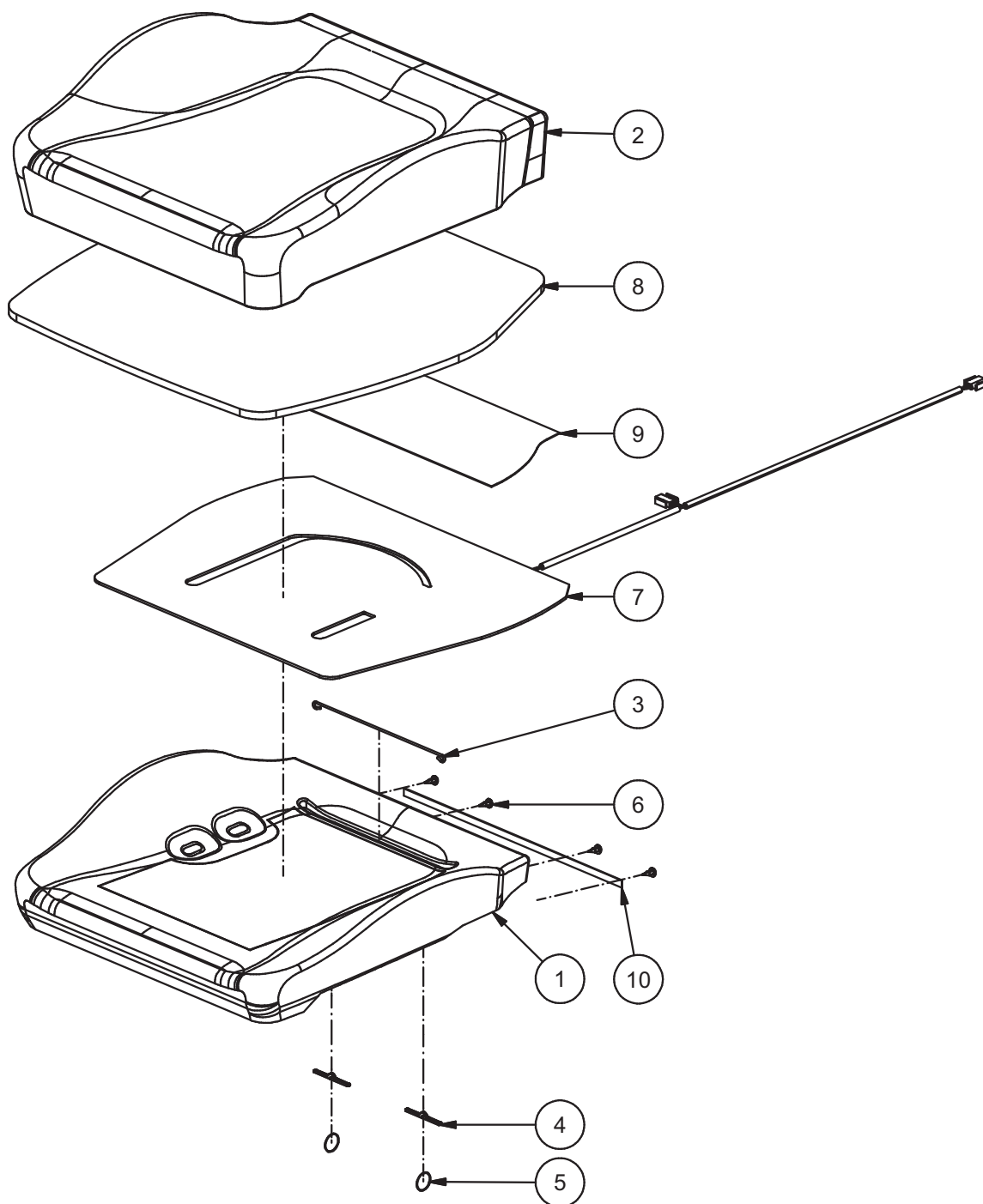


Fig.	Part. No.	Quantity	Description		
1	620453	1	FOAM SEAT CUSHION AIRVENT		
2	640467	1	TRIM CUSHION		CAMBORNE
3	620140	1	BRACKET L=230		
4	621404	2	BARETT PIN		
5	660057	2	LOOPS 30 MM		
6	500214	4	PLASTIC RIVET		
7	621094	1	HEATING ELEMENT 24V AIRVENT		CUSHION
8	640016	1	POLYESTER WAD 10 MM SEAT		
9	640014	1	TRIM AIRVENT SEAT		
10	500281	1	PLASTIC STRIP		



Parts Replacements List

**620903**

**TRIM KIT SEAT CUSHION PLUSH BLUE 84  
9000**

Valid from 930208 to

Doc. R1-620903

Date 120509

Rev. 0

Rev.Date

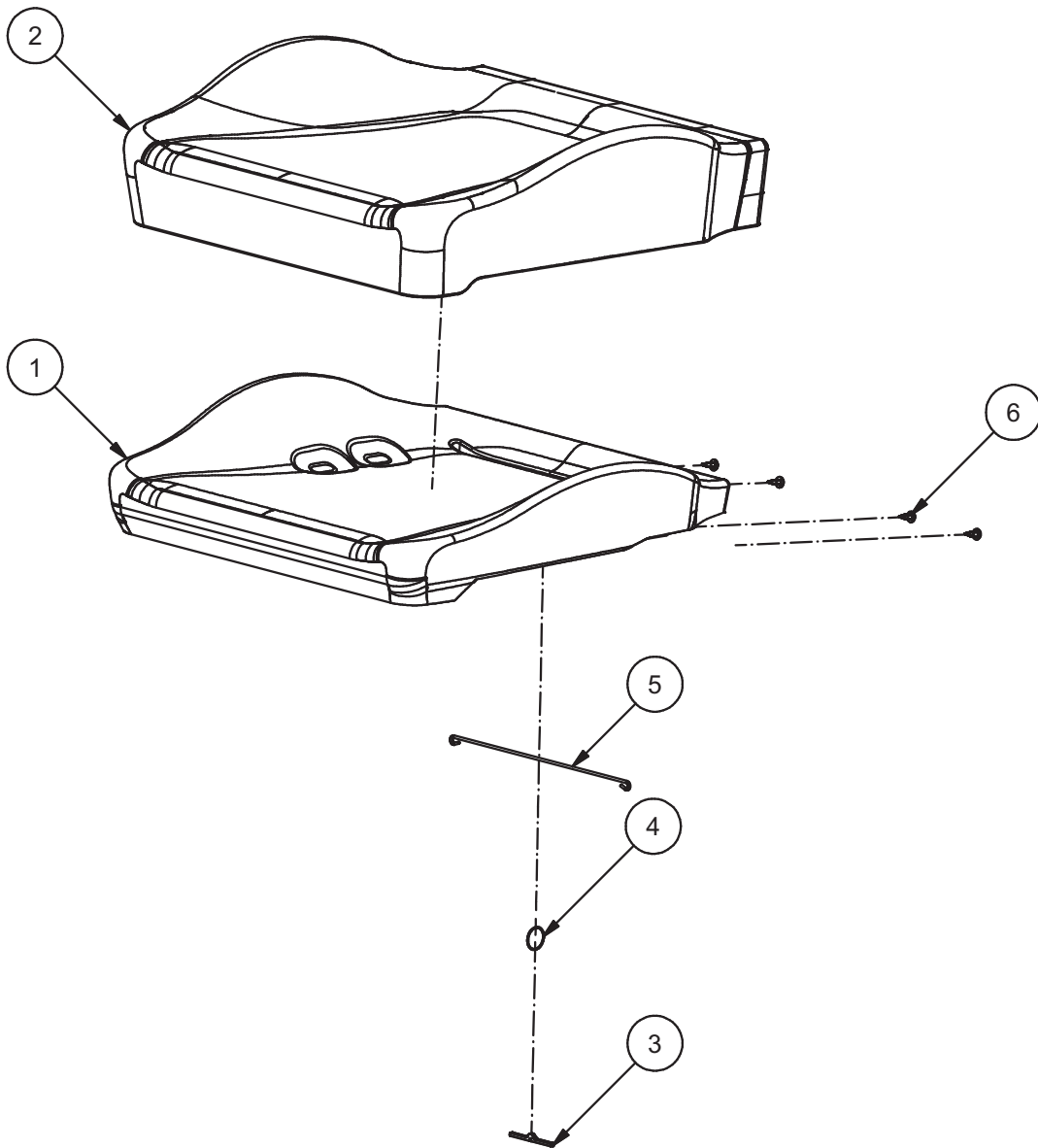


Fig.	Part. No.	Quantity	Description		
1	500190	1	FOAM CUSHION		
2	640315	1	TRIM CUSHION		PLUSH BLUE 84
3	621404	1	BARETT PIN		
4	660057	1	LOOPS 30 MM		
5	620114	1	BRACKET L=260		
6	500214	4	PLASTIC RIVET		





Parts Replacements List

**620909**

**TRIM KIT SEAT CUSHION CT PLUSH BLUE 84  
9000**

Valid from 930208 to

Doc. R1-620909

Date 120511

Rev. 0

Rev.Date

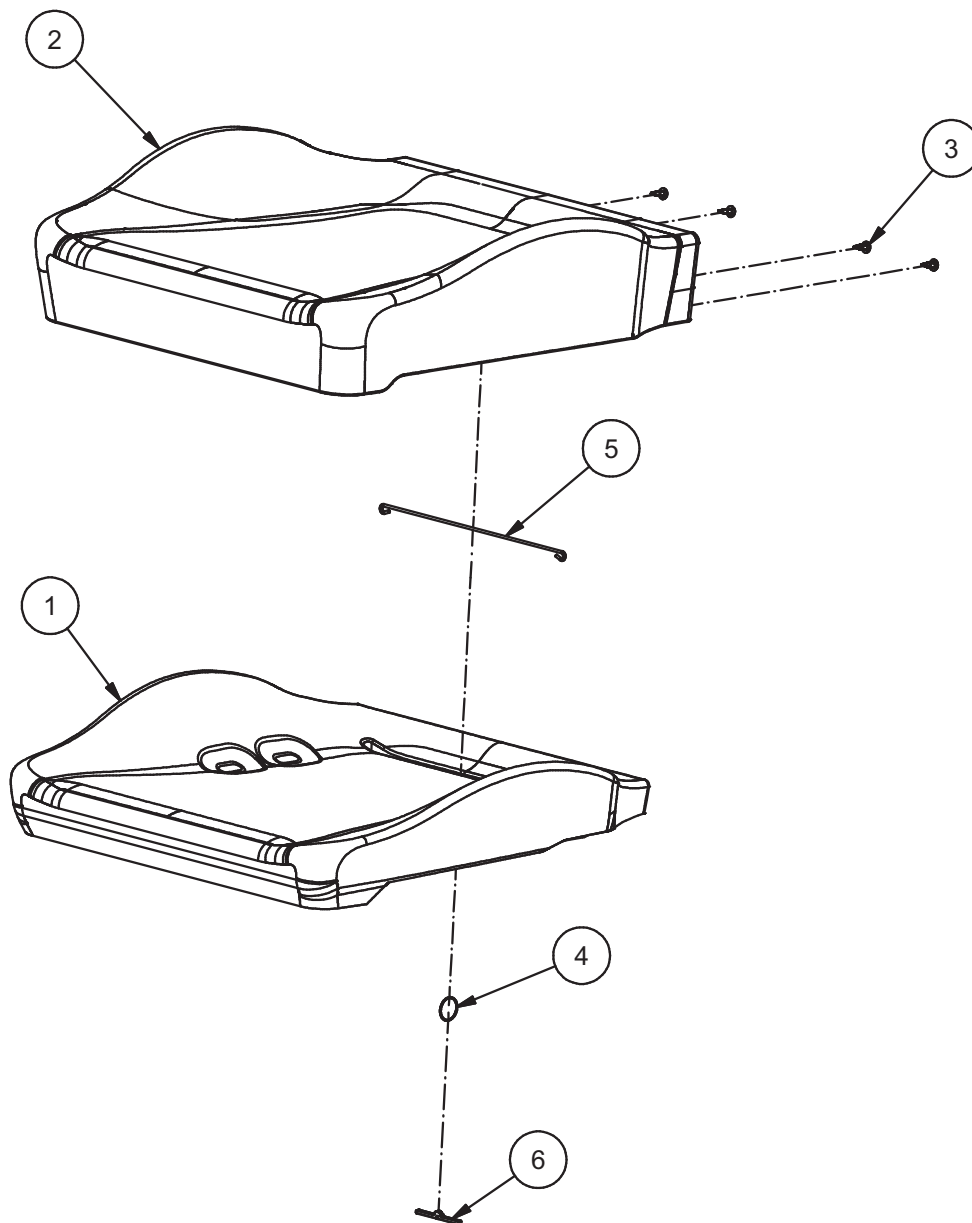


Fig.	Part. No.	Quantity	Description
1	500189	1	FOAM CUSHION
2	640315	1	TRIM CUSHION
3	500214	4	PLASTIC RIVET
4	660057	1	LOOPS 30 MM
5	620114	1	BRACKET L=260
6	621404	1	BARETT PIN



Parts Replacements List

**620923**

**TRIM KIT SEAT CUSHION PLUSH RED 82  
9000**

Valid from 930208 to

Doc. R1-620923

Date 120612

Rev. 0

Rev.Date

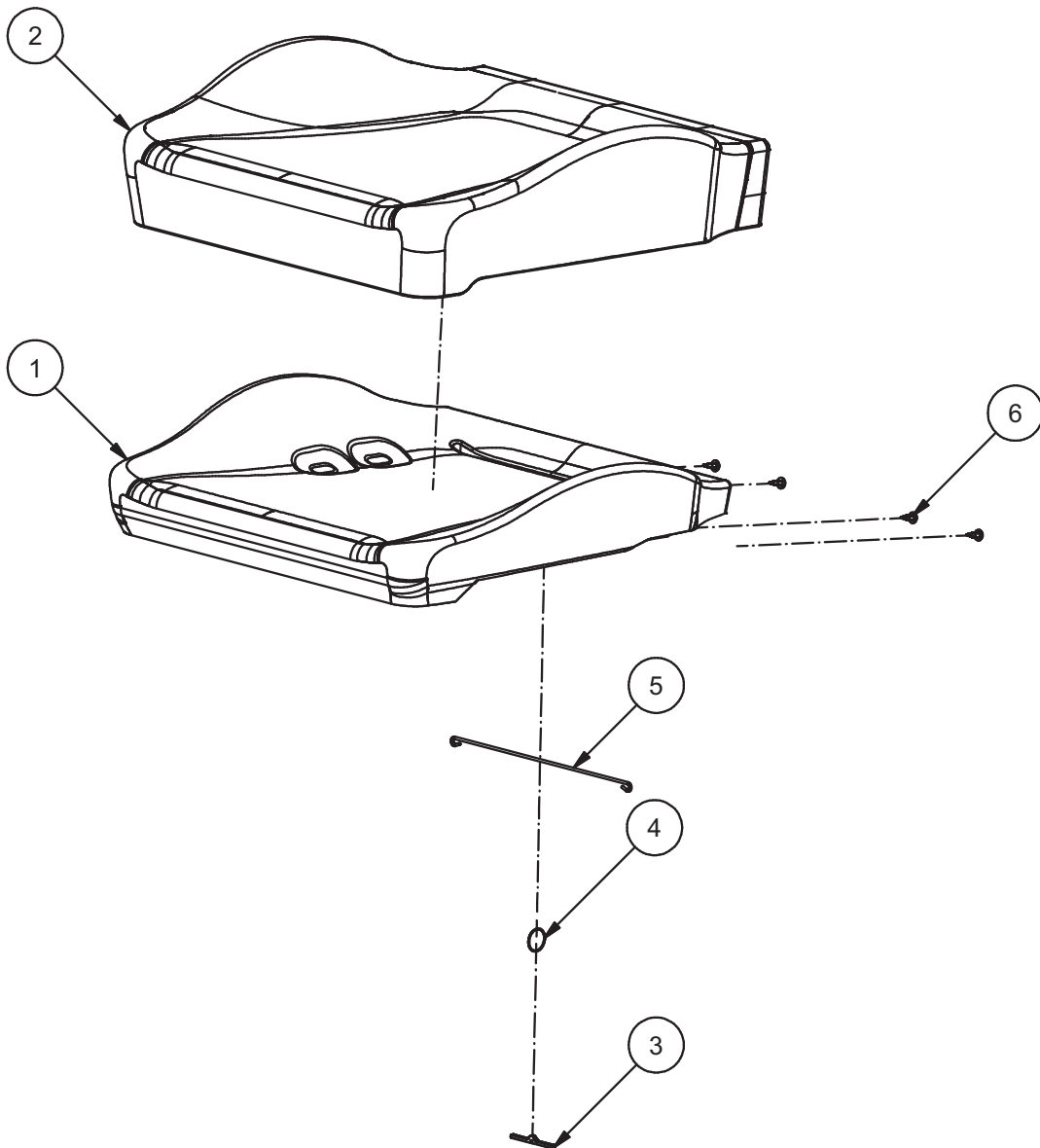


Fig.	Part. No.	Quantity	Description
1	500190	1	FOAM CUSHION
2	640275	1	TRIM CUSHION
3	621404	1	BARETT PIN
4	660057	1	LOOPS 30 MM
5	620114	1	BRACKET L=260
6	500214	4	PLASTIC RIVET



Parts Replacements List

**620929**

**TRIM KIT SEAT CUSHION CT PLUSH RED 82  
9000**

Valid from 930208 to

Doc. R1-620929

Date 120611

Rev. 0

Rev.Date

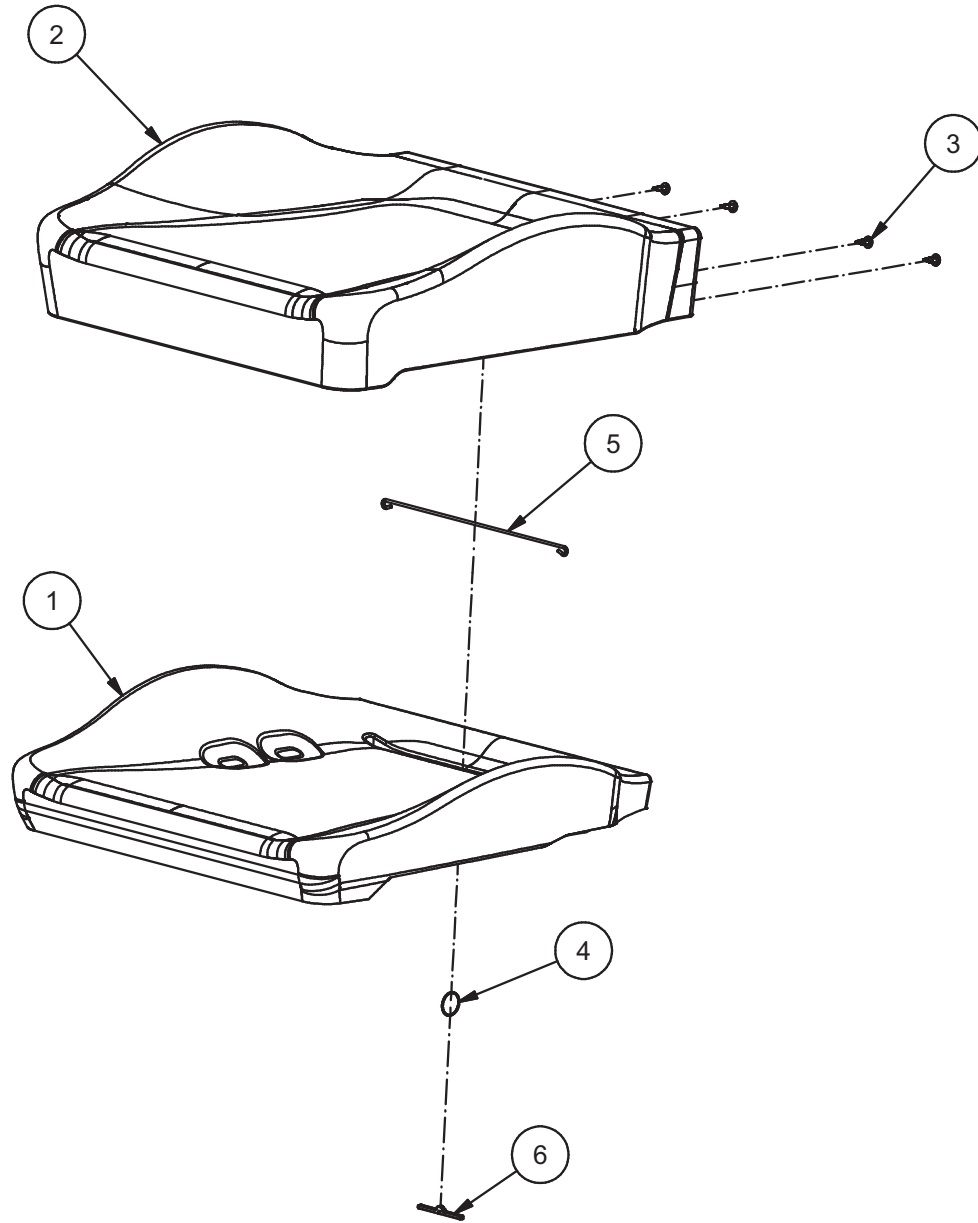


Fig.	Part. No.	Quantity	Description
1	500189	1	FOAM CUSHION
2	640275	1	TRIM CUSHION
3	500214	4	PLASTIC RIVET
4	660057	1	LOOPS 30 MM
5	620114	1	BRACKET L=260
6	621404	1	BARETT PIN



Parts Replacements List

**620943**

**TRIM KIT SEAT CUSHION PLUSH GREY 89  
9000**

Valid from 930208 to

Doc. R1-620943

Date 120511

Rev. 0

Rev.Date

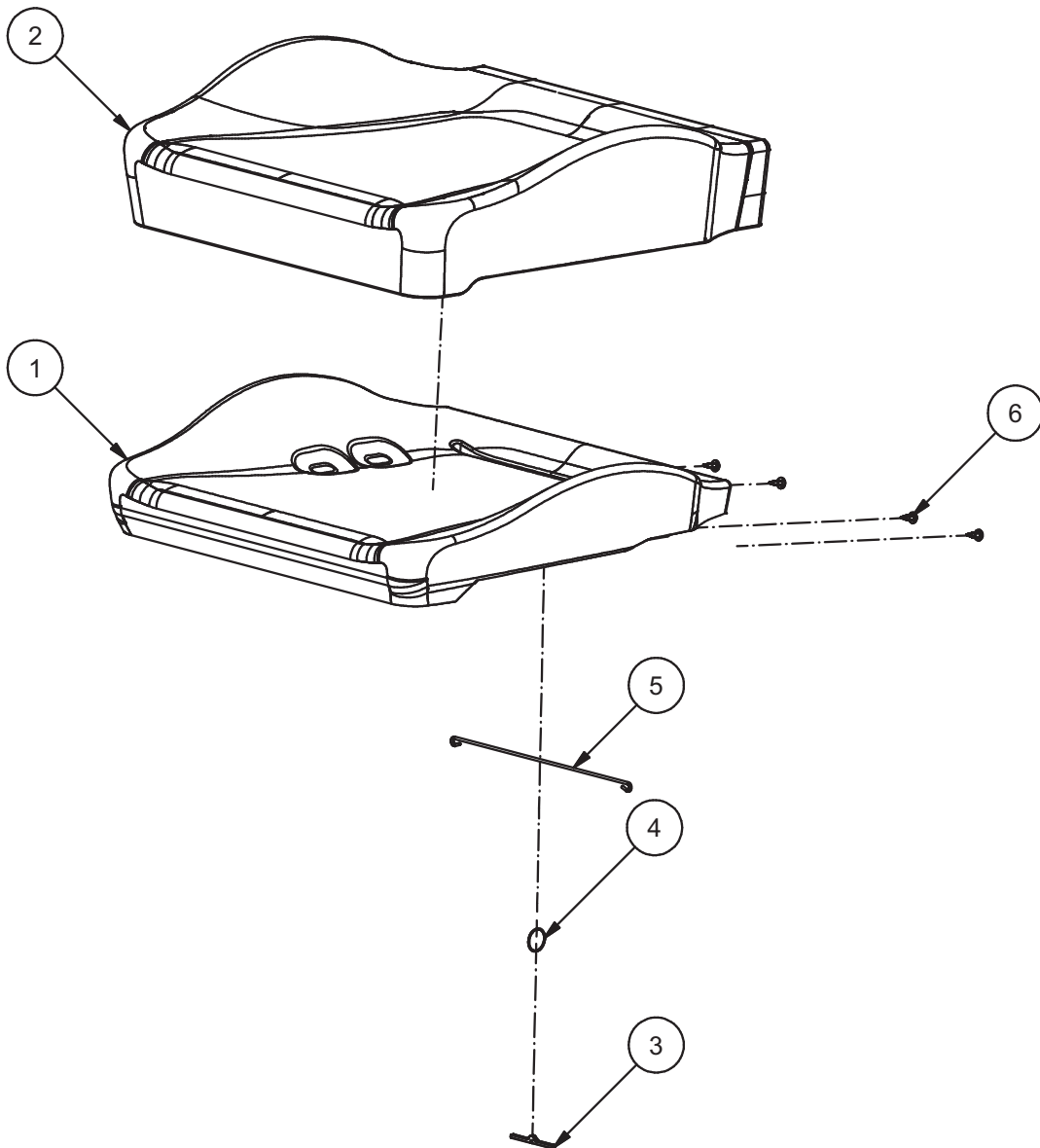


Fig.	Part. No.	Quantity	Description
1	500190	1	FOAM CUSHION
2	640335	1	TRIM CUSHION
3	621404	1	BARETT PIN
4	660057	1	LOOPS 30 MM
5	620114	1	BRACKET L=260
6	500214	4	PLASTIC RIVET



Parts Replacements List

**620949**

**TRIM KIT SEAT CUSHION CT PLUSH GREY 89  
9000**

Valid from 930208 to

Doc. R1-620949

Date 120511

Rev. 0

Rev.Date

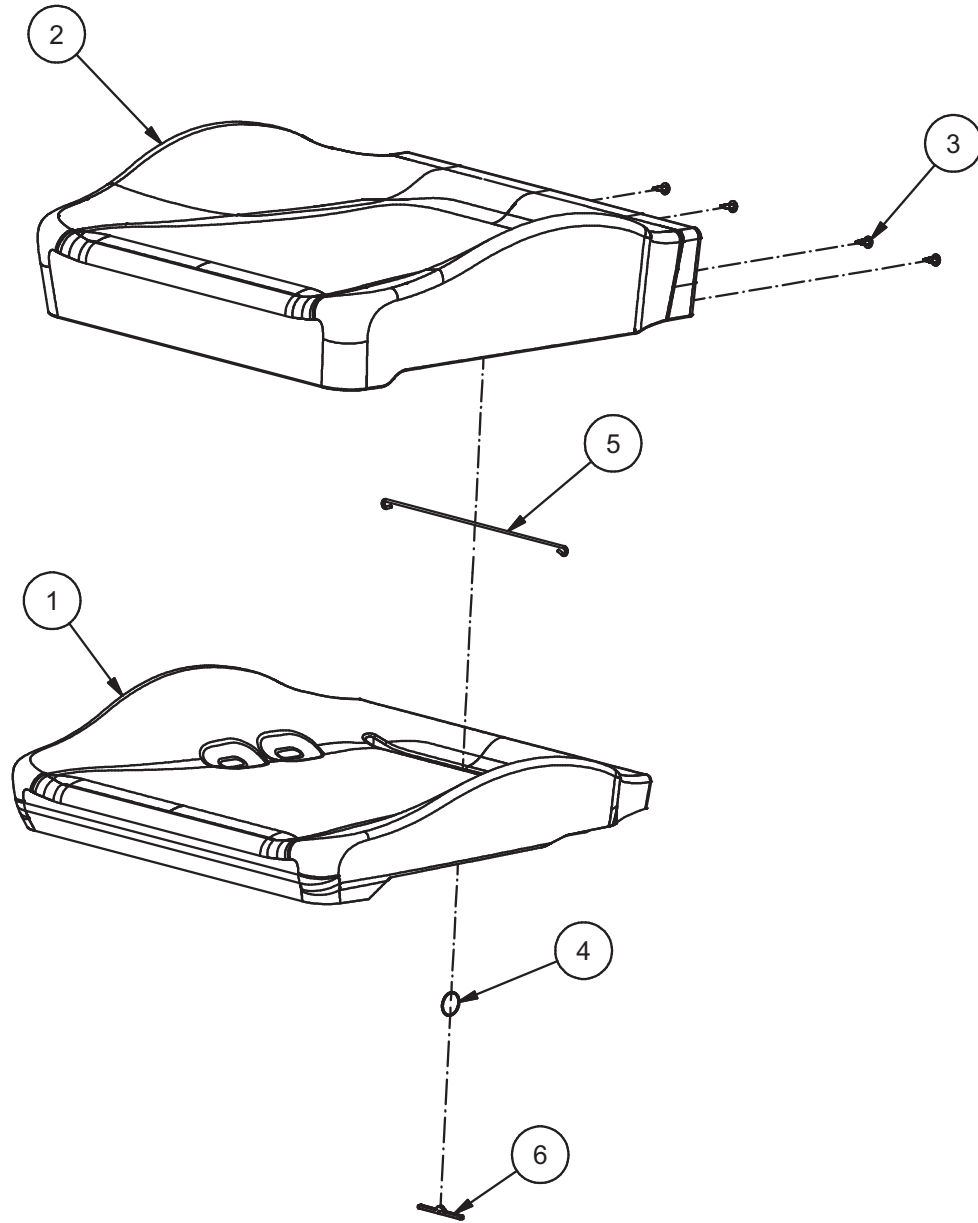


Fig.	Part. No.	Quantity	Description		
1	500189	1	FOAM CUSHION		
2	640335	1	TRIM CUSHION		PLUSH GREY 89
3	500214	4	PLASTIC RIVET		
4	660057	1	LOOPS 30 MM		
5	620114	1	BRACKET L=260		
6	621404	1	BARETT PIN		



Parts Replacements List

**620963**

**TRIM KIT SEAT CUSHION PLUSH BLACK 83  
9000**

Valid from 930208 to

Doc. R1-620963

Date 120511

Rev. 0

Rev.Date

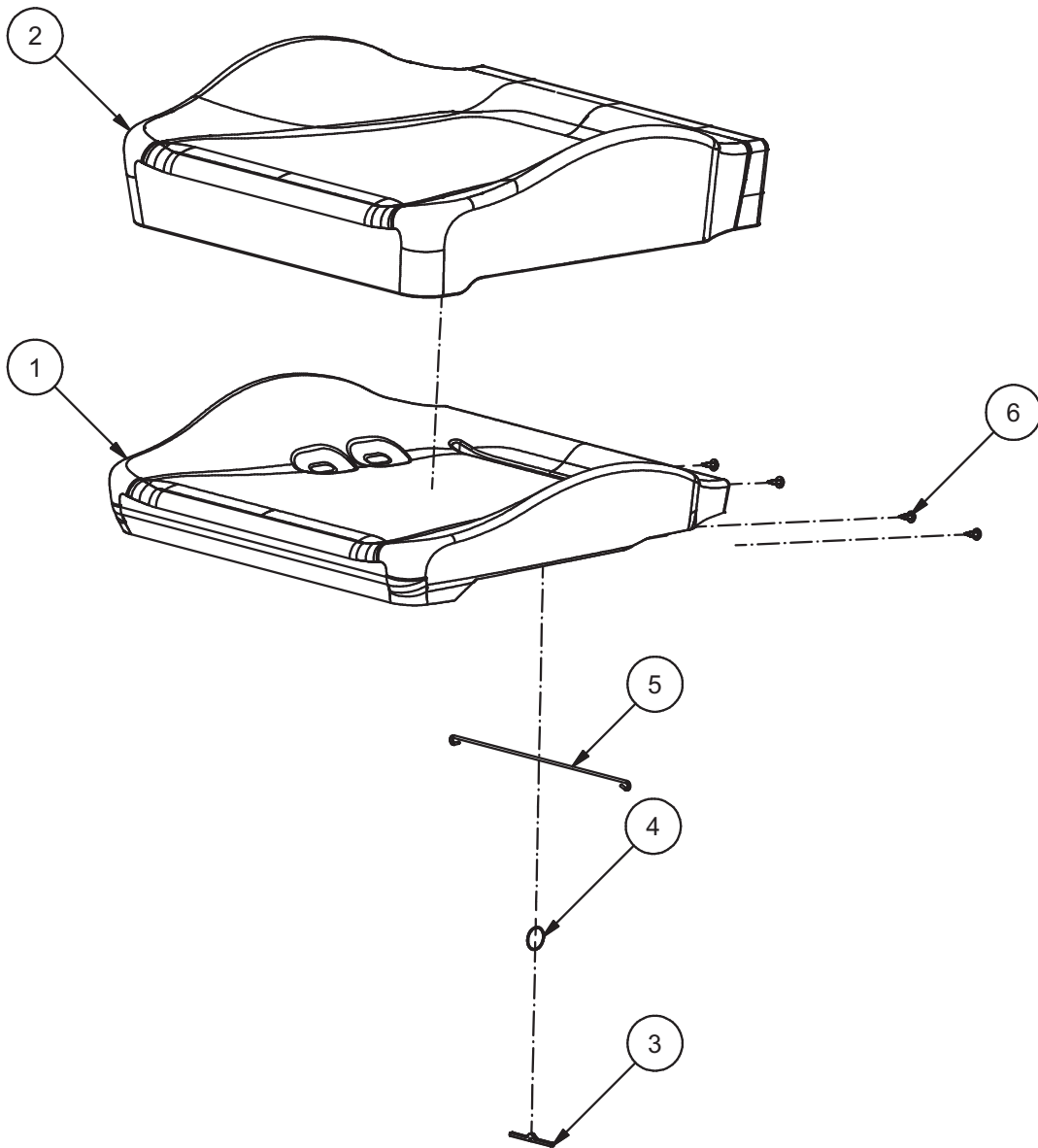


Fig.	Part. No.	Quantity	Description
1	500190	1	FOAM CUSHION
2	640295	1	TRIM CUSHION
3	621404	1	BARETT PIN
4	660057	1	LOOPS 30 MM
5	620114	1	BRACKET L=260
6	500214	4	PLASTIC RIVET



Parts Replacements List

**620969**

**TRIM KIT SEAT CUSHION CT PLUSH BLACK 83  
9000**

Valid from 920504 to

Doc. R1-620969

Date 120511

Rev. 0

Rev.Date

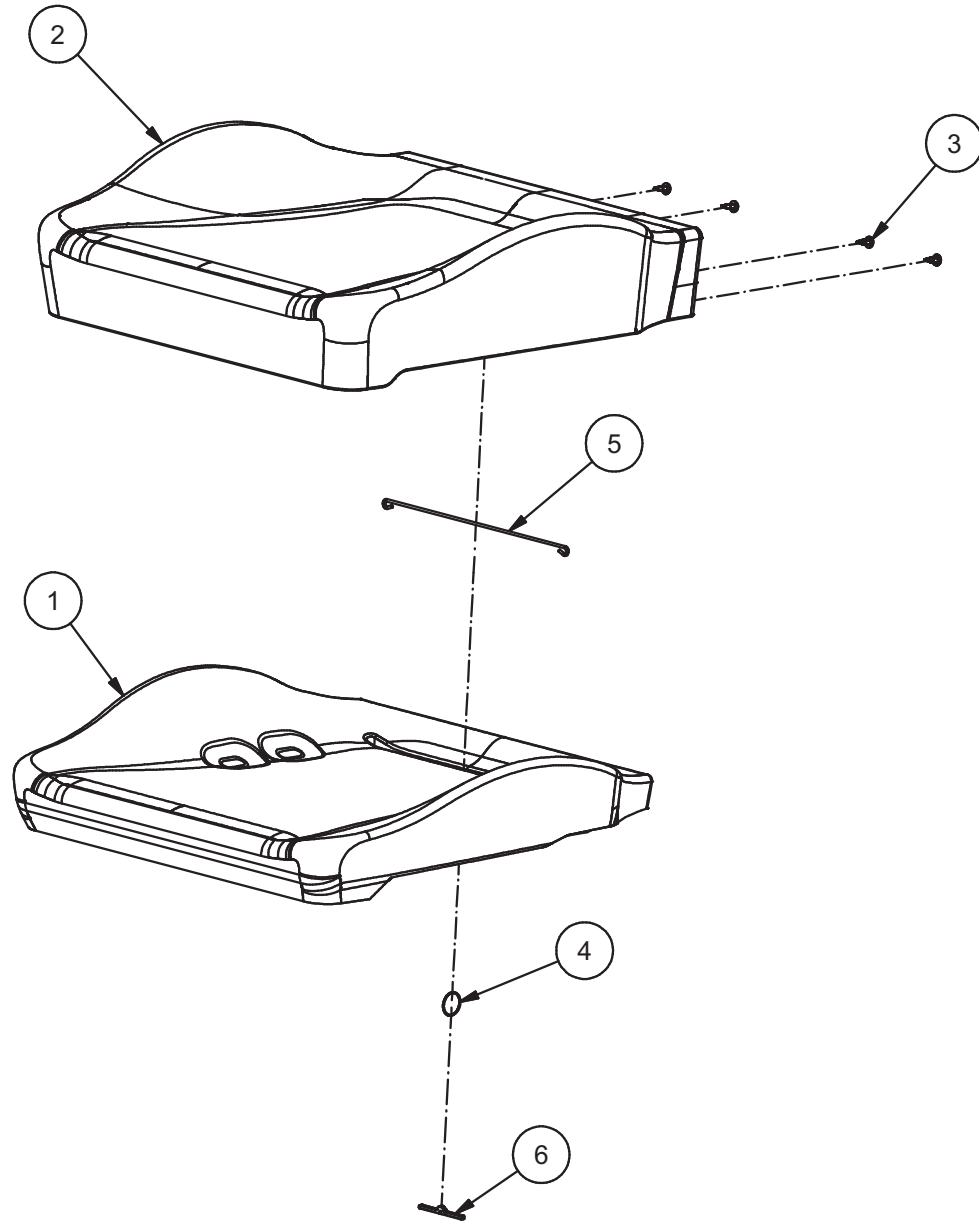


Fig.	Part. No.	Quantity	Description
1	500189	1	FOAM CUSHION
2	640295	1	TRIM CUSHION
3	500214	4	PLASTIC RIVET
4	660057	1	LOOPS 30 MM
5	620114	1	BRACKET L=260
6	621404	1	BARETT PIN



Parts Replacements List

**628588**

**TRIM KIT BACKREST 640 NIGHTFALL  
9000**

Valid from 040506 to

Doc. R1-628588

Date 100928

Rev. 0

Rev.Date

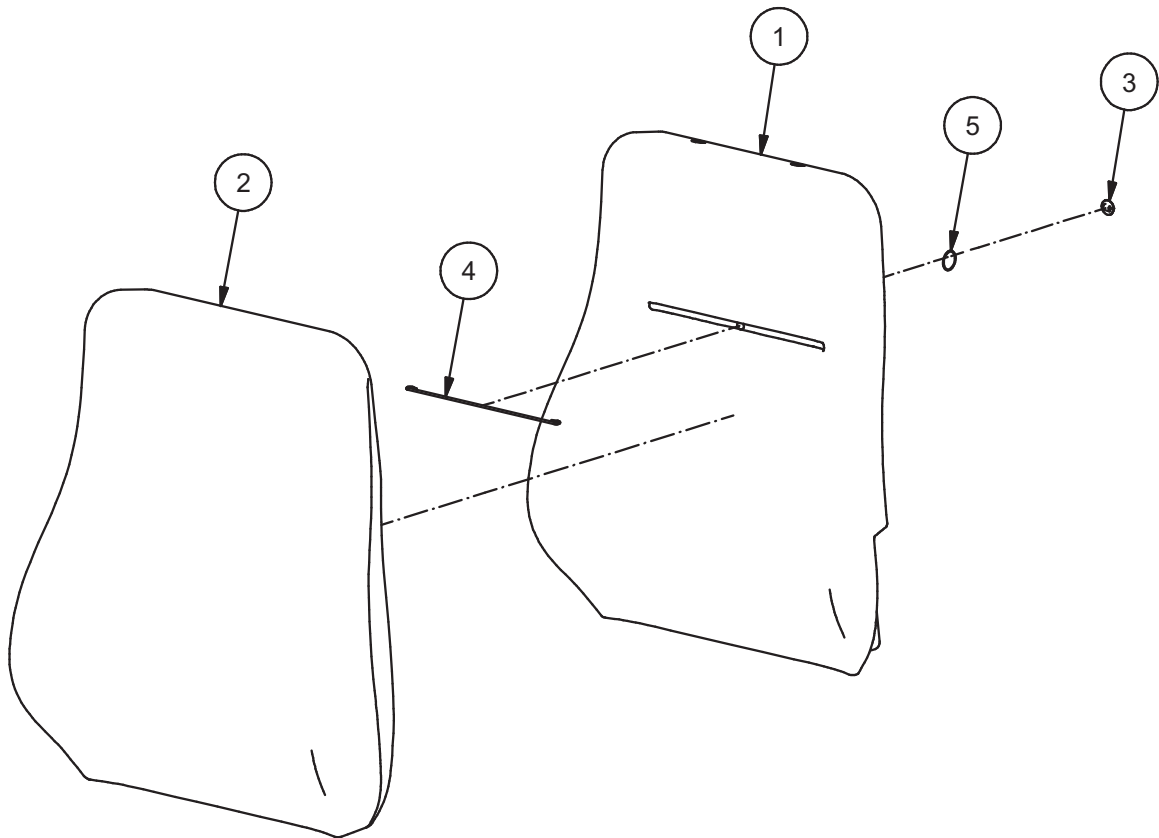


Fig.	Part. No.	Quantity	Description		
1	500191	1	FOAM BACKREST		
2	641323	1	TRIM BACKREST 640		NIGHTFALL
3	660054	1	BUTTOM SPK		
4	620140	1	BRACKET L=230		
5	660057	1	LOOPS 30 MM		





Parts Replacements List

**628592**

**TRIM KIT BACKREST 640 EPN NIGHTFALL  
9000**

Valid from 040506 to

Doc. R1-628592

Date 1201016

Rev. 0

Rev.Date

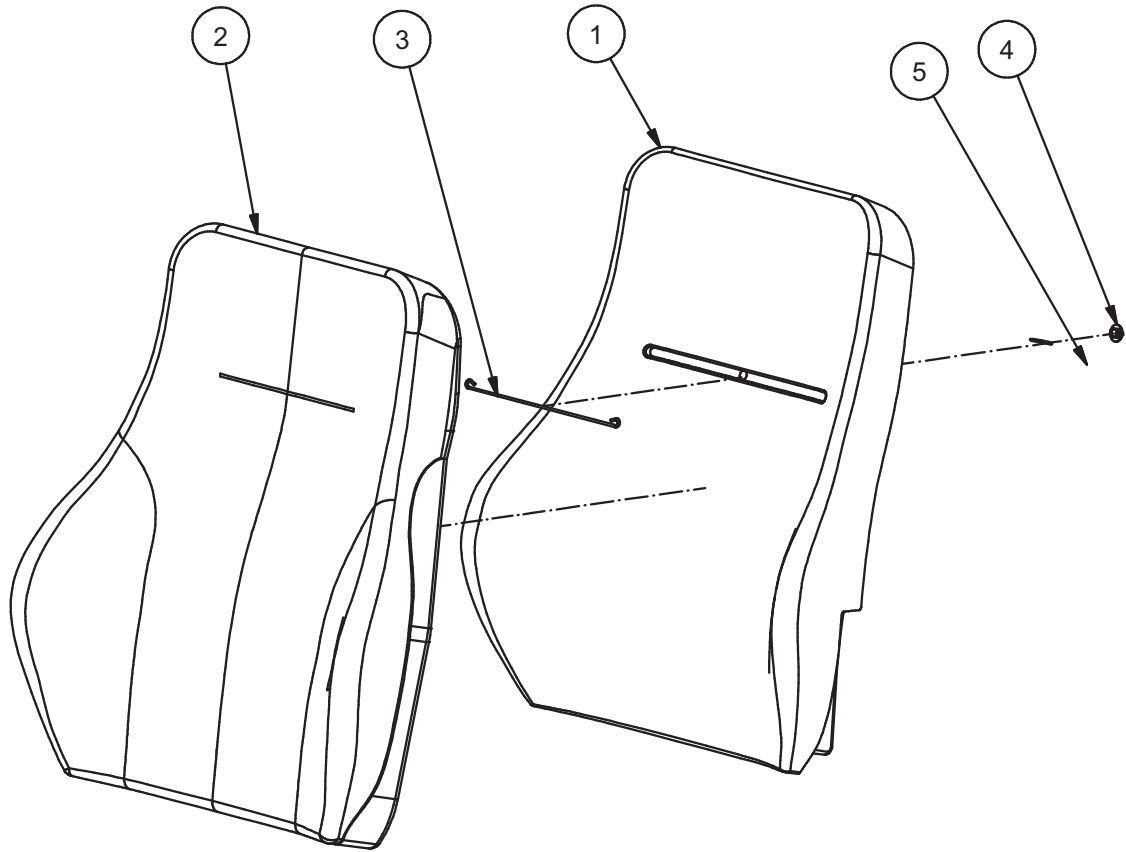


Fig.	Part. No.	Quantity	Description		
1	621389	1	FOAM BACKREST 640 EPN		
2	641326	1	TRIM BACKREST 640 EPN 9000		NIGHTFALL
3	620140	1	BRACKET L=230		
4	660054	1	BUTTON SPK		
5	660057	1	LOOPS 30 MM		



Parts Replacements List

**628593**

**TRIM BACKREST 640 AIRVENT 12V NIGHTFALL 9000**

Valid from 040506 to

Doc. R1-628593

Date 121016

Rev. 0

Rev.Date

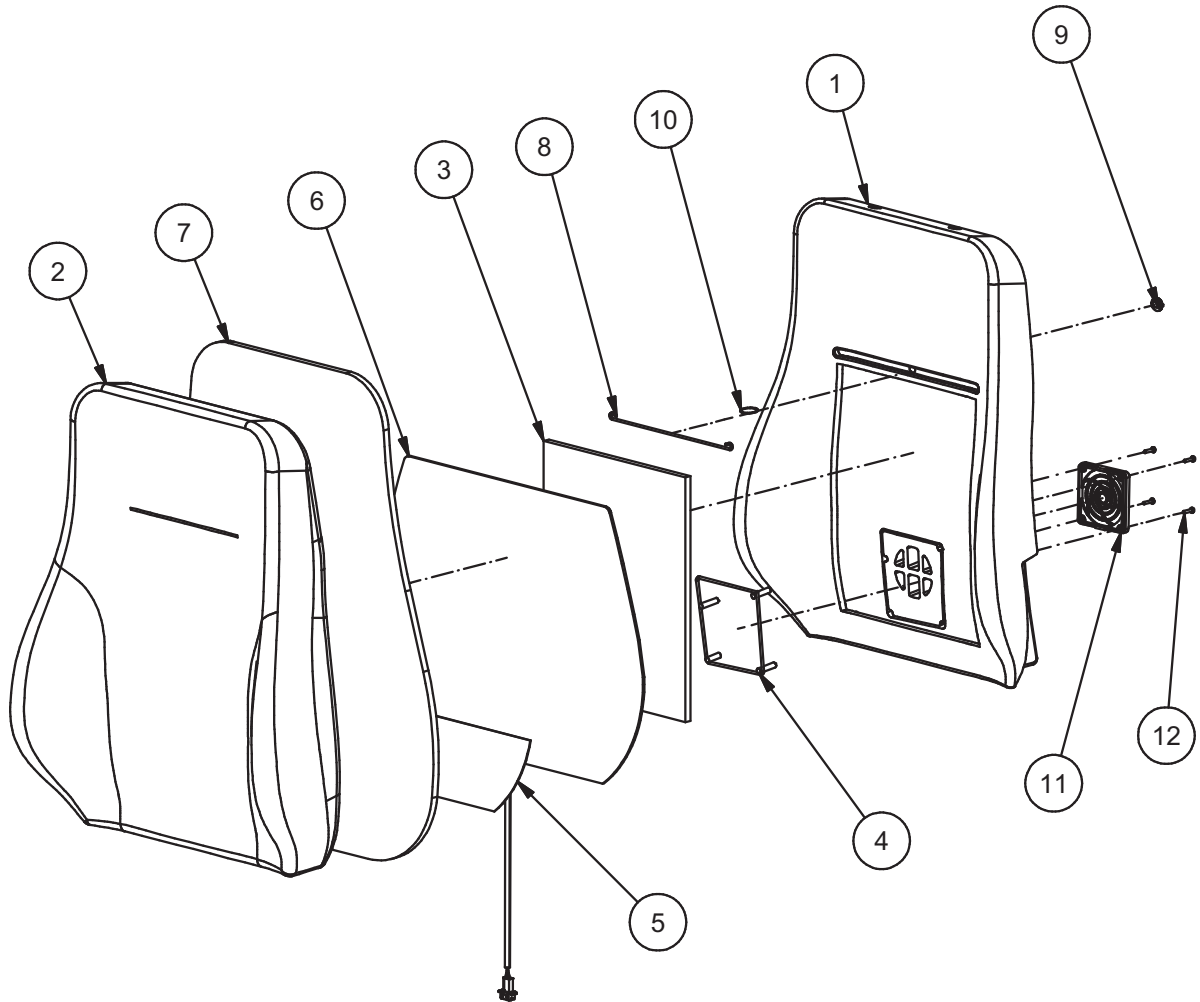


Fig.	Part. No.	Quantity	Description		
1	620454	1	FOAM BACKREST AIRVENT		
2	641327	1	TRIM BACKREST 640 AIR		NIGHTFALL
3	628237	1	RUBBER HAIR MATT		
4	620447	1	FIXTURE WIRE CPL.		
5	640015	1	TRIM AIRVENT BACKREST		
6	500350	1	HEATING ELEMENT 12V		SQUAB
7	640017	1	POLYESTER WAD 10 MM BACK REST		
8	620140	1	BRACKET L=230		
9	660054	1	BUTTON SPK		
10	660057	1	LOOPS 30 MM		
11	621140	1	FAN NET WITH HOLES		OEM ELECTRONICS AB ART. NO.: PF80
12	650018	4	SCREW RXS	ST3.5x19	DIN7981C-Z ZN-BL



Parts Replacements List

**628595**

**TRIM BACKREST 640 AIRVENT 24V NIGHTFALL 9000**

Valid from 040506 to

Doc. R1-628595

Date 121016

Rev. 0

Rev.Date

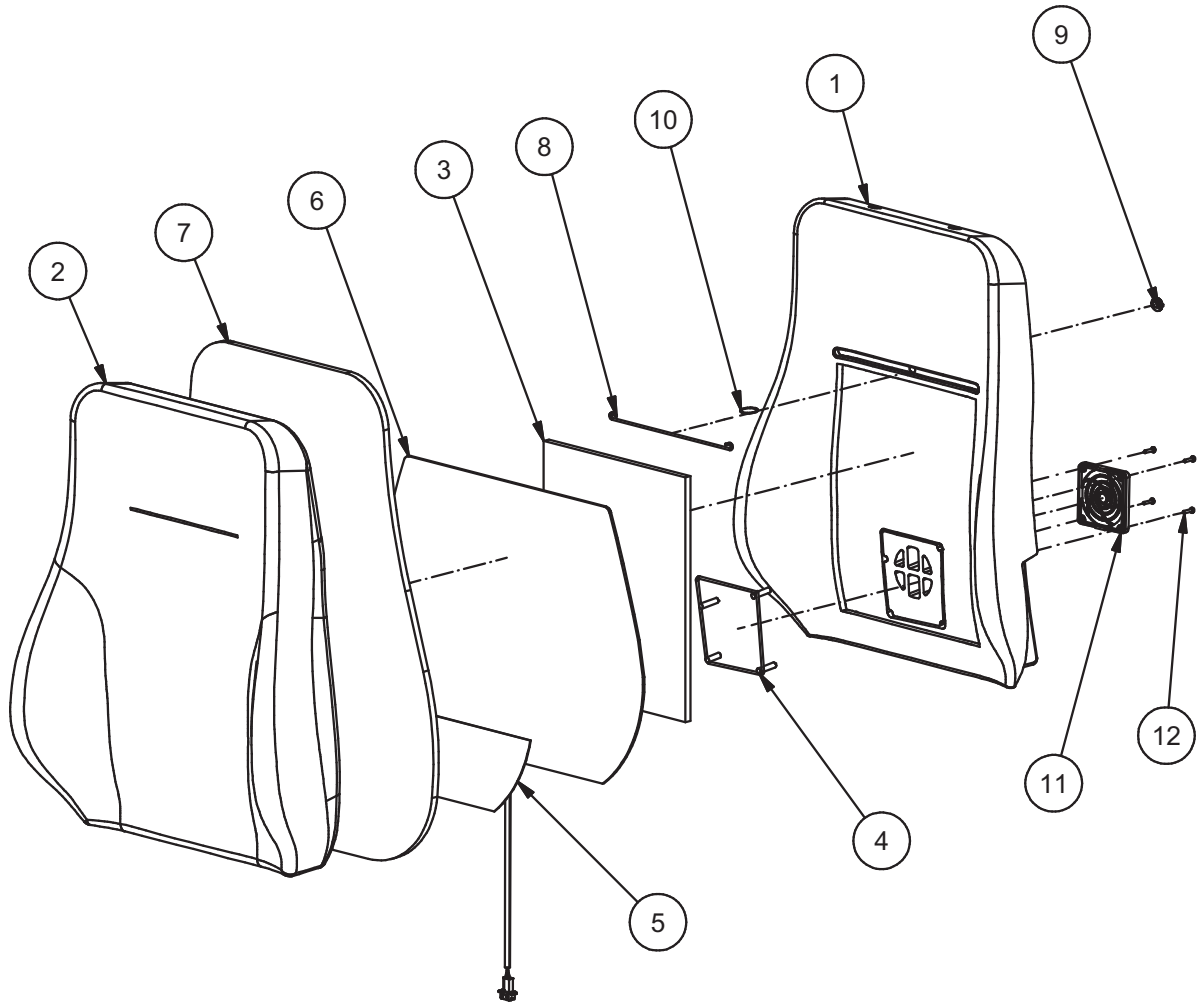


Fig.	Part. No.	Quantity	Description		
1	620454	1	FOAM BACKREST AIRVENT		
2	641327	1	TRIM BACKREST 640 AIR		NIGHTFALL
3	628237	1	RUBBER HAIR MATT		
4	620447	1	FIXTURE WIRE CPL.		
5	640015	1	TRIM AIRVENT BACKREST		
6	500358	1	HEATING ELEMENT 24V		SQUAB
7	640017	1	POLYESTER WAD 10 MM BACK REST		
8	620140	1	BRACKET L=230		
9	660054	1	BUTTON SPK		
10	660057	1	LOOPS 30 MM		
11	621140	1	FAN NET WITH HOLES		OEM ELECTRONICS AB ART. NO.: PF80
12	650018	4	SCREW RXS	ST3.5x19	DIN7981C-Z ZN-BL



Parts Replacements List

**620310**

**TRIM KIT BACKREST 640 ART. LEATHER GREY  
9000**

Valid from 900810 to

Doc. R1-620310

Date 121016

Rev. 0

Rev.Date

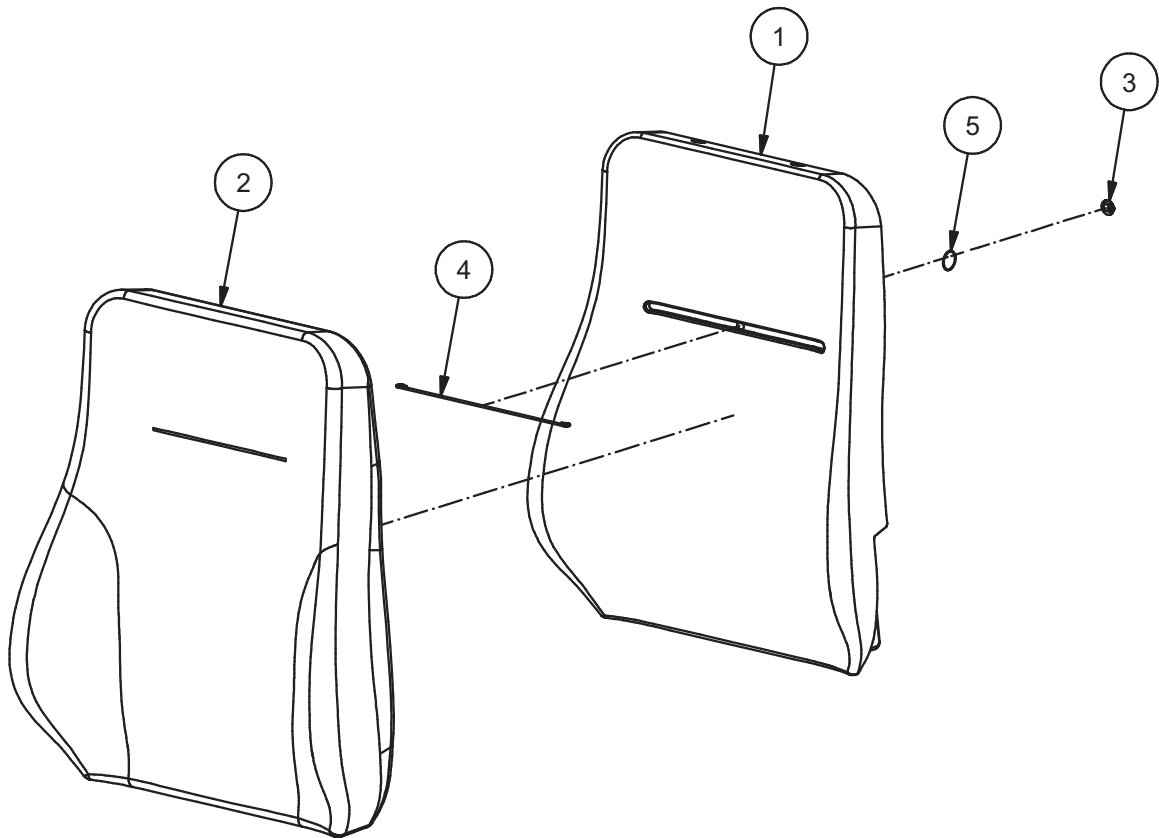


Fig.	Part. No.	Quantity	Description		
1	500191	1	FOAM BACKREST		
2	500951	1	TRIM BACKREST 640		ART. LEATHER GREY
3	660054	1	BUTTOM SPK		
4	620114	1	BRACKET L=260		
5	660057	1	LOOPS 30 MM		



Parts Replacements List

**620320**

**TRIM BACKREST 640 BALTIQUE GRAY**

**9000**

Valid from 900810 to

Doc. R1-620320

Date 121016

Rev. 0

Rev.Date

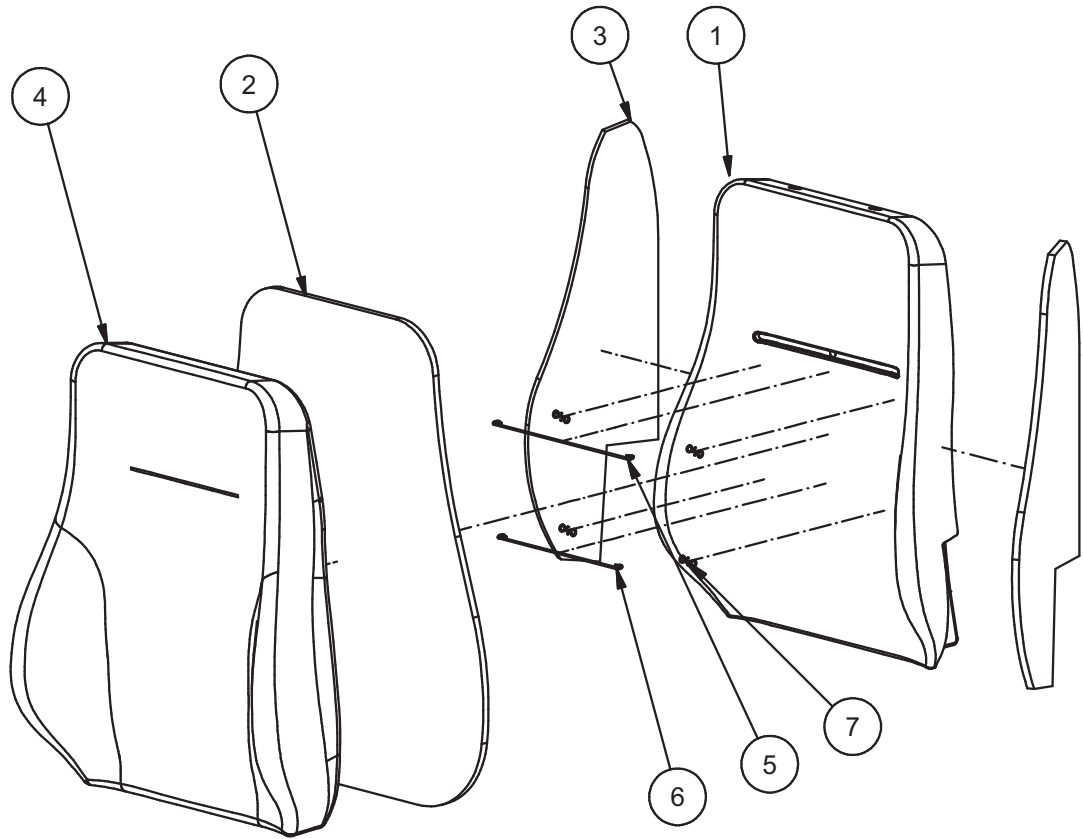


Fig.	Part. No.	Quantity	Description		
1	500191	1	FOAM BACKREST		
2	640017	1	POLYESTER WAD 10 MM BACK REST		
3	641053	2	POLYESTER WAD 10 MM BACKREST SIDE		
4	500596	1	TRIM BACKREST 640		LEATHER GREY BALTIQUE
5	620114	1	BRACKET L=260		
6	620140	1	BRACKET L=230		
7	660097	4	S HOOK		



Parts Replacements List

**621134**

**TRIM BACKREST 640 AIRVENT 12V  
9000**

Valid from 960308 to

Doc. R1-621134

Date 121016

Rev. 0

Rev.Date

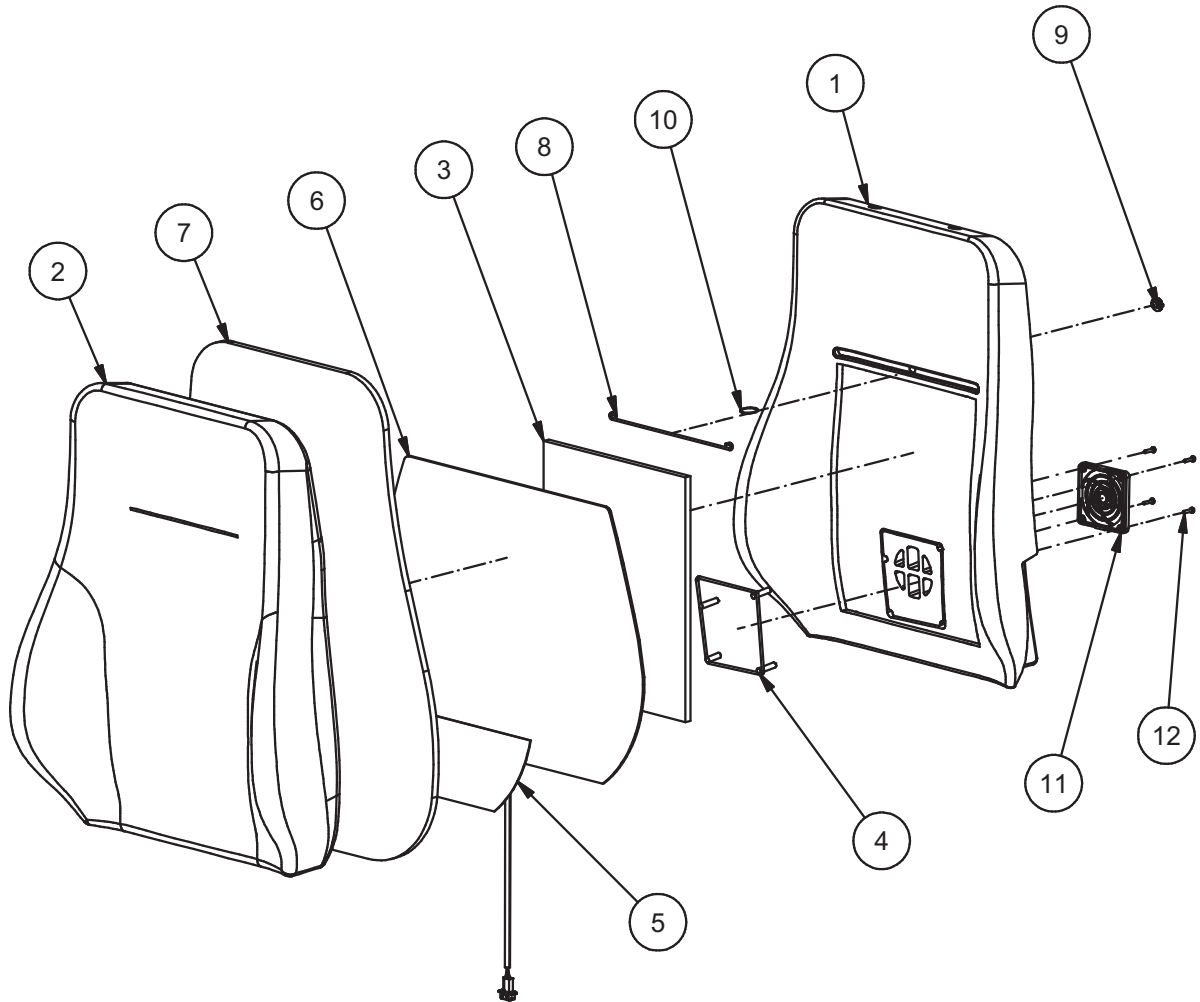


Fig.	Part. No.	Quantity	Description		
1	620454	1	FOAM BACKREST AIRVENT		
2	640466	1	TRIM BACKREST 640 AIR		CAMBORNE
3	628237	1	RUBBER HAIR MATT		
4	620447	1	FIXTURE WIRE CPL.		
5	640015	1	TRIM AIRVENT BACKREST		
6	500350	1	HEATING ELEMENT 12V		SQUAB
7	640017	1	POLYESTER WAD 10 MM BACK REST		
8	620140	1	BRACKET L=230		
9	660054	1	BUTTOM SPK		
10	660057	1	LOOPS 30 MM		
11	621140	1	FAN NET WITH HOLES		OEM ELECTRONICS AB ART. NO.: PF80
12	650018	4	SCREW RXS	ST3.5x19	DIN7981C-Z ZN-BL



Parts Replacements List

**628107**

**TRIM BACKREST 640 AIRVENT 24V  
9000**

Valid from 030108 to

Doc. R1-628107

Date 121016

Rev. 0

Rev.Date

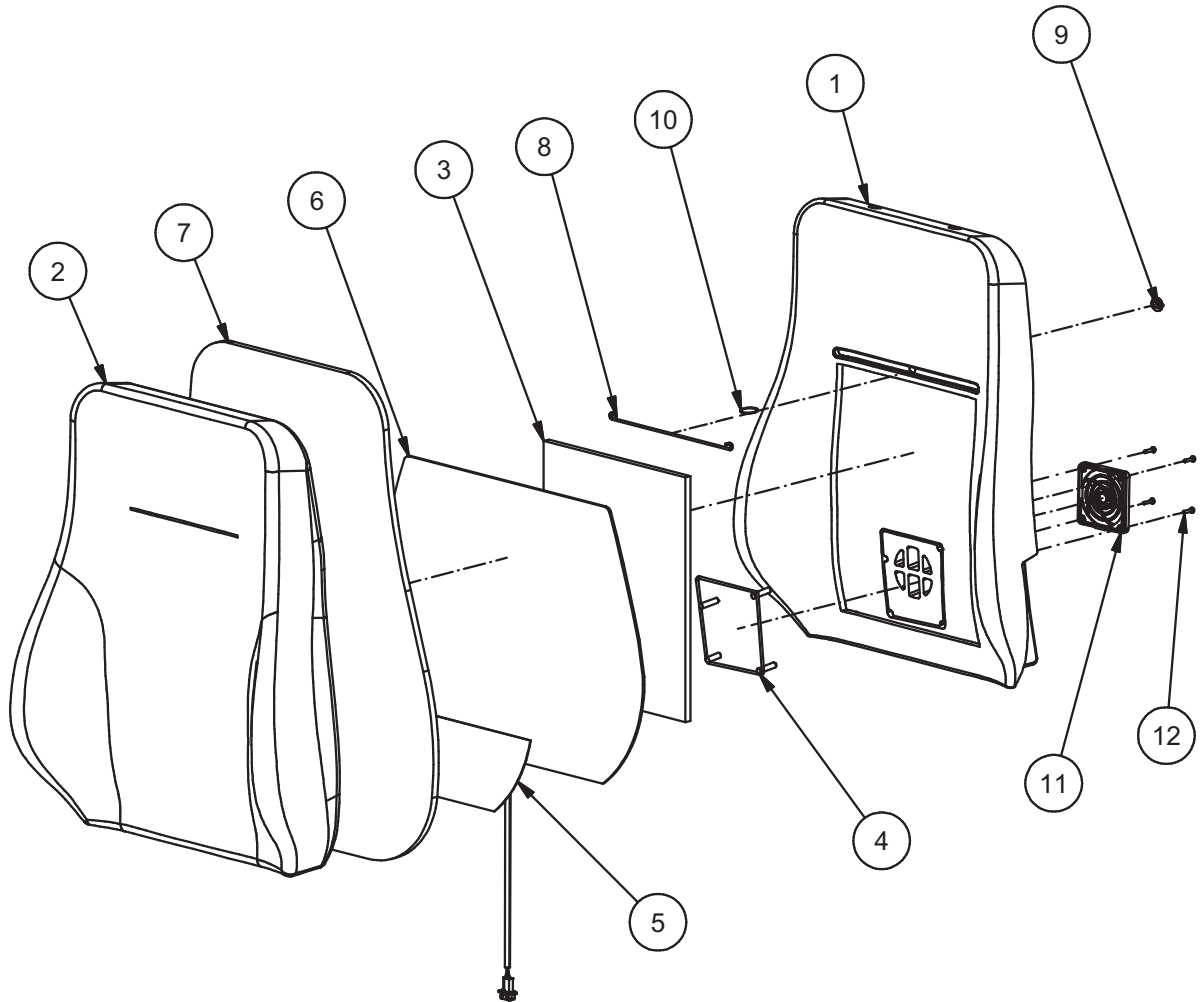


Fig.	Part. No.	Quantity	Description		
1	620454	1	FOAM BACKREST AIRVENT		
2	640466	1	TRIM BACKREST 640 AIR		CAMBORNE
3	628237	1	RUBBER HAIR MATT		
4	620447	1	FIXTURE WIRE CPL.		
5	640015	1	TRIM AIRVENT BACKREST		
6	500358	1	HEATING ELEMENT 24V		SQUAB
7	640017	1	POLYESTER WAD 10 MM BACK REST		
8	620140	1	BRACKET L=230		
9	660054	1	BUTTON SPK		
10	660057	1	LOOPS 30 MM		
11	621140	1	FAN NET WITH HOLES		OEM ELECTRONICS AB ART. NO.: PF80
12	650018	4	SCREW RXS	ST3.5x19	DIN7981C-Z ZN-BL



Parts Replacements List

**620900**

**TRIM KIT BACKREST 640 BLUE 84  
9000**

Valid from 930208 to

Doc. R1-620900

Date 121016

Rev. 0

Rev.Date

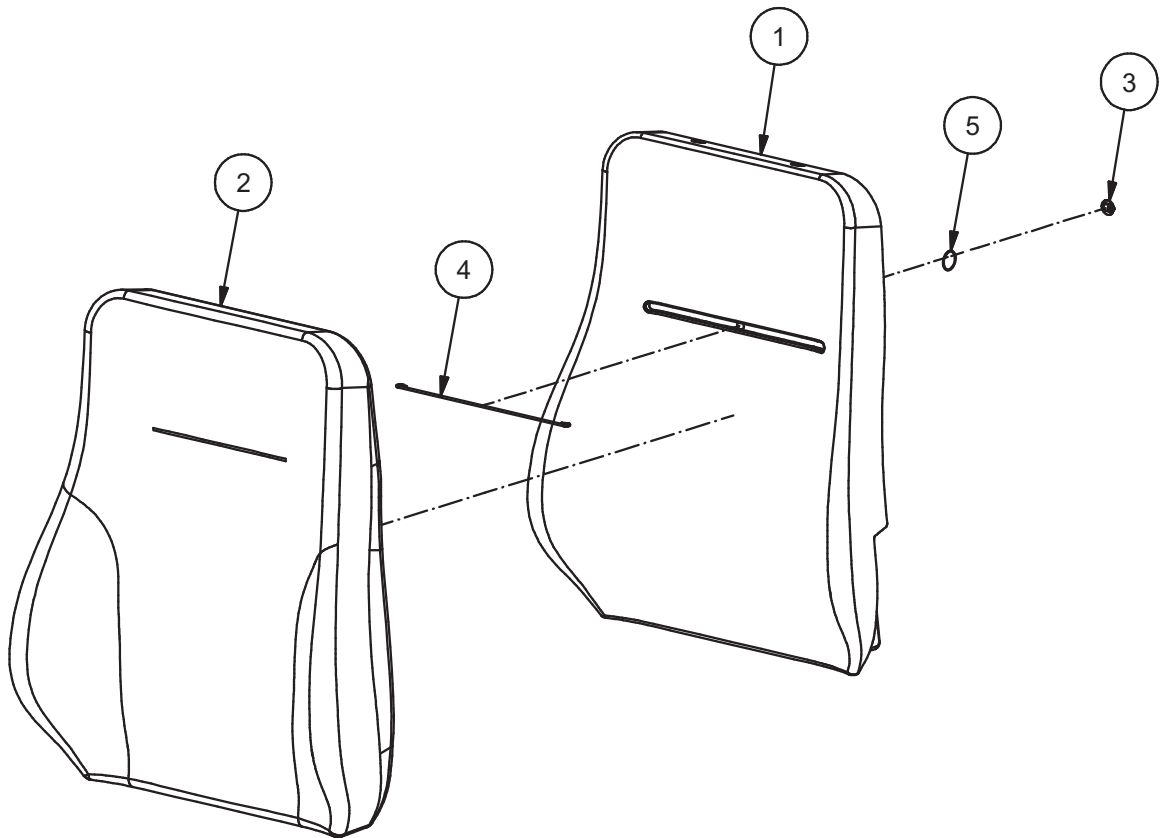


Fig.	Part. No.	Quantity	Description		
1	500191	1	FOAM BACKREST		
2	640312	1	TRIM BACKREST 640		PLUSH BLUE 84
3	660054	1	BUTTOM SPK		
4	620114	1	BRACKET L=260		
5	660057	1	LOOPS 30 MM		





Parts Replacements List

**620920**

**TRIM KIT BACKREST 640 RED 82**

**9000**

Valid from 930208 to

Doc. R1-620920

Date 121016

Rev. 0

Rev.Date

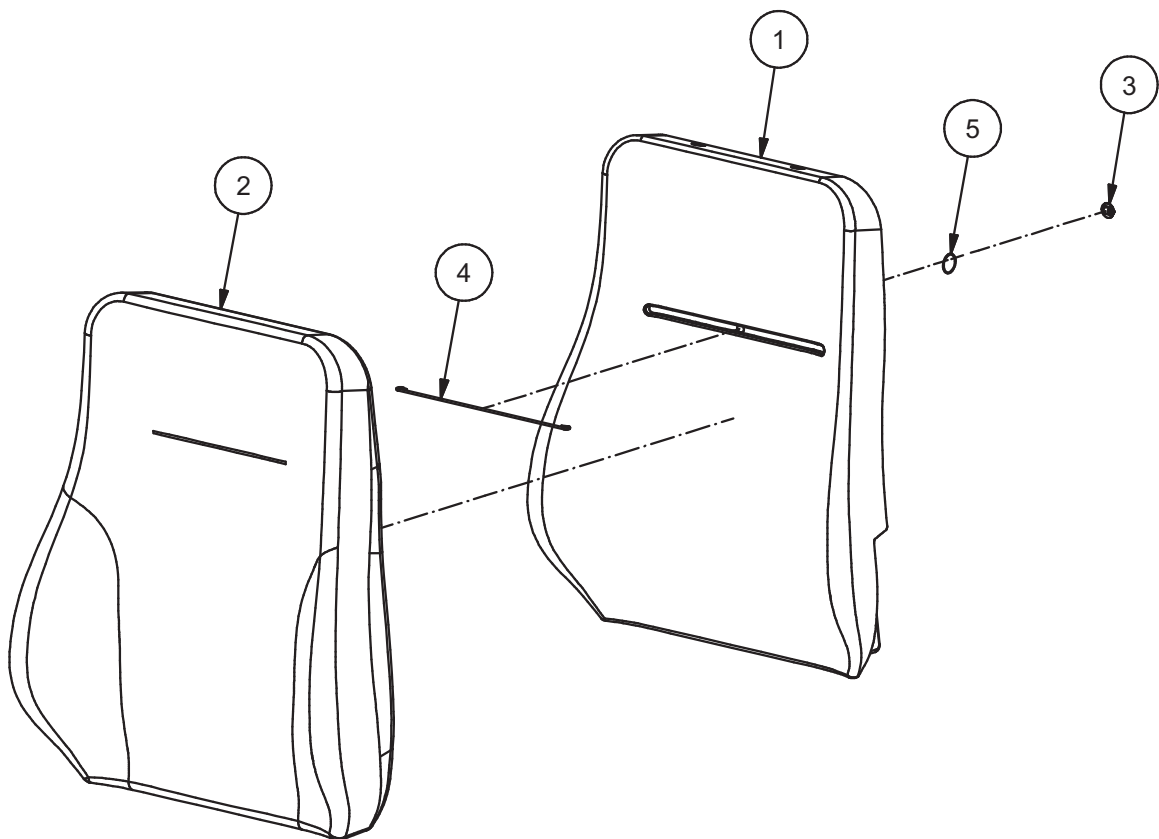


Fig.	Part. No.	Quantity	Description		
1	500191	1	FOAM BACKREST		
2	640272	1	TRIM BACKREST 640		PLUSH RED 82
3	660054	1	BUTTON SPK		
4	620114	1	BRACKET L=260		
5	660057	1	LOOPS 30 MM		



Parts Replacements List

**620940**

**TRIM KIT BACKREST 640 GREY 89  
9000**

Valid from 930208 to

Doc. R1-620940

Date 121016

Rev. 0

Rev.Date

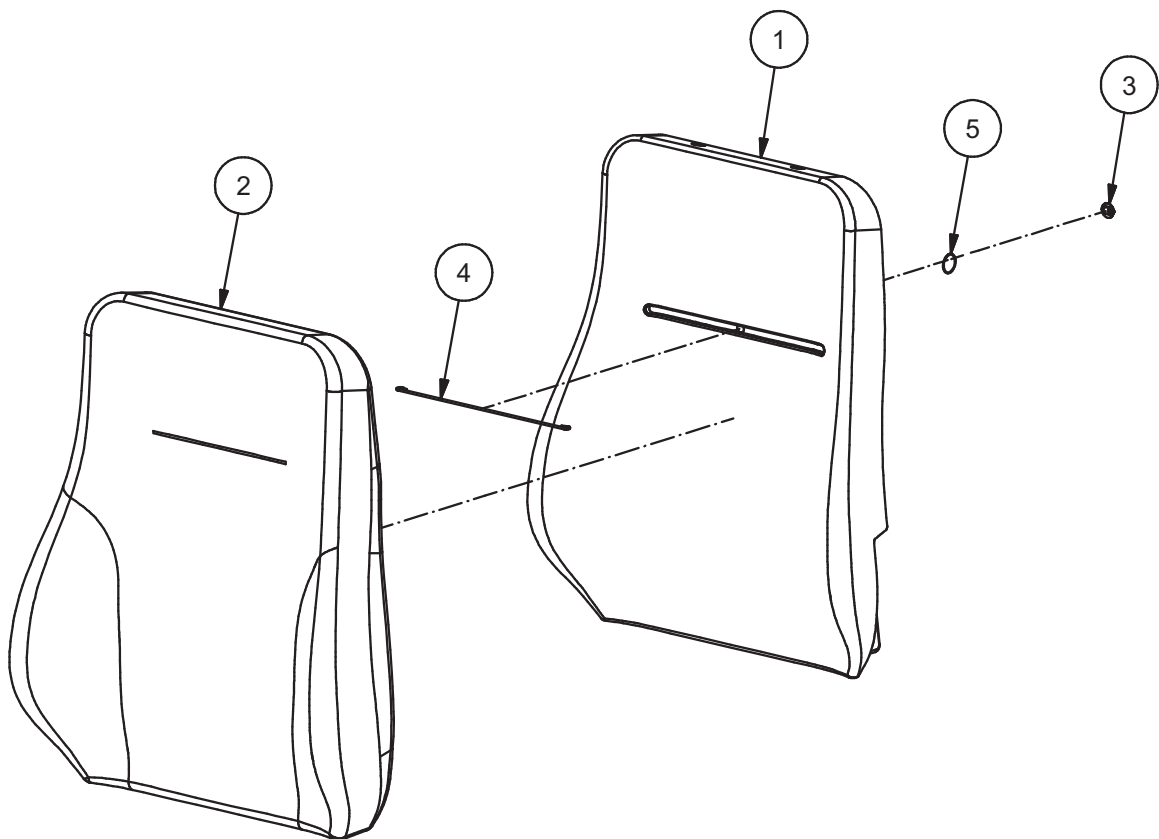


Fig.	Part. No.	Quantity	Description		
1	500191	1	FOAM BACKREST		
2	640332	1	TRIM BACKREST 640		PLUSH GREY 89
3	660054	1	BUTTOM SPK		
4	620114	1	BRACKET L=260		
5	660057	1	LOOPS 30 MM		



Parts Replacements List

**620960**  
**TRIM KIT BACKREST 640 BLACK 83**  
**9000**

Valid from 930208 to

Doc. R1-620960

Date 121016

Rev. 0

Rev.Date

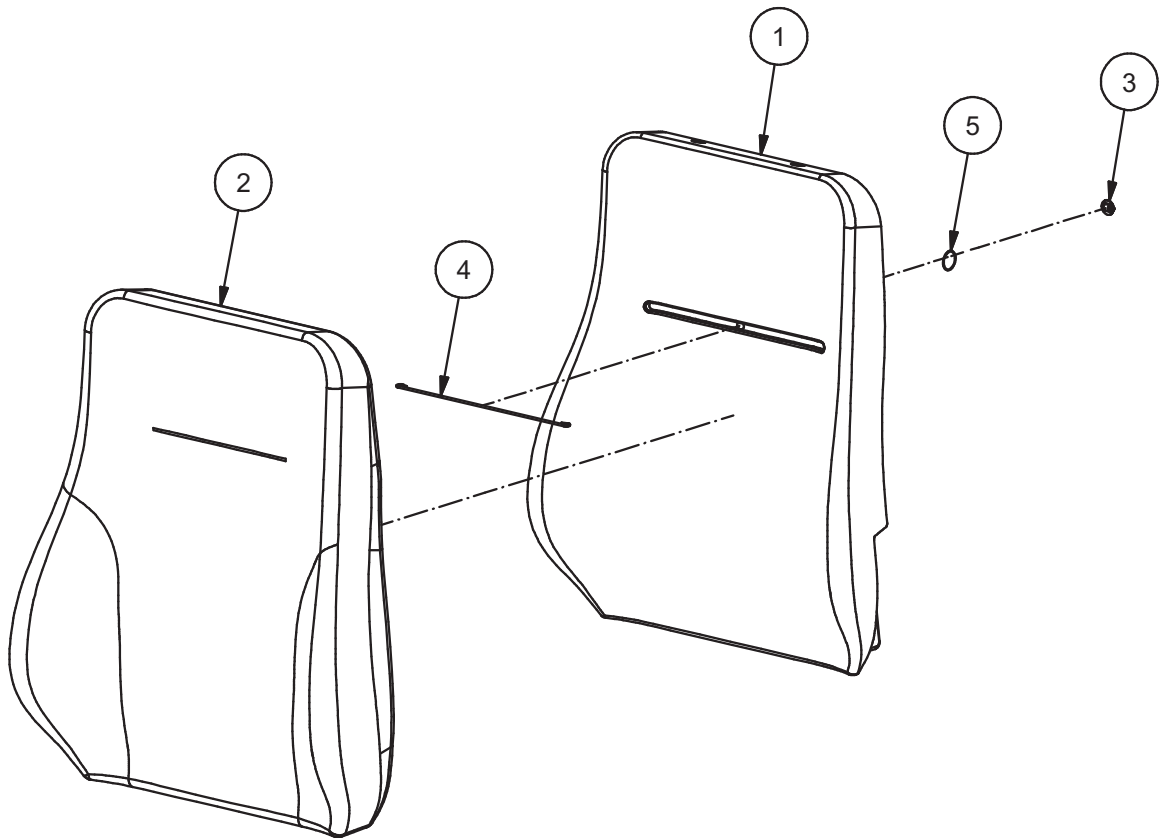


Fig.	Part. No.	Quantity	Description		
1	500191	1	FOAM BACKREST		
2	640292	1	TRIM BACKREST 640		PLUSH BLACK 83
3	660054	1	BUTTOM SPK		
4	620114	1	BRACKET L=260		
5	660057	1	LOOPS 30 MM		



Parts Replacements List

**600602**  
**HEAD REST NIGHTFALL**  
**9000**

Valid from 040501 to

Doc. R1-600602

Date 081124

Rev.

Rev.Date

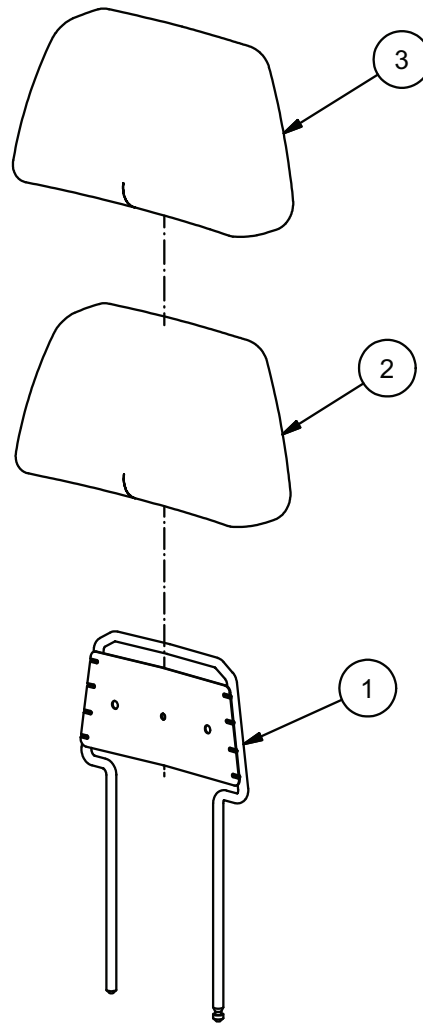


Fig.	Part. No.	Quantity	Description
1	500341	1	FRAME 9000
2	500344	1	FOAM HEAD REST
3	641322	1	TRIM HEADREST
			NIGHTFALL



Parts Replacements List

**600505**  
**HEADREST KIT ART. LEATEHR GREY**  
**9000**

Valid from 921126 to

Doc. R1-600505

Date 120508

Rev. 0

Rev.Date

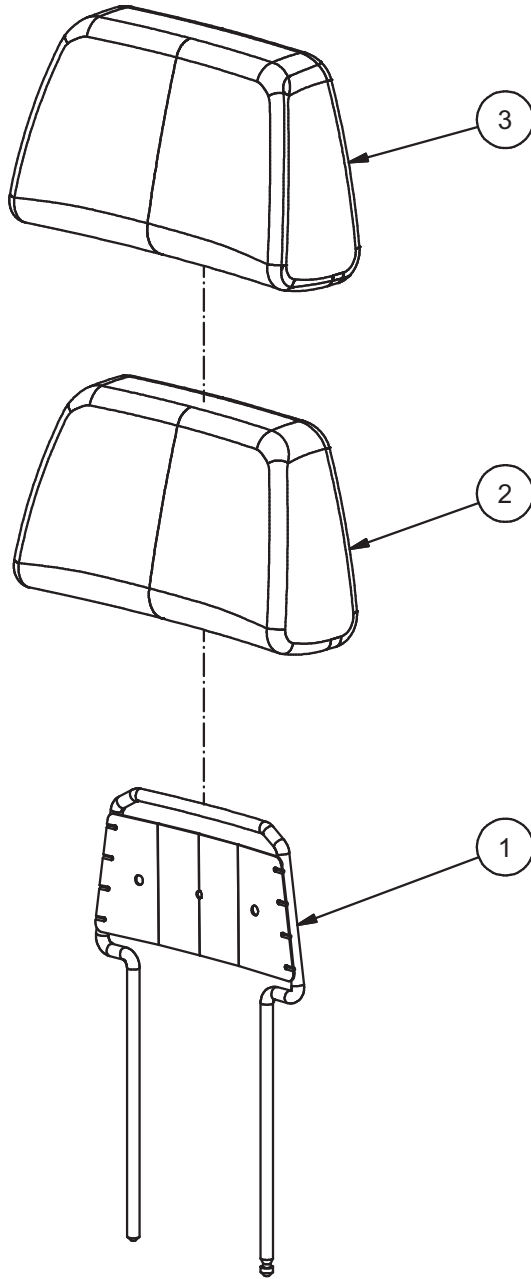


Fig.	Part. No.	Quantity	Description
1	500341	1	FRAME HEADREST
2	500344	1	FOAM HEAD REST
3	500950	1	TRIM HEADREST

ART. LEATHER GREY



Parts Replacements List

**600506**  
**HEADREST KIT LEATHER GREY**  
**9000**

Valid from 900807 to

Doc. R1-600506

Date 120611

Rev. 0

Rev.Date

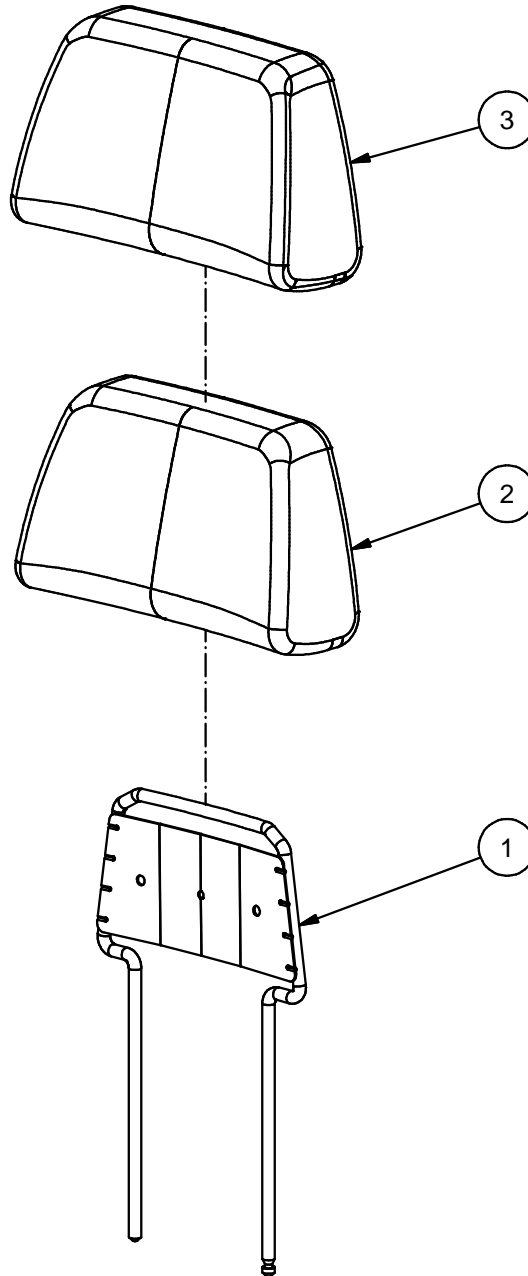


Fig.	Part. No.	Quantity	Description
1	500341	1	FRAME HEADREST
2	500344	1	FOAM HEAD REST
3	500626	1	TRIM HEADREST

LEATHER GREY BALTIQUE



Parts Replacements List

**600514**  
**HEAD REST AIRVENT**  
**9000**

Valid from 960409 to

Doc. R1-600514

Date 120613

Rev. 0

Rev.Date

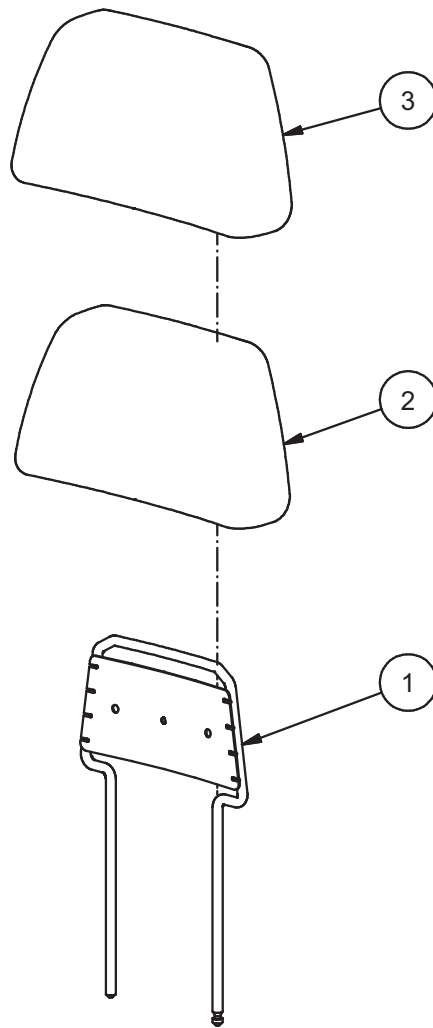


Fig.	Part. No.	Quantity	Description
1	500341	1	FRAME HEADREST
2	500344	1	FOAM HEAD REST
3	640465	1	TRIM HEADREST

CAMBORNE BLACK



Parts Replacements List

**600520**  
**HEADREST KIT PLUSH BLUE 84**  
**9000**

Valid from 921126 to

Doc. R1-600520

Date 120508

Rev. 0

Rev.Date

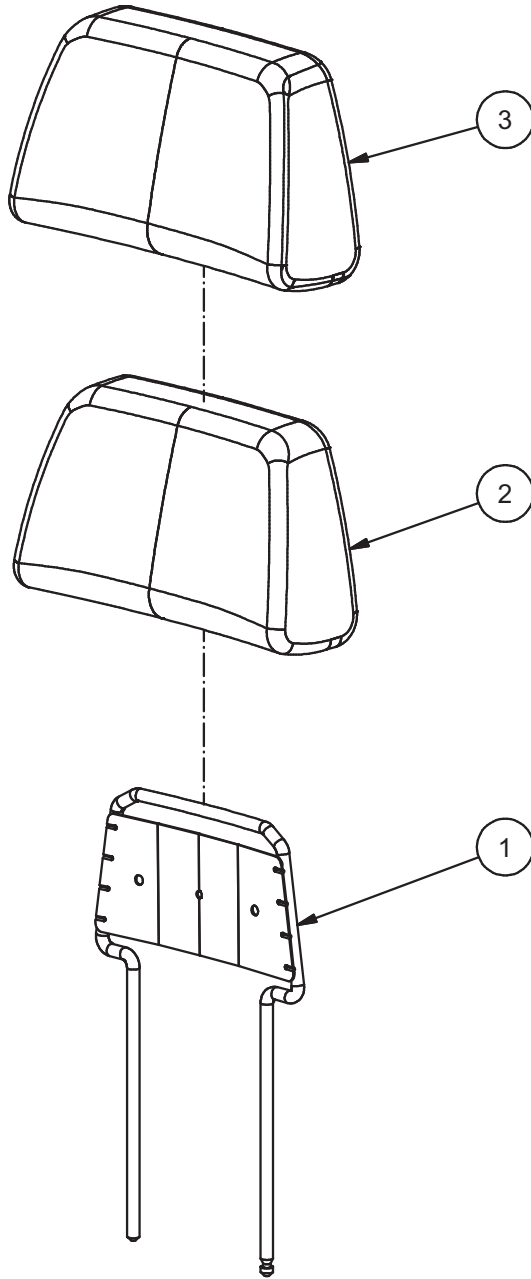


Fig.	Part. No.	Quantity	Description		
1	500341	1	FRAME HEADREST		
2	500344	1	FOAM HEAD REST		
3	640311	1	TRIM HEADREST		PLUSH BLUE 84





Parts Replacements List

**600521**  
**HEADREST KIT PLUSH RED 82**  
**9000**

Valid from 921126 to

Doc. R1-600521

Date 120611

Rev. 0

Rev.Date

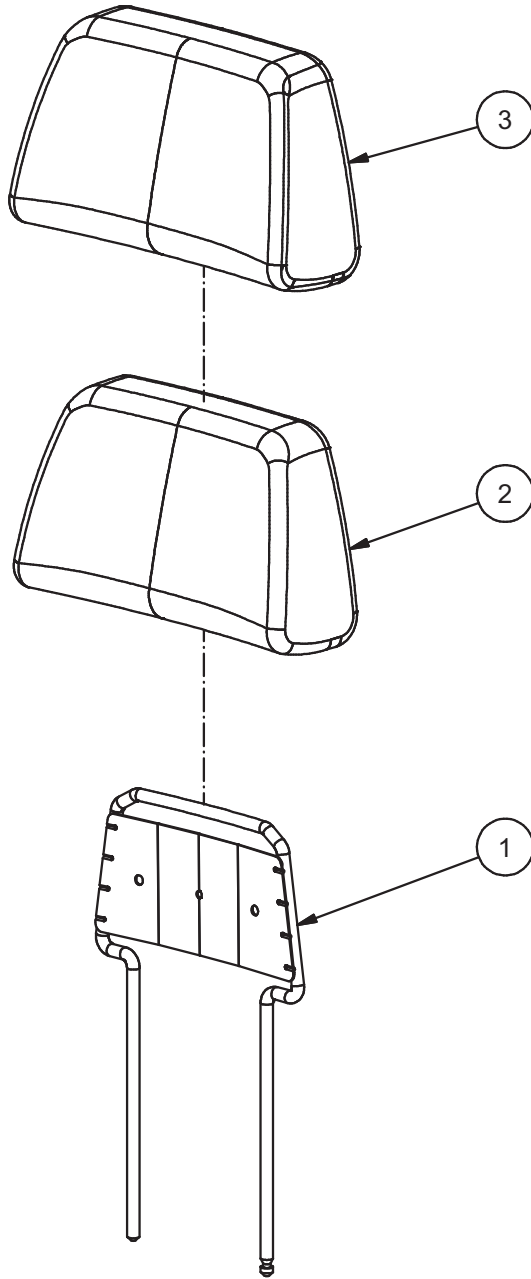


Fig.	Part. No.	Quantity	Description
1	500341	1	FRAME HEADREST
2	500344	1	FOAM HEAD REST
3	640271	1	TRIM HEADREST

PLUSH RED 82



Parts Replacements List

**600523**  
**HEADREST KIT PLUSH GREY 89**  
**9000**

Valid from 921126 to

Doc. R1-600523

Date 120508

Rev. 0

Rev.Date

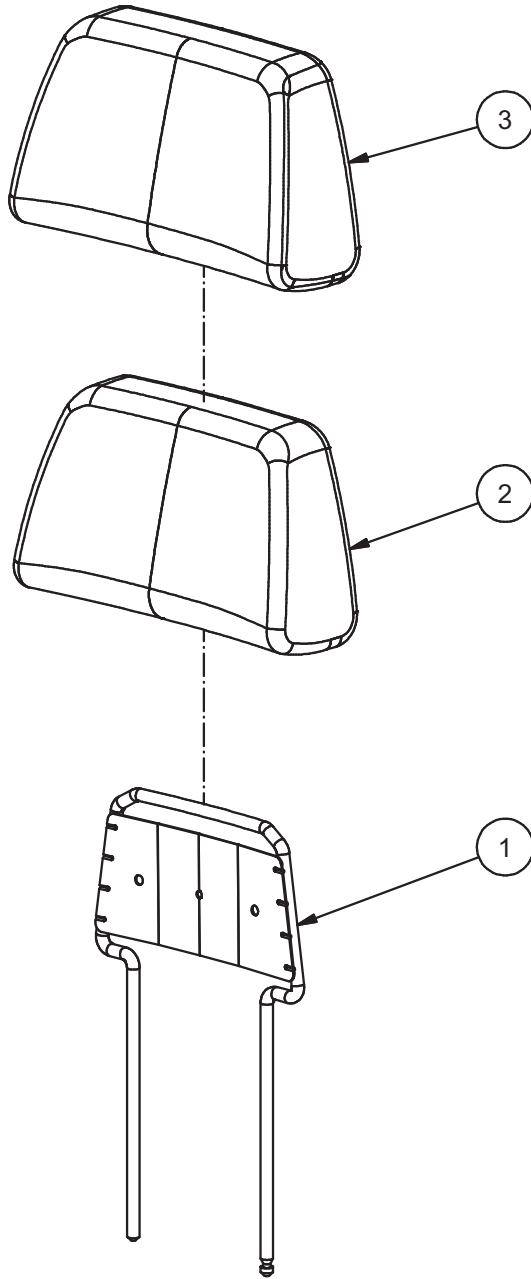


Fig.	Part. No.	Quantity	Description
1	500341	1	FRAME HEADREST
2	500344	1	FOAM HEAD REST
3	640331	1	TRIM HEADREST

PLUSH GREY 89



Parts Replacements List

**600524**  
**HEADREST KIT PLUSH BLACK 83**  
**9000**

Valid from 921126 to

Doc. R1-600524

Date 120508

Rev. 0

Rev.Date

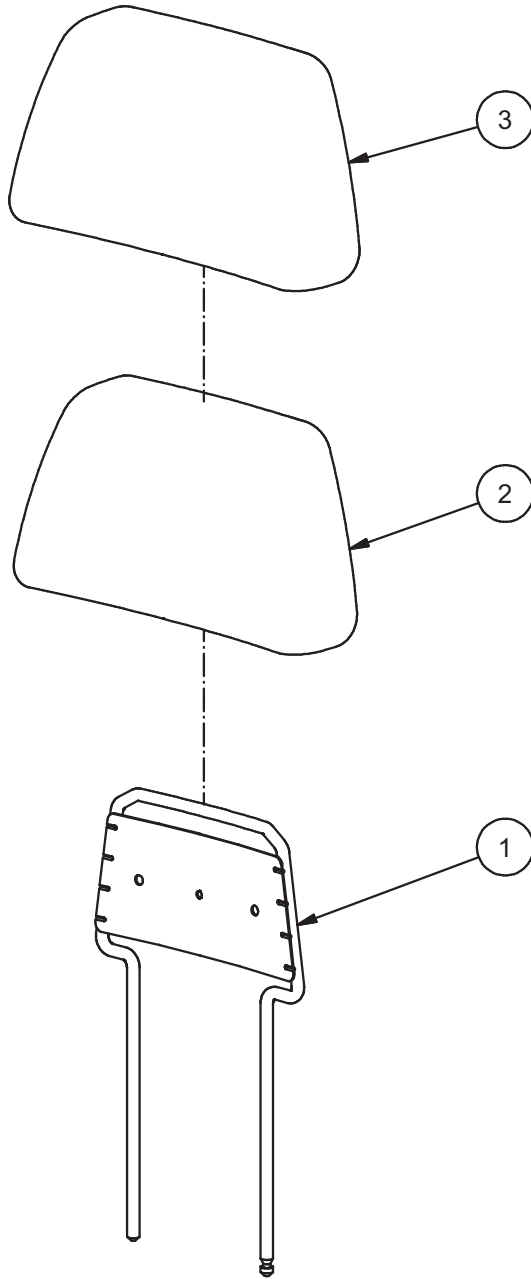


Fig.	Part. No.	Quantity	Description		
1	500341	1	FRAME HEADREST		
2	500344	1	FOAM HEAD REST		
3	640291	1	TRIM HEADREST		PLUSH BLACK 83



Parts Replacements List

**600603**  
**HEADREST KIT NIGHTFALL 4-WAY**  
**9000**

Valid from 040506 to

Doc. R1-600603

Date 120508

Rev. 0

Rev.Date

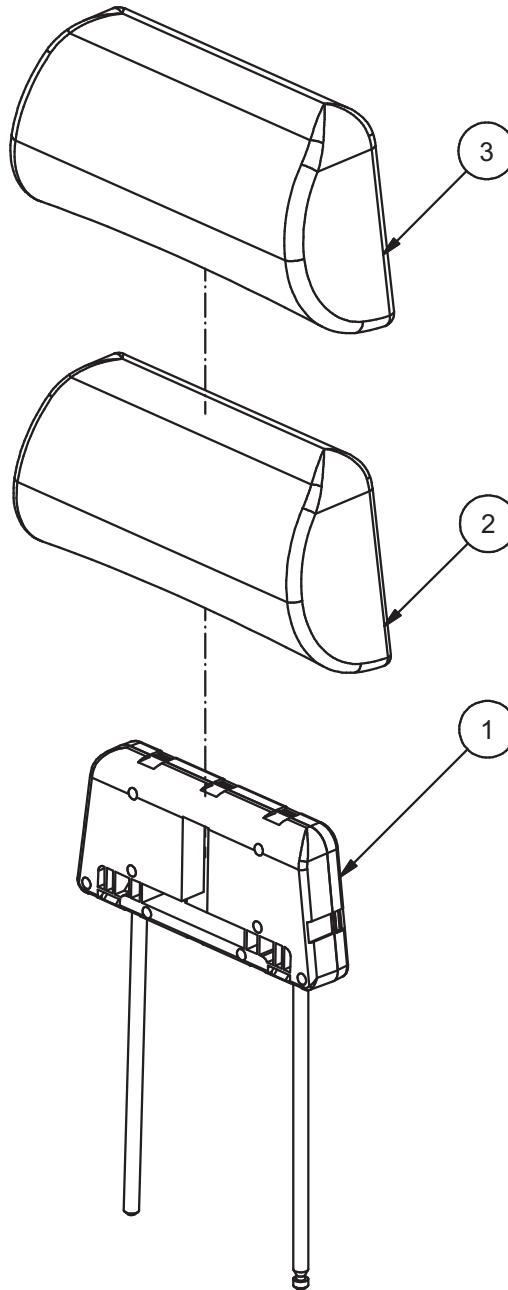


Fig.	Part. No.	Quantity	Description
2	621513	1	HEAD REST FOAM 4-WAYS
1	621567	1	HEAD REST FRAMEWORK ASM
3	641023	1	TRIM HEAD REST 4-WAYS, NIGHTFALL



Parts Replacements List

**600532**  
**HEADREST KIT LEATHER BLACK**  
**9000**

Valid from 010910 to

Doc. R1-600532

Date 120611

Rev. 0

Rev.Date

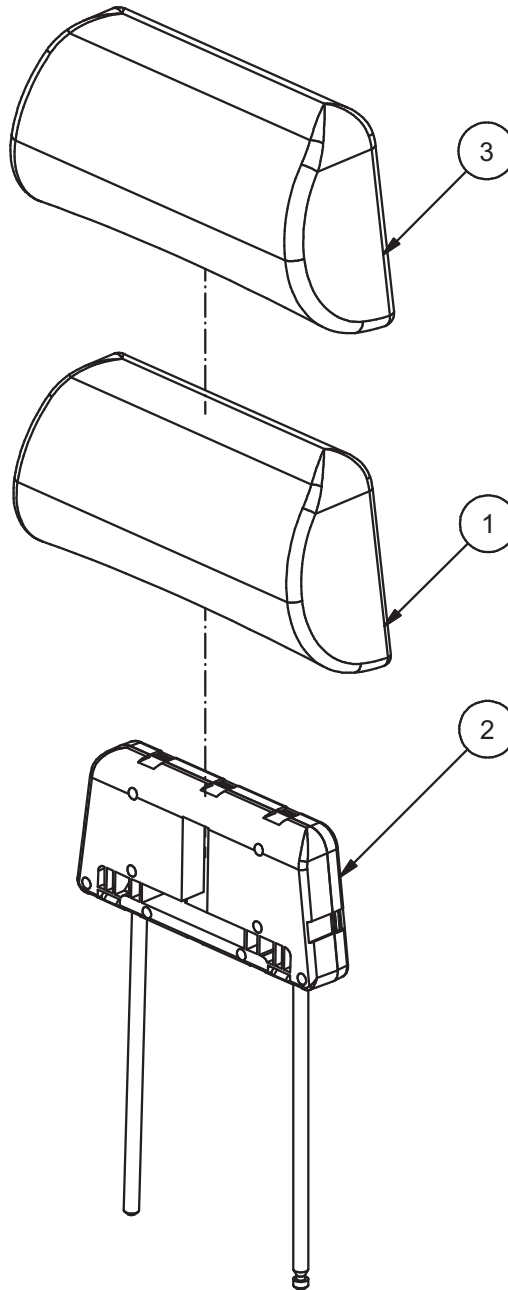


Fig.	Part. No.	Quantity	Description		
1	621513	1	HEAD REST FOAM 4-WAYS		
2	621567	1	HEAD REST FRAMEWORK ASM		
3	640478	1	TRIM HEAD REST 4-WAYS		LEATHER BLACK



Parts Replacements List

**600530**

**HEADREST KIT PLUSH BLACK 83 4-WAY  
9000**

Valid from 010910 to

Doc. R1-600530

Date 120601

Rev. 0

Rev.Date

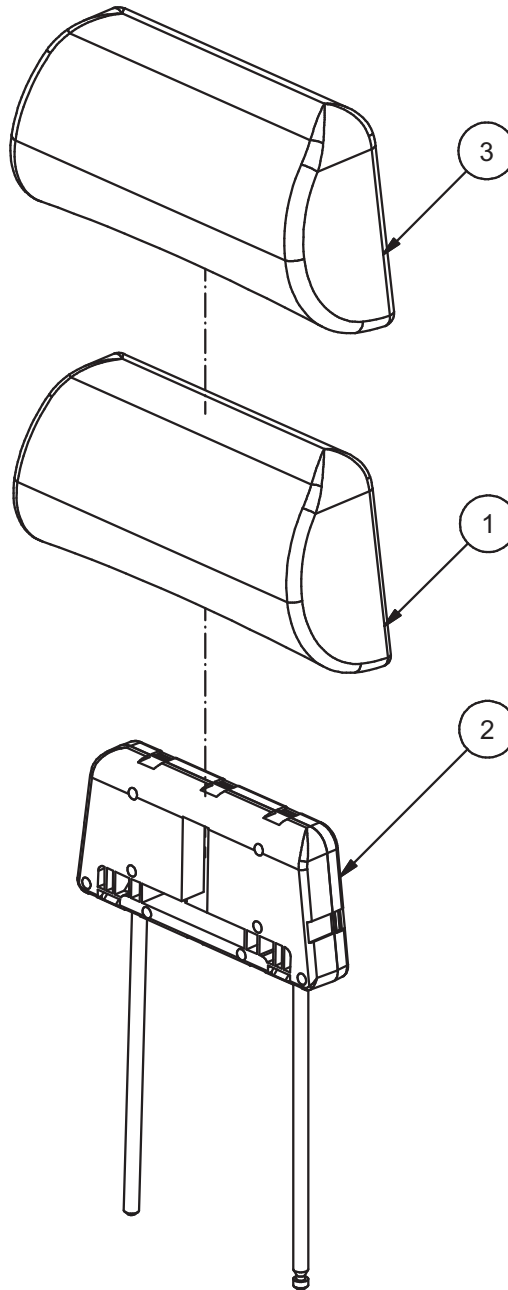


Fig.	Part. No.	Quantity	Description		
1	621513	1	HEAD REST FOAM 4-WAYS		
2	621567	1	HEAD REST FRAMEWORK ASM		
3	640290	1	TRIM HEAD REST 4-WAYS		PLUSH BLACK 83



Parts Replacements List

**600240**  
**AIRVENT TYPE 2 12V**  
**9000**

Valid from 960313 to

Doc. R1-600240

Date 121016

Rev. 1

Rev.Date 130408

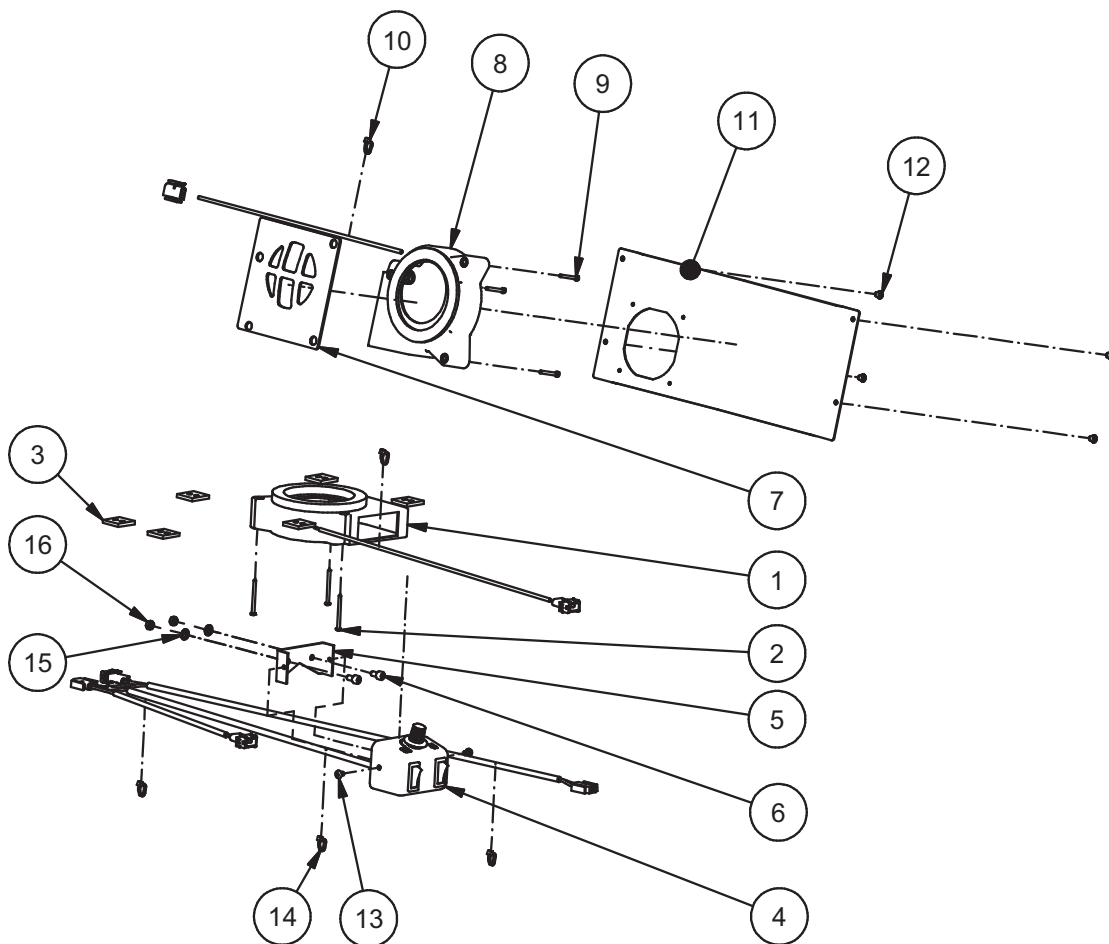


Fig.	Part. No.	Quantity	Description		
1	621121	1	FAN 12V SEAT AIRVENT TYPE 2		
2	650063	3	SCREW RXS	ST2.9x38	DIN7981C ZN POZ
3	501120	6	FOAM RUBBER		
4	628032	1	CONTROL AIRVENT TYPE 2		
5	620441	1	BRACKET		
6	650062	2	SCREW MC6S	M5x10	ISO4762 ZN 8.8
7	620450	1	FAN PROTECTING PLATE		
8	621122	1	FAN 12V BACKREST AIRVENT TYPE 2		
9	650061	3	SCREW ECS	M3x25	DIN84 ZN 4.8
10	660109	1	CABLE TIE		
11	620458	1	PLATE BACKREST 640 STD		
12	653000	4	RIVET AL/ST	4.0x7	AP/D BS
13	650037	2	SCREW MRX-TT	M4x6	DIN7500C-Z ZN BLACK
14	500317	4	CABLE TIE	200x4.6	WHITE
15	500495	2	WASHER IZ	6.4x11x0.7	DIN6798 ZN
16	500496	2	NUT M6M	M5	DIN934 ZN K8



Parts Replacements List

**600242**  
**AIRVENT TYPE 2 24V**  
**9000**

Valid from 960313 to

Doc. R1-600242

Date 121016

Rev. 1

Rev.Date 130408

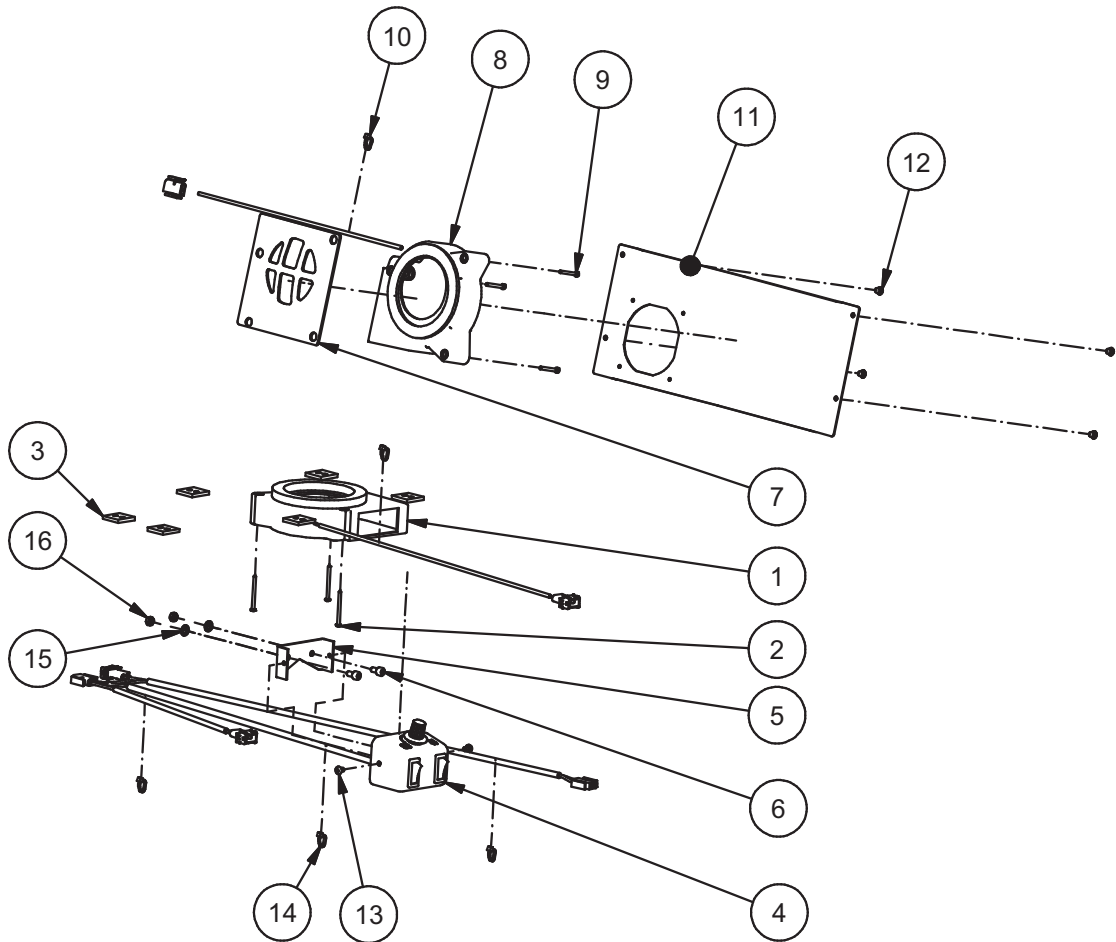


Fig.	Part. No.	Quantity	Description		
1	621123	1	FAN 24V SEAT AIRVENT TYPE 2		
2	650063	3	SCREW RXS	ST2.9x38	DIN7981C ZN POZ
3	501120	6	FOAM RUBBER		
4	628032	1	CONTROL AIRVENT TYPE 2		
5	620441	1	BRACKET		
6	650062	2	SCREW MC6S	M5x10	ISO4762 ZN 8.8
7	620450	1	FAN PROTECTING PLATE		
8	621124	1	FAN 24V BACKREST AIRVENT TYPE 2		
9	650061	3	SCREW ECS	M3x25	DIN84 ZN 4.8
10	660109	1	CABLE TIE		
11	620458	1	PLATE BACKREST 640 STD		
12	653000	4	RIVET AL/ST	4.0x7	AP/D BS
13	650037	2	SCREW MRX-TT	M4x6	DIN7500C-Z ZN BLACK
14	500317	4	CABLE TIE	200x4.6	WHITE
15	500495	2	WASHER IZ	6.4x11x0.7	DIN6798 ZN
16	500496	2	NUT M6M	M5	DIN934 ZN K8





Parts Replacements List

**501090**  
**HEATING ELEMENT 12V**  
**9000**

Valid from 021031 to

Doc. R1-501090

Date 120208

Rev. 0

Rev.Date

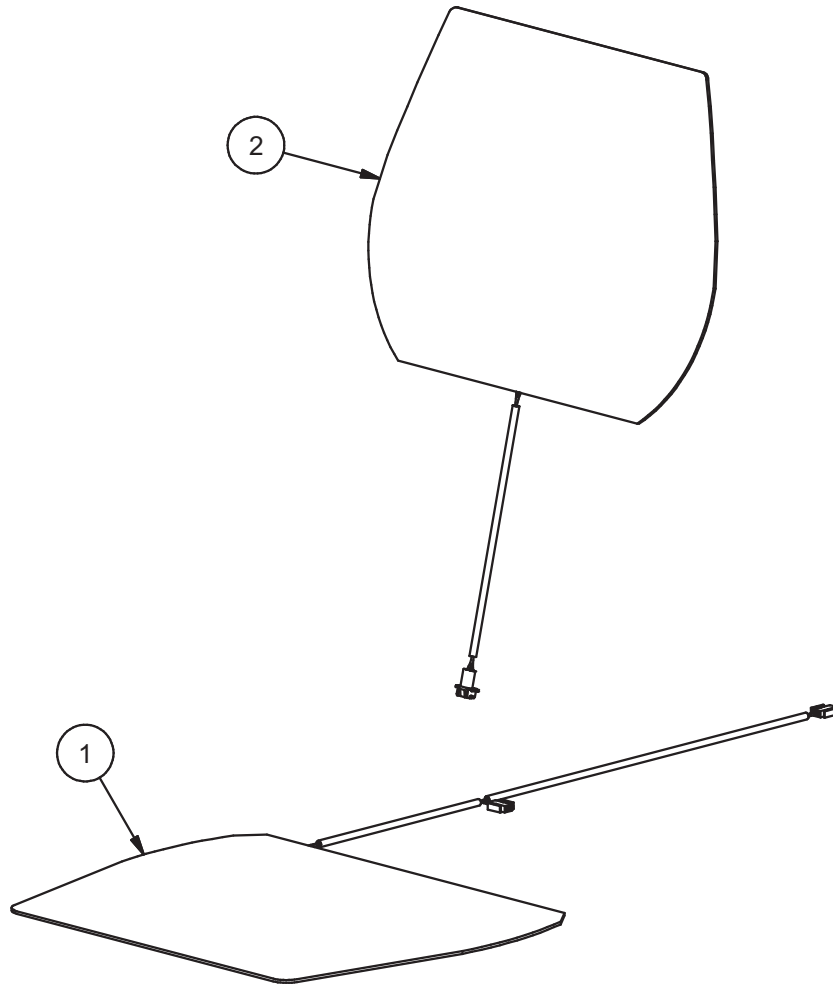


Fig.	Part. No.	Quantity	Description
1	500349	1	HEATING ELEMENT 12V CUSHION
2	500350	1	HEATING ELEMENT 12V SQUAB



Parts Replacements List

**501091**  
**HEATING ELEMENT 24V**  
**9000**

Valid from 880502 to

Doc. R1-501091

Date 100914

Rev. 0

Rev.Date

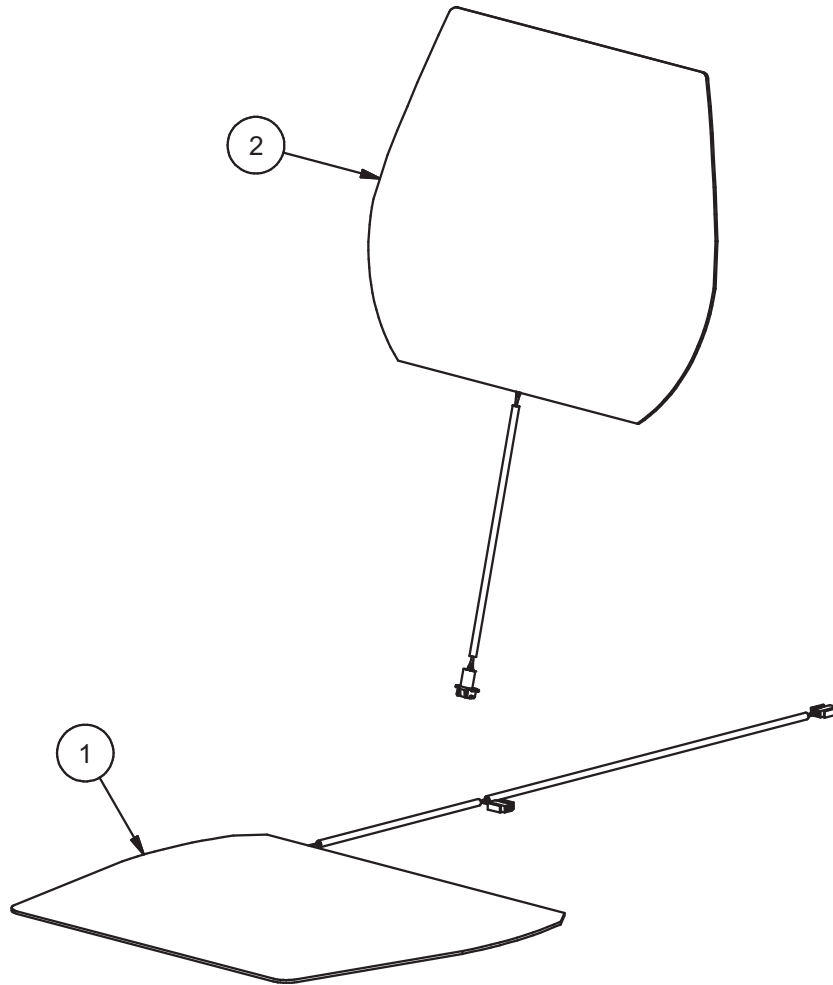


Fig.	Part. No.	Quantity	Description
1	500357	1	HEATING ELEMENT 24V CUSHION
2	500358	1	HEATING ELEMENT 24V SQUAB



Parts Replacements List

**603038**  
**HEATING ELEMENT 24V LEATHER**  
**9000**

Valid from 920811 to

Doc. R1-603038

Date 120614

Rev. 0

Rev.Date

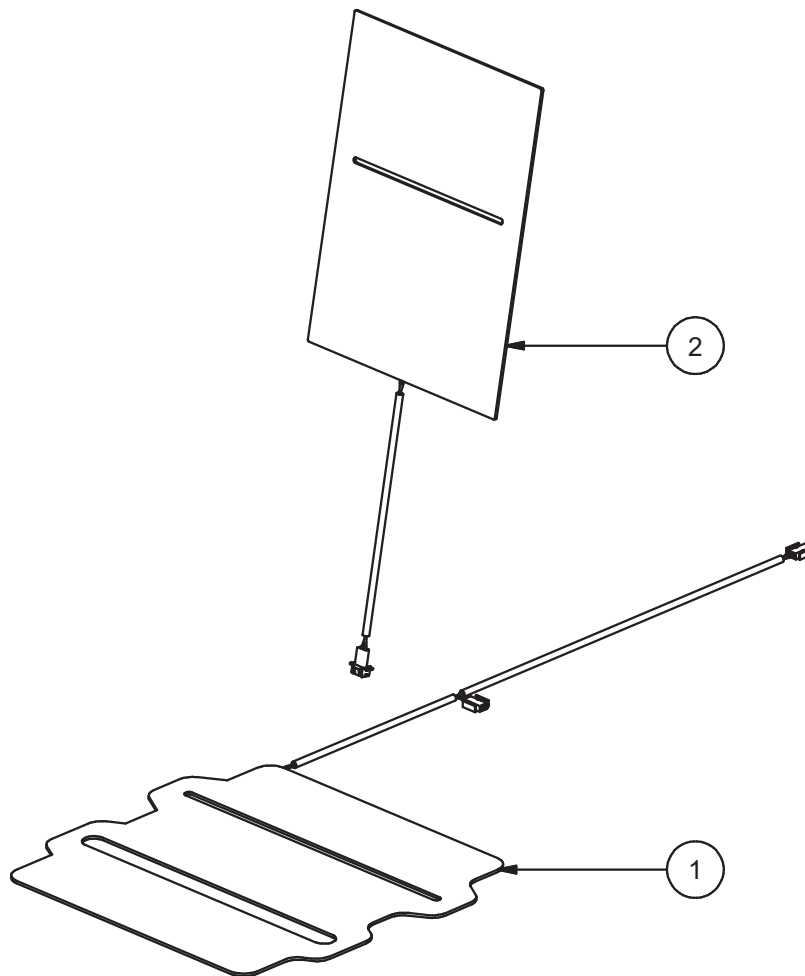


Fig.	Part. No.	Quantity	Description
1	500567	1	HEATING ELEMENT 24V
2	500568	1	HEATING ELEMENT 24V



Parts Replacements List

**603124**  
**MICRO SWITCH IP40**  
**9000**

Valid from 070611 to

Doc. R1-603124

Date 120507

Rev. 0

Rev.Date

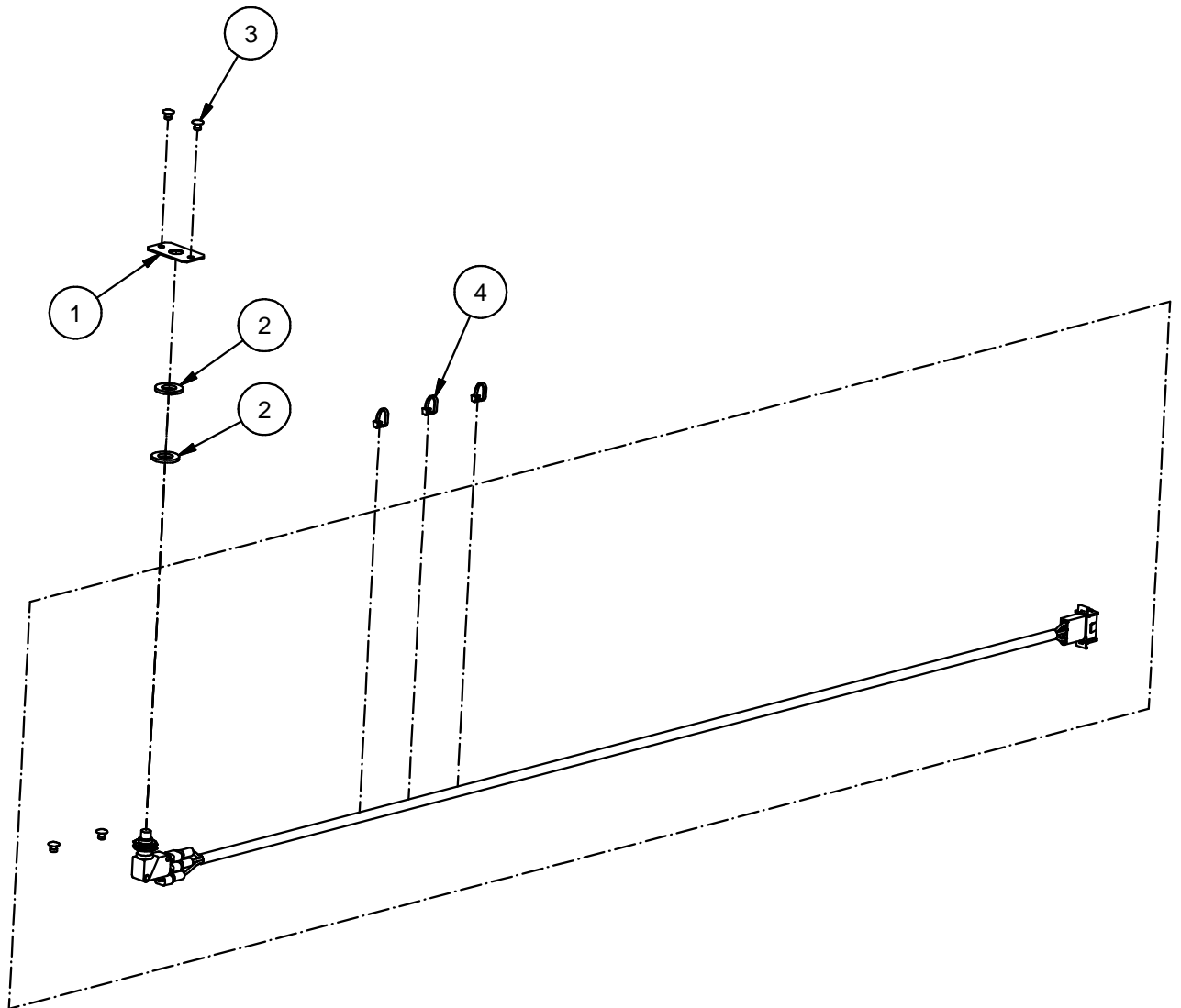


Fig.	Part. No.	Quantity	Description		
1	628684	1	BRACKET MICROSWITCH		
2	561027	2	WASHER	10.5x20x2	
3	653000	4	RIVET AL/ST	4.0x7	AP/D BS
4	500317	3	CABLE TIE	200x4.6	WHITE
5	629342	1	MICROSWITCH IP40		



Parts Replacements List

**603125**  
**MICRO SWITCH IP40 + BUZZER 12V**  
**9000**

Valid from 070611 to

Doc. R1-603125

Date 120507

Rev. 0

Rev.Date

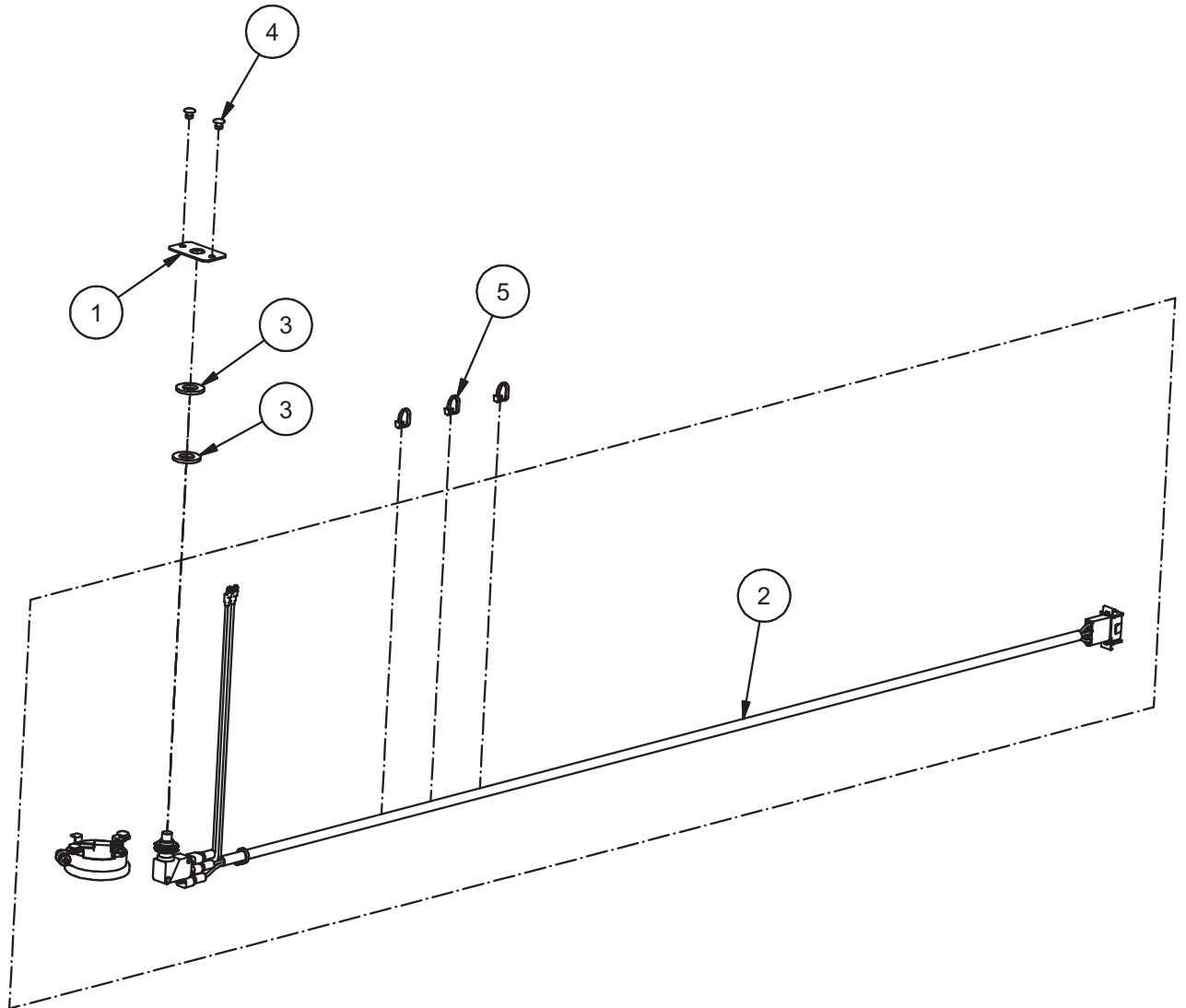


Fig.	Part. No.	Quantity	Description		
1	628684	1	BRACKET MICROSWITCH		
2	629348	1	MICRO SWITCH IP40 + BUZZER 12V		
3	561027	2	WASHER	10.5x20x2	
4	653000	4	RIVET AL/ST	4.0x7	AP/D BS
5	500317	3	CABLE TIE	200x4.6	WHITE

**BE - GE**

Parts Replacements List

**603126****MICRO SWITCH IP40+BUZZER 24V****9000**

Valid from 070611 to

Doc. R1-603126

Date 110428

Rev. 0

Rev.Date

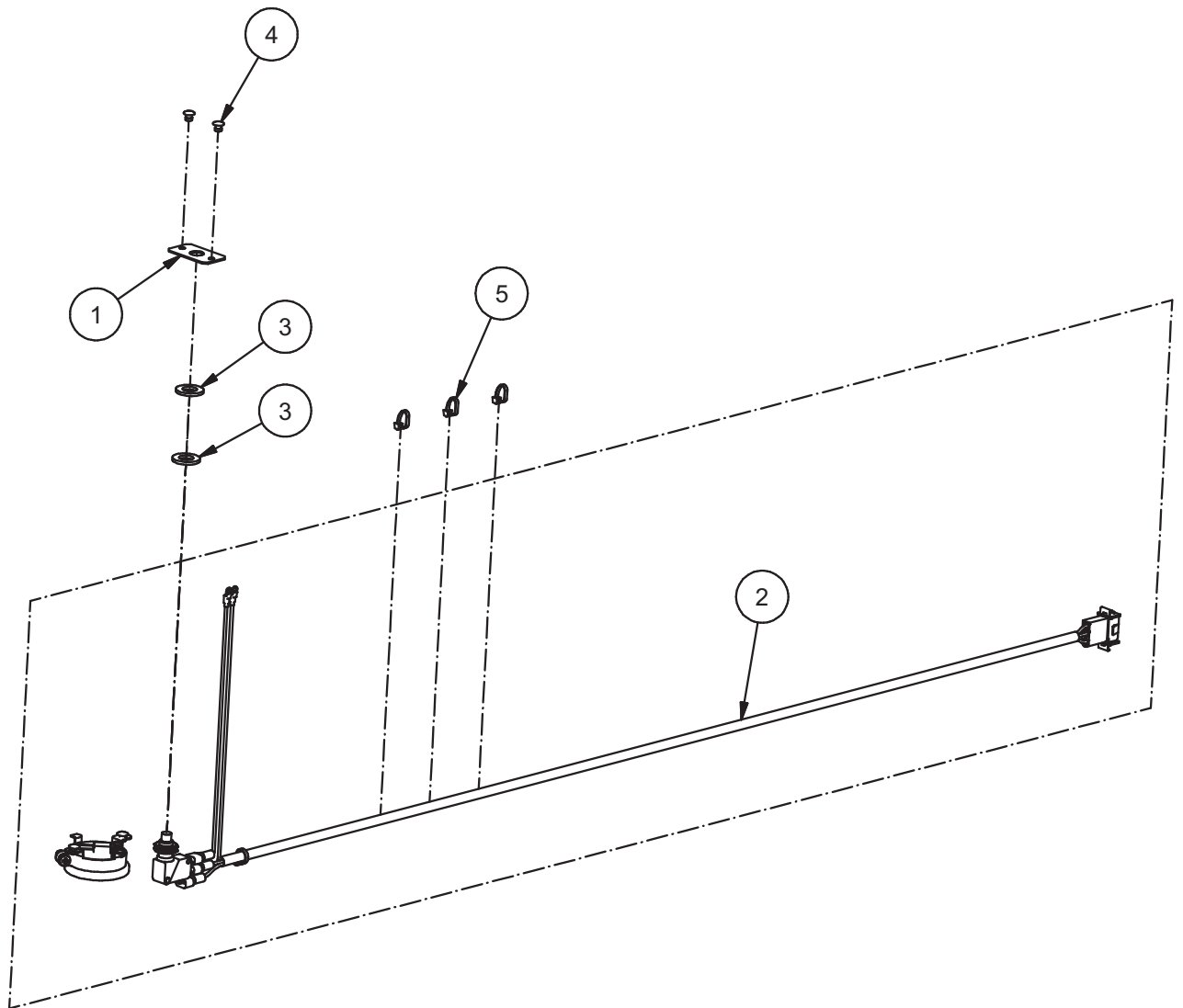


Fig.	Part. No.	Quantity	Description		
1	628684	1	BRACKET MICROSWITCH		
2	629349	1	MICRO SWITCH IP40		
3	561027	2	WASHER	10.5x20x2	
4	653000	4	RIVET AL/ST	4.0x7	AP/D BS
5	500317	3	CABLE TIE	200x4.6	WHITE



Parts Replacements List

**603127**  
**MICRO SWITCH IP57**  
**9000**

Valid from 070611 to

Doc. R1-603127

Date 120504

Rev. 0

Rev.Date

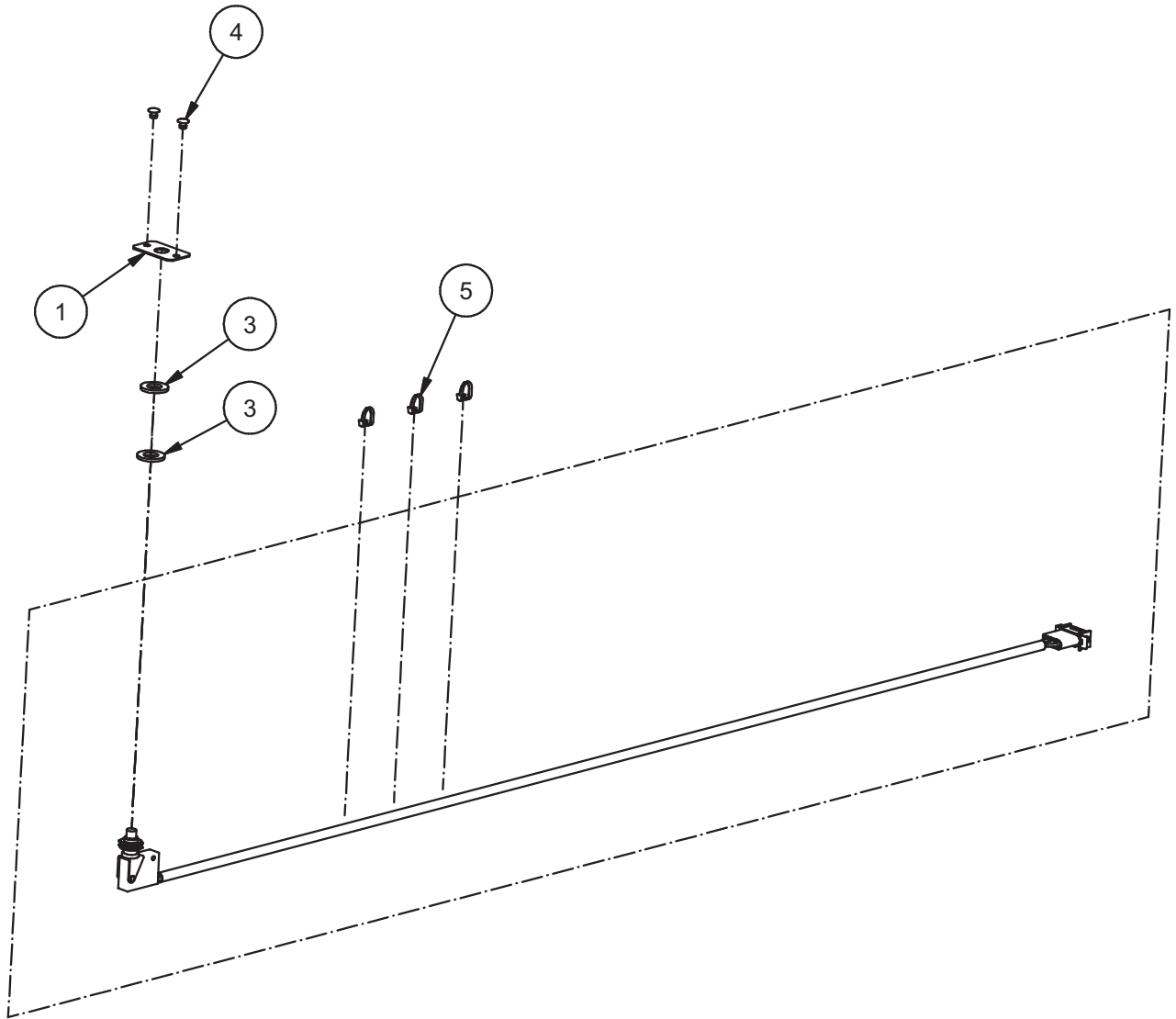


Fig.	Part. No.	Quantity	Description		
1	628684	1	BRACKET MICROSWITCH		
3	561027	2	WASHER	10.5x20x2	
4	653000	2	RIVET AL/ST	4.0x7	AP/D BS
5	500317	3	CABLE TIE	200x4.6	WHITE
7	629346	1	MICROSWITCH IP57		



Parts Replacements List

**603128**  
**MICRO SWITCH IP57+BUZZER 12V**  
**9000**

Valid from 070611 to

Doc. R1-603128

Date 120504

Rev. 0

Rev.Date

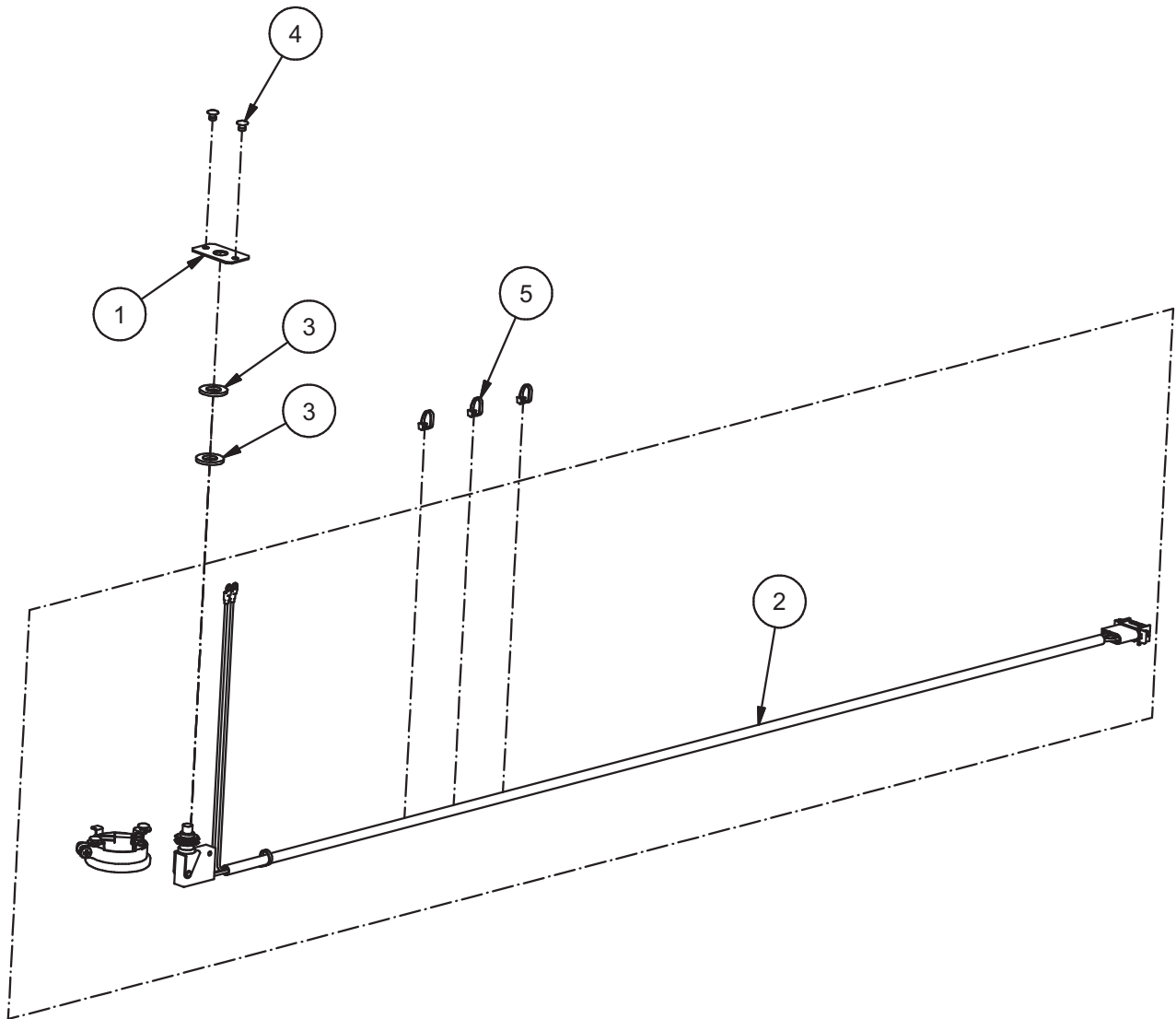


Fig.	Part. No.	Quantity	Description		
1	628684	1	BRACKET MICROSWITCH		
2	629350	1	MICRO SWITCH IP57 + BUZZER 12V		
3	561027	2	WASHER	10.5x20x2	
4	653000	4	RIVET AL/ST	4.0x7	AP/D BS
5	500317	3	CABLE TIE	200x4.6	WHITE





Parts Replacements List

**603129**

**MICRO SWITCH IP57+BUZZER 24V**

**9000**

Valid from 070611 to

Doc. R1-603129

Date 120504

Rev. 0

Rev.Date

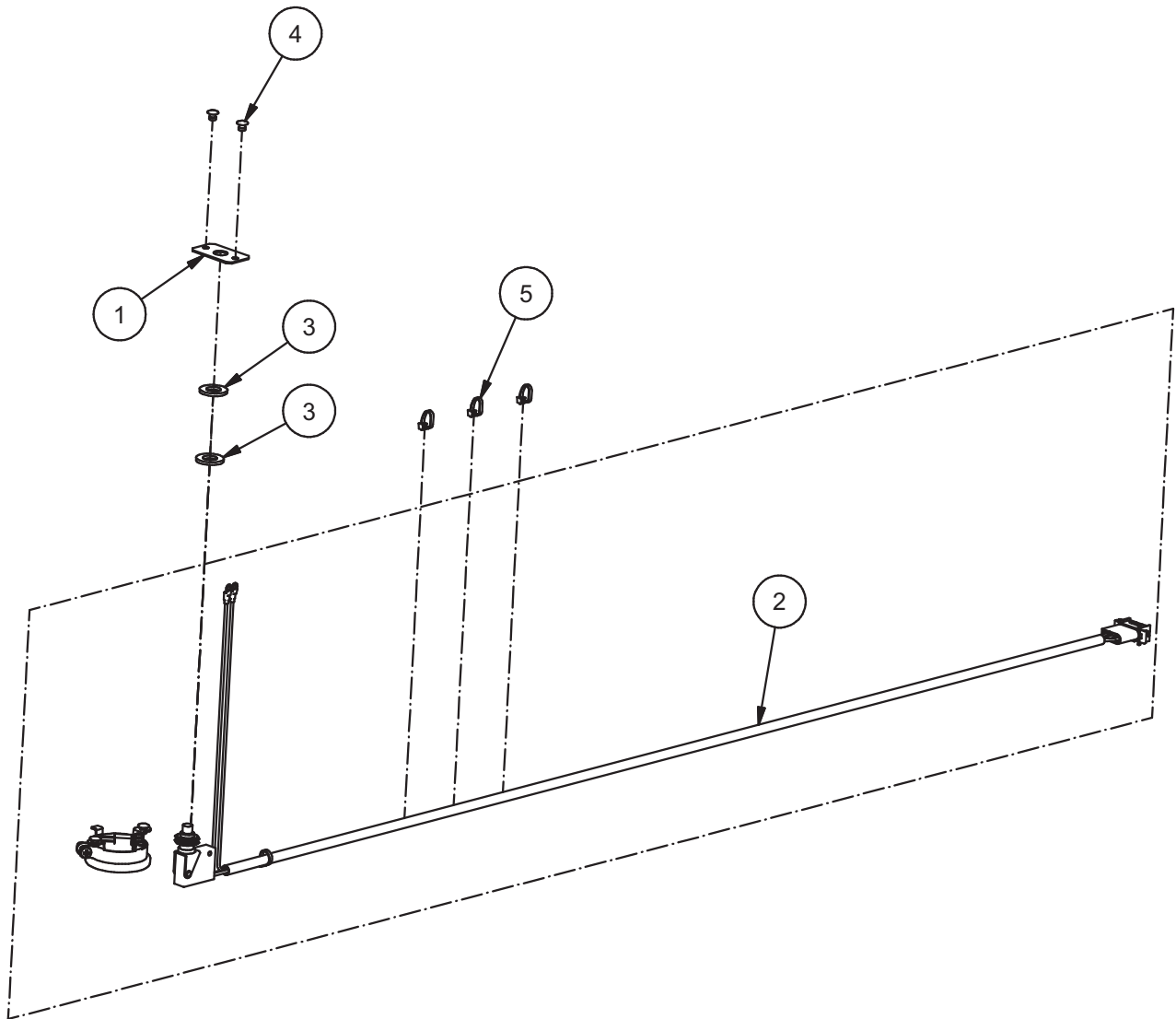


Fig.	Part. No.	Quantity	Description		
1	628684	1	BRACKET MICROSWITCH		
2	629351	1	MICRO SWITCH IP57		
3	561027	2	WASHER	10.5x20x2	
4	653000	4	RIVET AL/ST	4.0x7	AP/D BS
5	500317	3	CABLE TIE	200x4.6	WHITE



Parts Replacements List

**603000**  
**SHOCK ABSORBER MECHANICAL**  
**9000**

Valid from 980901 to

Doc. R1-603000

Date 130404

Rev. 0

Rev.Date

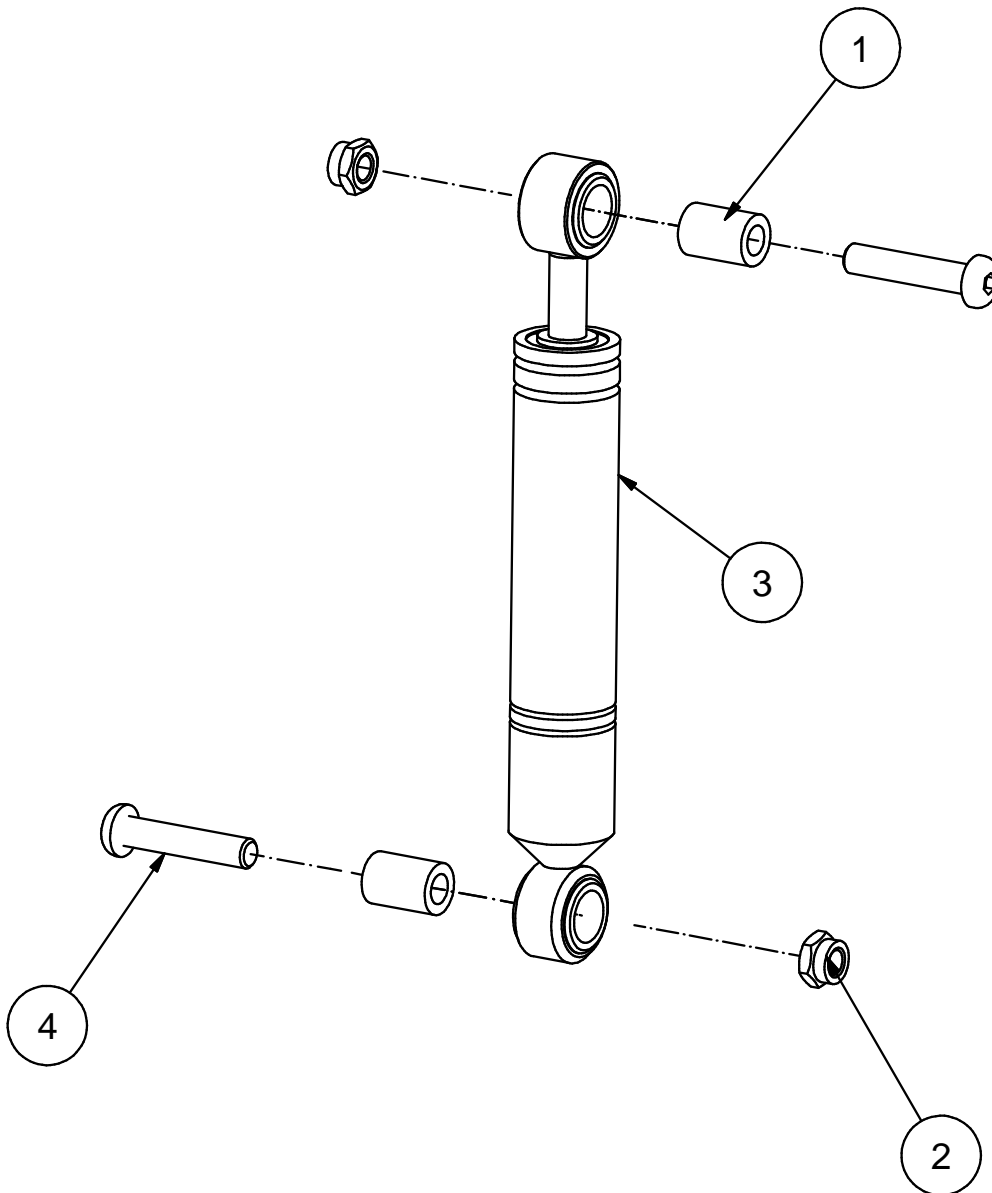


Fig.	Part. No.	Quantity	Description		
1	620085	2	BUSHING		
2	210401	2	LOCKING NUT	M8	DIN6925 ZN K8
3	500122	1	SHOCK ABSORBER		
4	650045	2	SCREW K6S	M8x40	ISO7380 ZN 10.9



Parts Replacements List

**603114**  
**SIDE SUPPORT BACKREST**  
**9000**

Valid from 051027 to

Doc. R1-603114

Date 100518

Rev.

Rev.Date

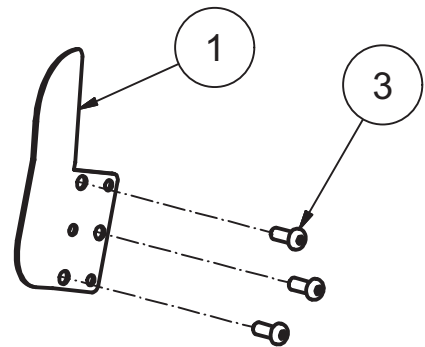
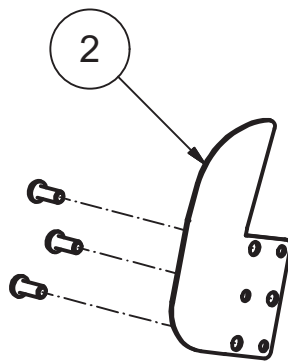


Fig.	Part. No.	Quantity	Description		
1	628868	1	SIDE SUPPORT LEFT		
2	628869	1	SIDE SUPPORT RIGHT		
3	650059	6	SCREW K6S	M8x20	ZN 10.9
4	673294	1	CLEANING NAPKIN 3M VHB		(NOT IN EXPLODED VIEW)
5	673293	0.16 LPM	TAPE 3M 5925	W=19 MM	(NOT IN EXPLODED VIEW)



Parts Replacements List

**603115**  
**SIDE SUPPORT BACKREST QR**  
**9000**

Valid from 970813 to

Doc. R1-603115

Date 120504

Rev. 0

Rev.Date

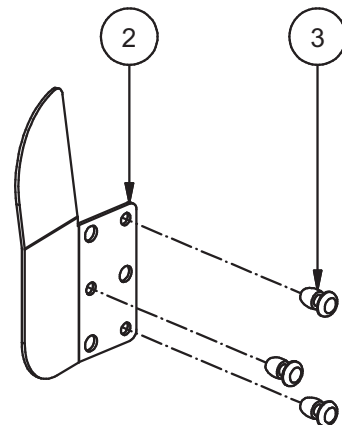
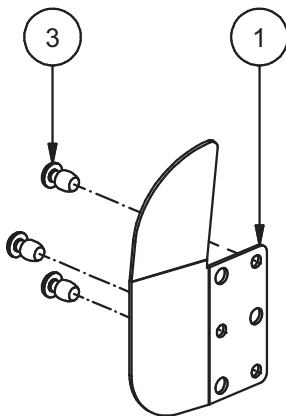


Fig.	Part. No.	Quantity	Description		
1	628869	1	SIDE SUPPORT RIGHT		
2	628868	1	SIDE SUPPORT LEFT		
3	500220	6	RIVET ST/ST	6,4x15	SP/D BS
4	673294	1	CLEANING NAPKIN 3M VHB		(NOT IN EXPLODED VIEW)
5	673293	1	TAPE 3M 5925	W=19 MM	(NOT IN EXPLODED VIEW)