



Parts Replacements List

9510
Be-Ge

Doc. R1-9510

Date 130522

Rev. 0

Valid from 850101 to

Rev.Date





Parts Replacements List

621191
BASE 9510F

Valid from 081222 to

Doc. R1-621191

Date 120516

Rev. 0

Rev.Date

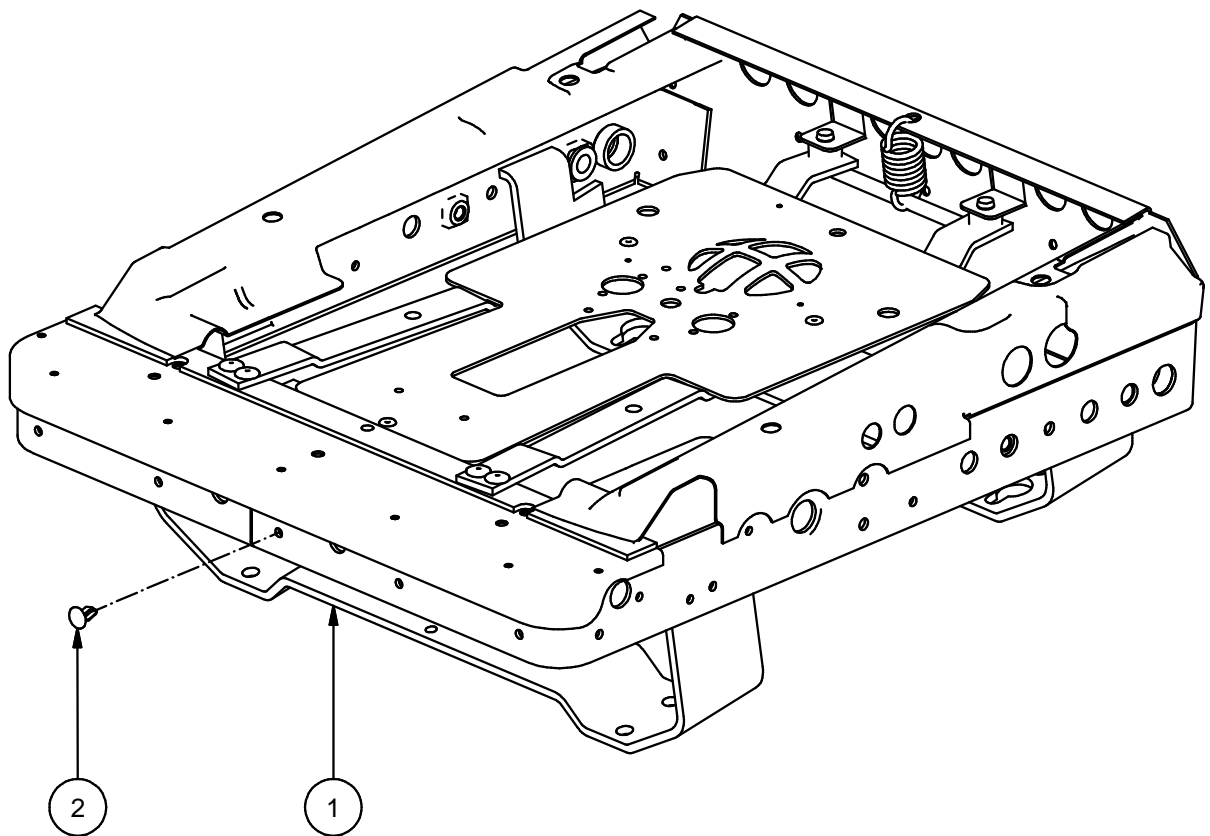


Fig.	Part. No.	Quantity	Description
1	621191	1	BASE 9510
2	660143	1	CLIP



Parts Replacements List

620061
BACKREST 640 3PB LEFT
9000

Valid from 891214 to

Doc. R1-620061

Date 100705

Rev. 0

Rev.Date

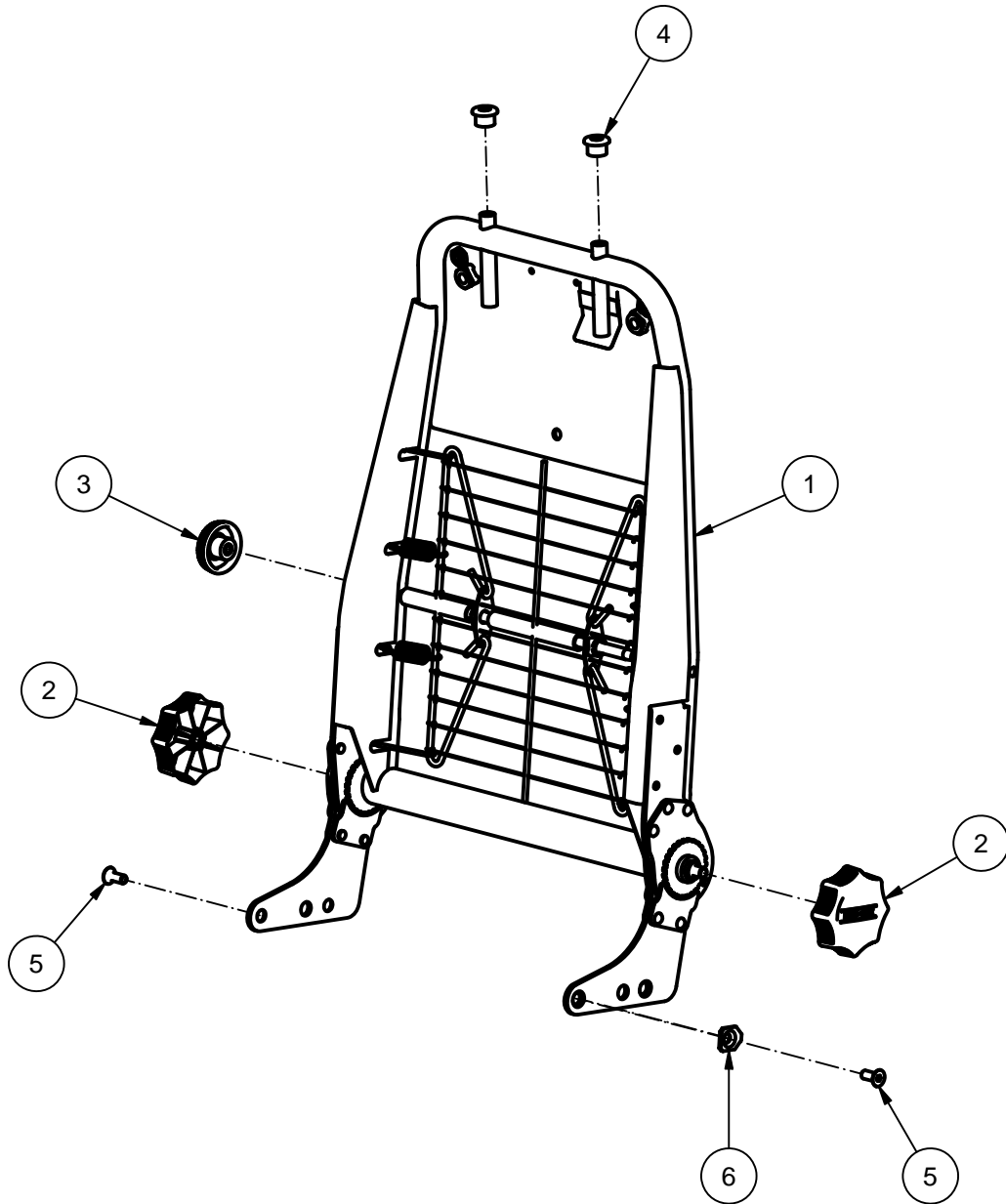


Fig.	Part. No.	Quantity	Description		
1	628092	1	BACK FRAME 640 9000		
2	621408	2	HAND WHEEL M10		
3	500279	1	HANDWHEEL M8		
4	500385	2	HEADREST GROMMET		
5	310930	2	SCREW MF6S	M8x20	DIN7991 ZN-BL 10.9
6	620143	1	EXCENTER WASHER		



Parts Replacements List

621248
BACKFRAME 640V BM 4-WAY LS
7110

Valid from 970401 to

Doc. R1-621248

Date 120608

Rev. 0

Rev.Date

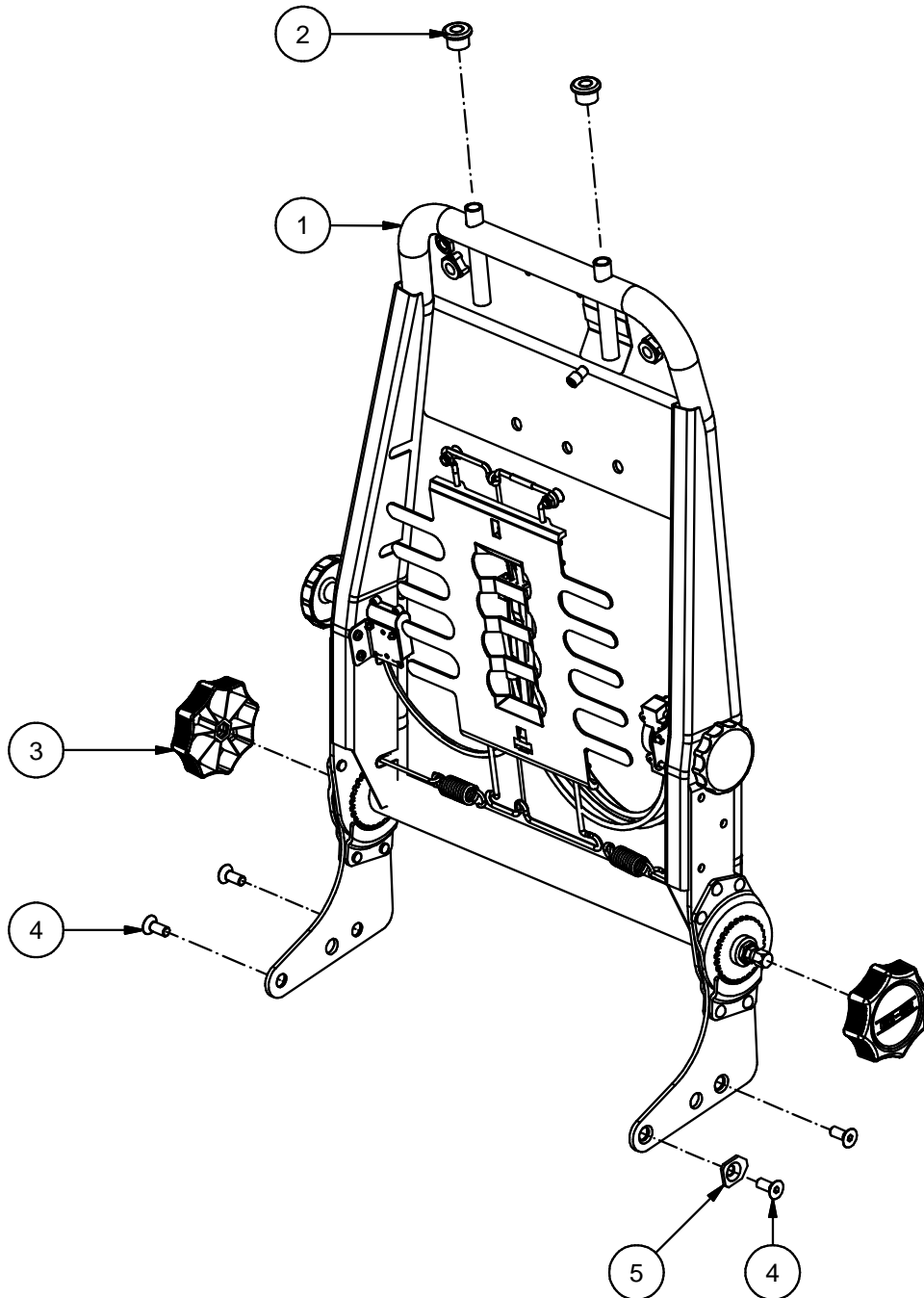


Fig.	Part. No.	Quantity	Description		
1	628099	1	BACKREST CPL 640 9000		
2	500385	2	HEADREST GROMMET		
3	621408	2	HAND WHEEL M10		
4	310930	4	SCREW MF6S	M8x20	DIN7991 ZN-BL 10.9
5	620143	1	EXCENTER WASHER		



Parts Replacements List

628885
BACK FRAME 640QR
9000

Valid from 051104 to

Doc. R1-628885

Date 120608

Rev. 0

Rev.Date

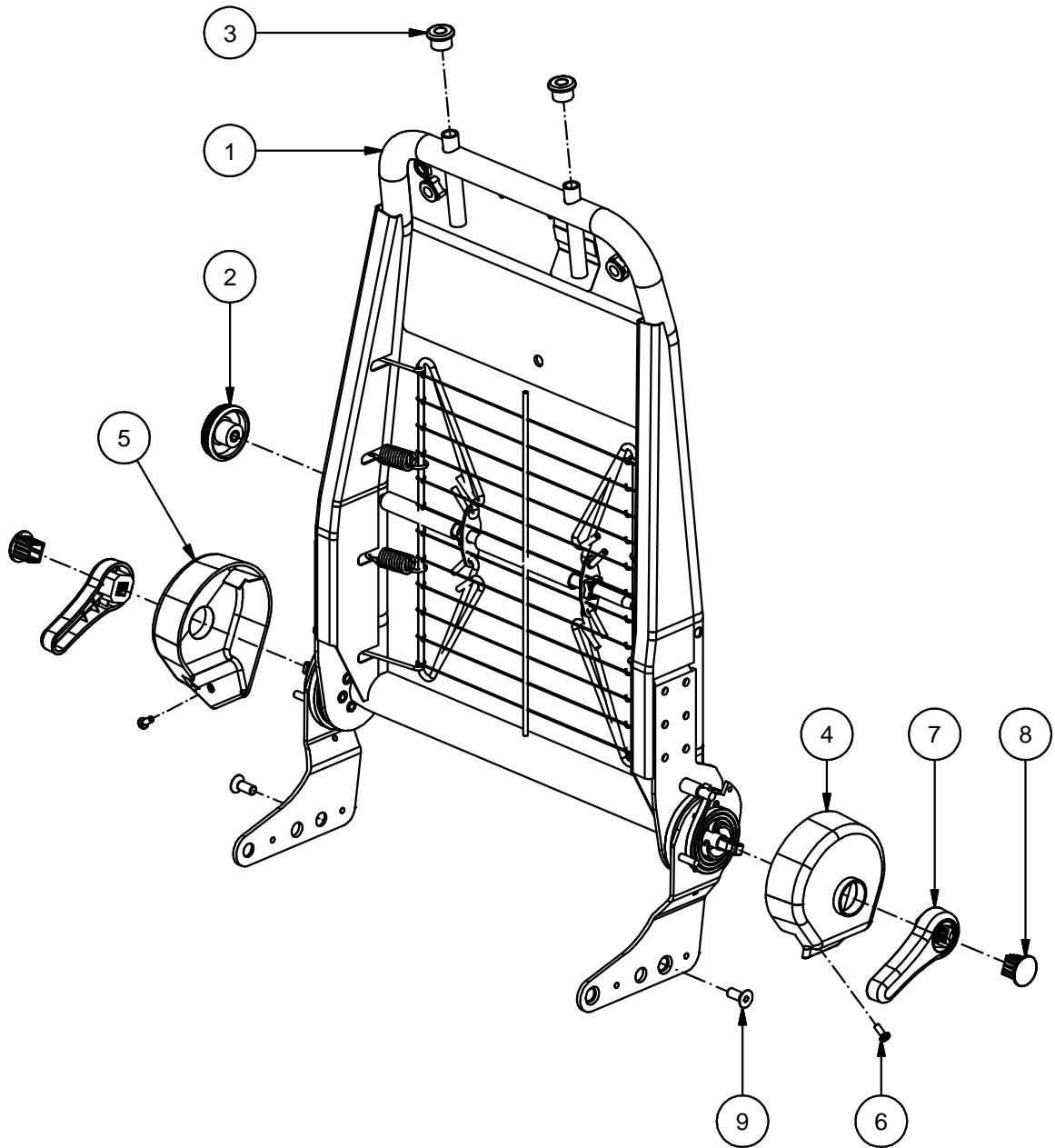


Fig.	Part. No.	Quantity	Description		
1	628864	1	BACKFRAME 640 QR		
2	500279	1	HANDWHEEL M8		
3	500385	2	HEADREST GROMMET		
4	628831	1	COVER LEFT		
5	628832	1	COVER RIGHT		
6	650126	2	SCREW MRT-TT	M5x12	ISO7045 ZN BLACK
7	628833	2	GRIP		
8	628834	2	CAP GRIP		
9	310930	2	SCREW MF6S	M8x20	DIN7991 ZN-BL 10.9



Parts Replacements List

629151
BACK FRAME 640QR 4-WAY LS
9000

Valid from 060607 to

Doc. R1-629151

Date 120608

Rev. 0

Rev.Date

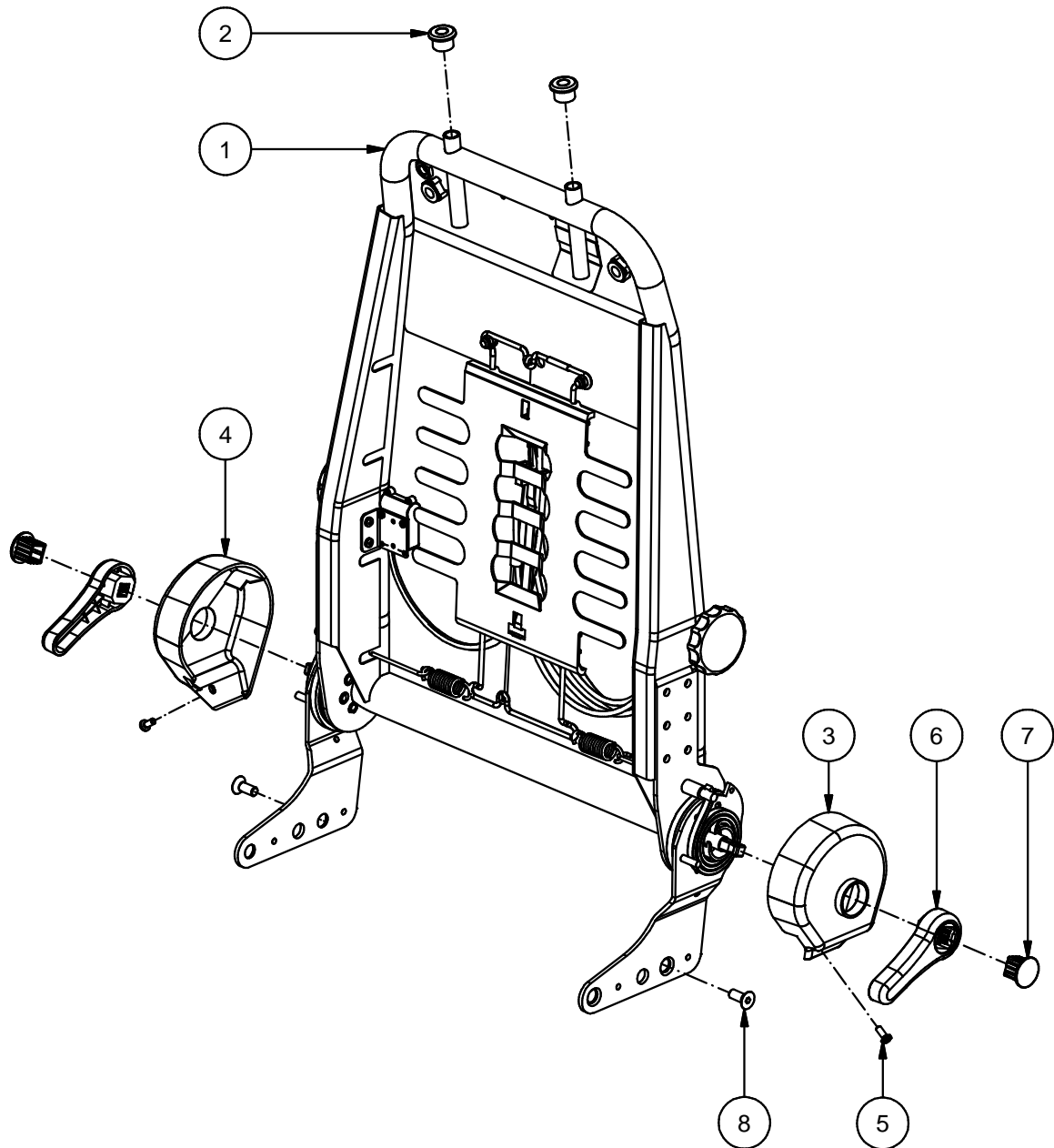


Fig.	Part. No.	Quantity	Description		
1	629005	1	ASSEMBLE BACKREST 640 QR		
2	500385	2	HEADREST GROMMET		
3	628831	1	COVER LEFT		
4	628832	1	COVER RIGHT		
5	650126	2	SCREW MRT-TT	M5x12	ISO7045 ZN BLACK
6	628833	2	GRIP		
7	628834	2	CAP GRIP		
8	310930	2	SCREW MF6S	M8x20	DIN7991 ZN-BL 10.9



Parts Replacements List

620670
BELT KIT 3P LEFT
9000

Valid from 920504 to

Doc. R1-620670

Date 120608

Rev. 0

Rev.Date

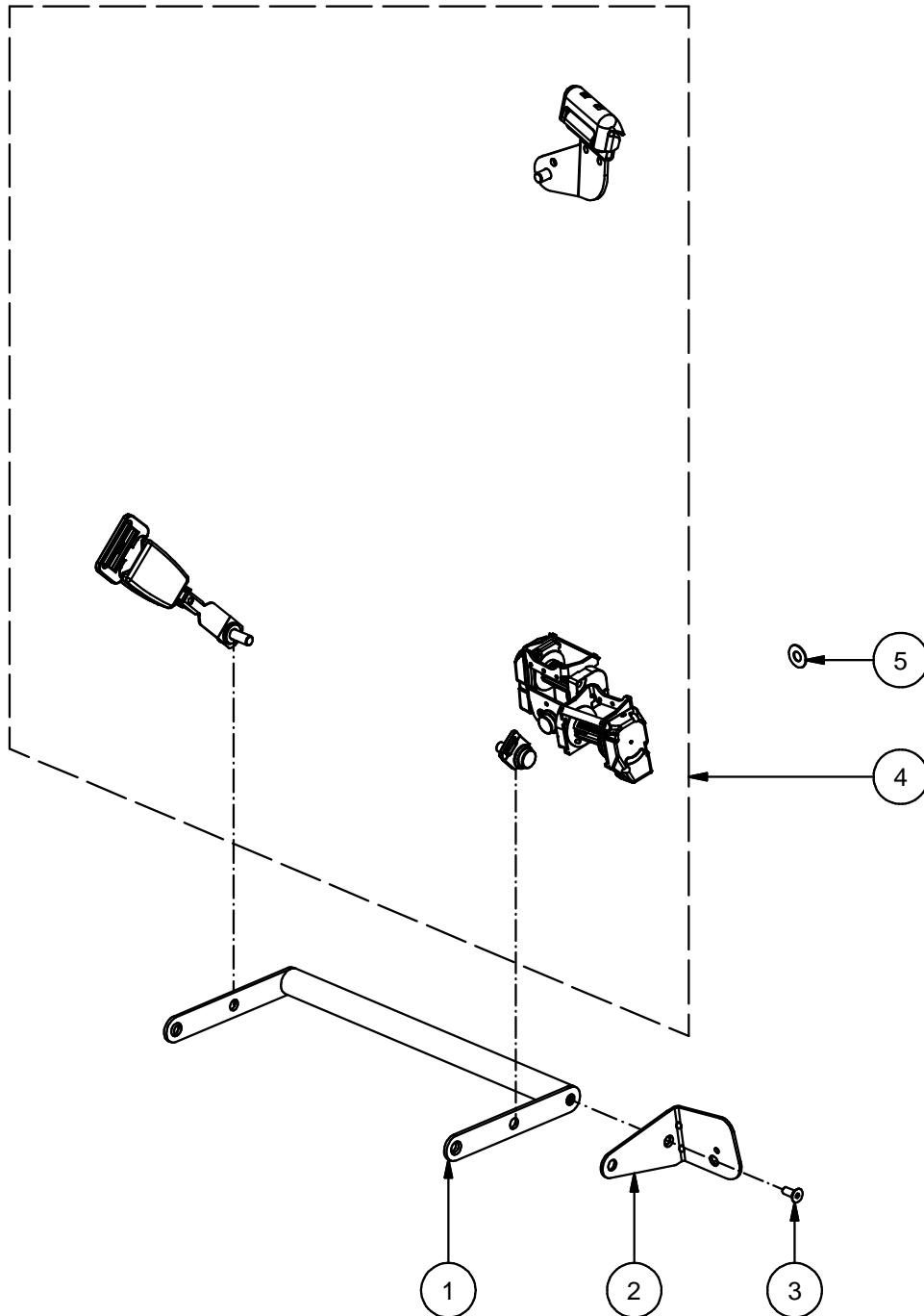


Fig.	Part No.	Quantity	Description		
1	620074	1	YOKE		
2	620077	1	BRACKET LEFT		
3	310930	1	SCREW MF6S	M8x20	DIN7991 ZN-BL 10.9
4	620086	1	SAFETY BELT 3P LH		
5	652020	1	WASHER	11.2x26x1.0	ZN YELLOW



Parts Replacements List

628571
TRIM KIT SEAT CUSHION NIGHTFALL
9000

Valid from 040501 to

Doc. R1-628571

Date 081124

Rev.

Rev.Date

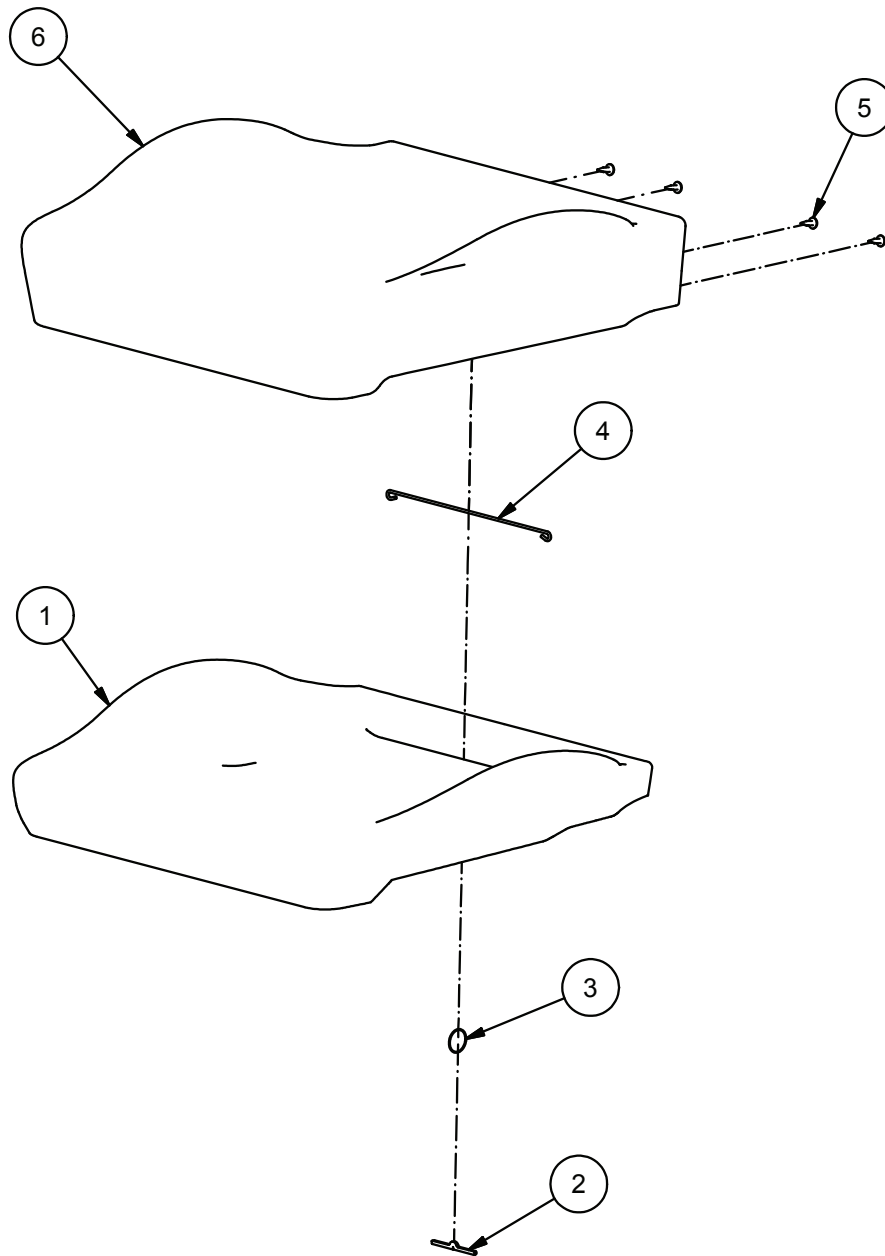


Fig.	Part. No.	Quantity	Description
1	500190	1	FOAM CUSHION
2	621404	1	BARETT PIN
3	660057	1	LOOPS 30 MM
4	620140	1	BRACKET L=230
5	500214	4	PLASTIC RIVET
6	641329	1	TRIM CUSHION

NIGHTFALL



Parts Replacements List

628572

TRIM KIT SEAT CUSHION CT NIGHTFALL

9000

Valid from 040501 to

Doc. R1-628572

Date 110428

Rev. 0

Rev.Date

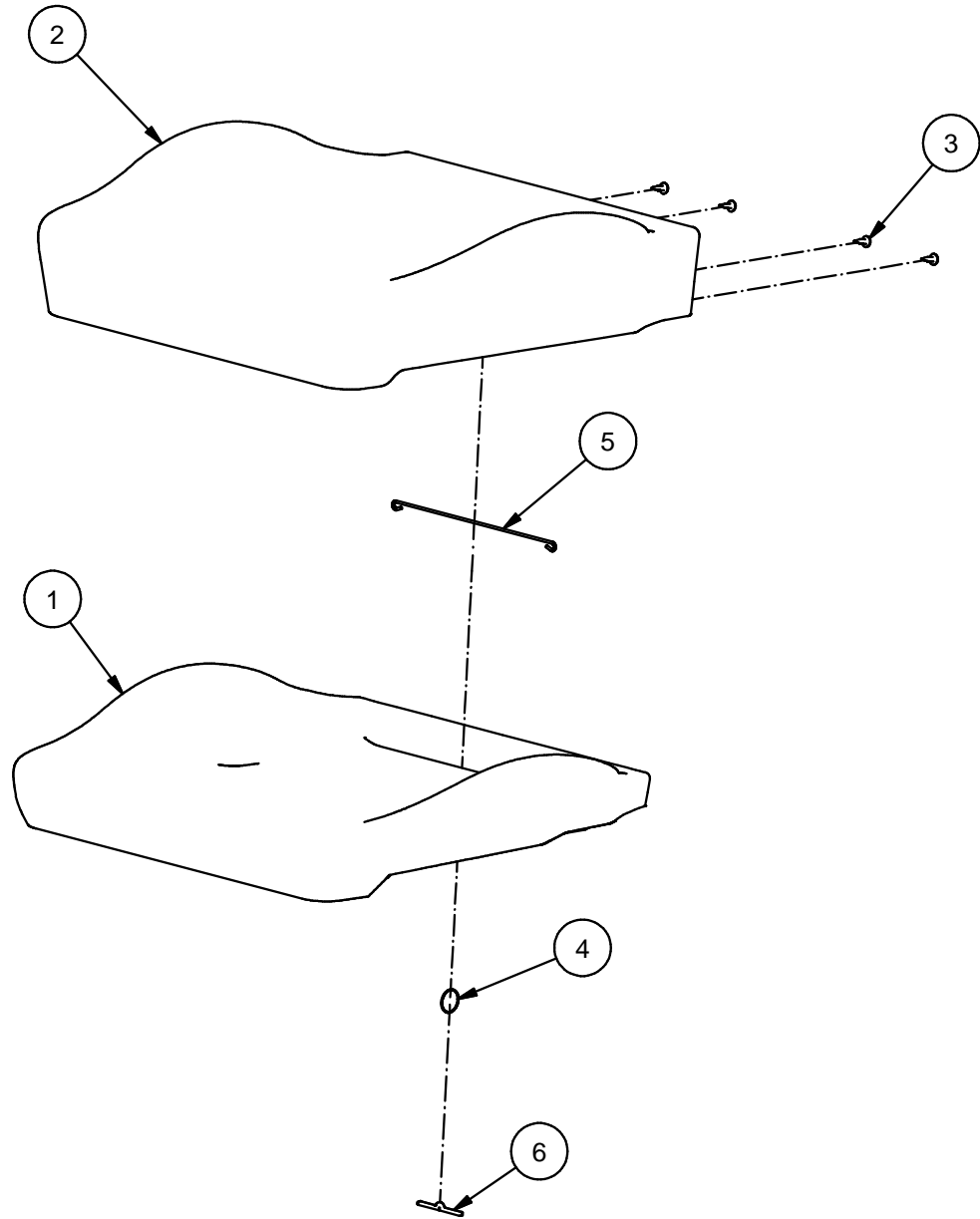


Fig.	Part. No.	Quantity	Description
1	500189	1	FOAM CUSHION
2	641329	1	TRIM CUSHION
3	500214	4	PLASTIC RIVET
4	660057	1	LOOPS 30 MM
5	620140	1	BRACKET L=230
6	621404	1	BARETT PIN



Parts Replacements List

628574

**TRIM KIT SEAT EPN NIGHTFALL
7130LC4**

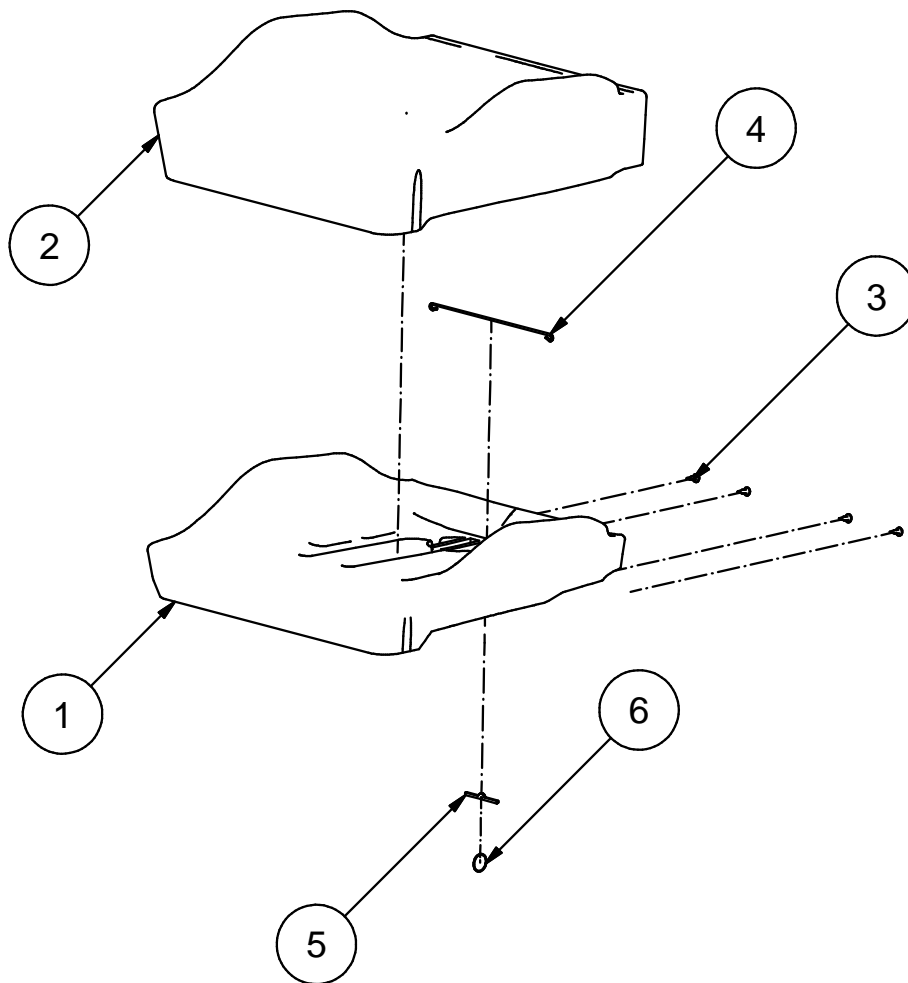
Valid from 110302 to

Doc. R1-628574

Date 110302

Rev. 0

Rev.Date



1	621388	1	FOAM CUSHION		
2	641330	1	TRIM SEAT		
3	500214	4	PLASTIC RIVET		
4	620140	1	BRACKET L=230		
5	621404	1	BARRET PIN		
6	660057	1	LOOPS 30MM		



Parts Replacements List

628597
TRIM KIT SEAT AIR 12V
NIGHTFALL

Valid from 040506 to

Doc. R1-628597

Date 120601

Rev. 0

Rev.Date

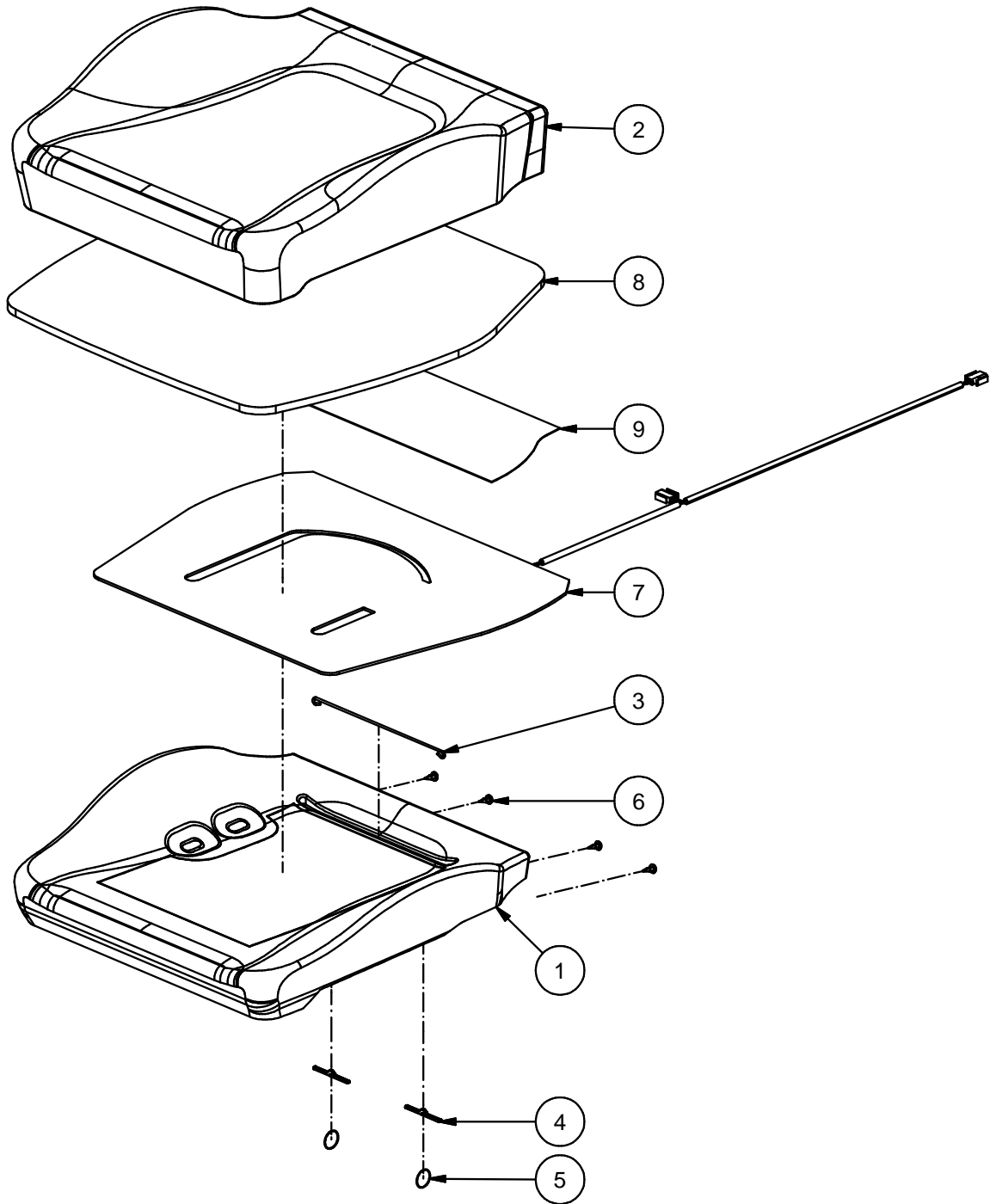


Fig.	Part. No.	Quantity	Description		
1	620453	1	FOAM SEAT CUSHION AIRVENT		
2	641329	1	TRIM CUSHION		NIGHTFALL
3	620140	1	BRACKET L=230		
4	621404	2	BARETT PIN		
5	660057	2	LOOPS 30 MM		
6	500214	4	PLASTIC RIVET		
7	621095	1	HEATING ELEMENT 12V AIRVENT		CUSHION
8	640016	1	POLYESTER WAD 10 MM SEAT		
9	640014	1	TRIM AIRVENT SEAT		



Parts Replacements List

628598
TRIM KIT SEAT AIR 24V
NIGHTFALL

Valid from 040506 to

Doc. R1-628598

Date 120531

Rev. 0

Rev.Date

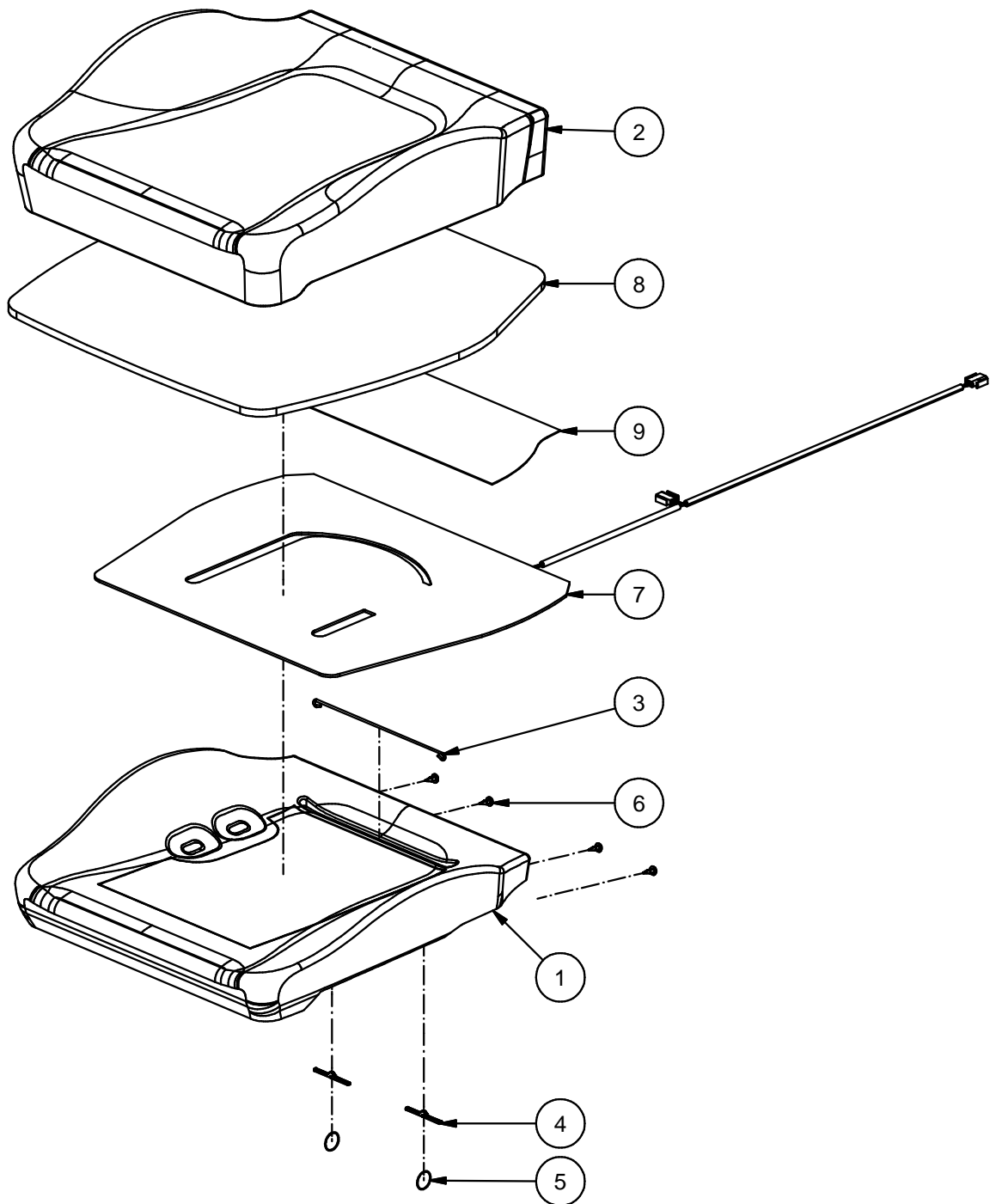


Fig.	Part. No.	Quantity	Description		
1	620453	1	FOAM SEAT CUSHION AIRVENT		
2	641329	1	TRIM CUSHION		NIGHTFALL
3	620140	1	BRACKET L=230		
4	621404	2	BARETT PIN		
5	660057	2	LOOPS 30 MM		
6	500214	4	PLASTIC RIVET		
7	621094	1	HEATING ELEMENT 24V AIRVENT		CUSHION
8	640016	1	POLYESTER WAD 10 MM SEAT		
9	640014	1	TRIM AIRVENT SEAT		



Parts Replacements List

620313

**TRIM KIT SEAT CUSHION ART. LEATHER GREY
9000**

Valid from 900810 to

Doc. R1-620313

Date 120509

Rev. 0

Rev.Date

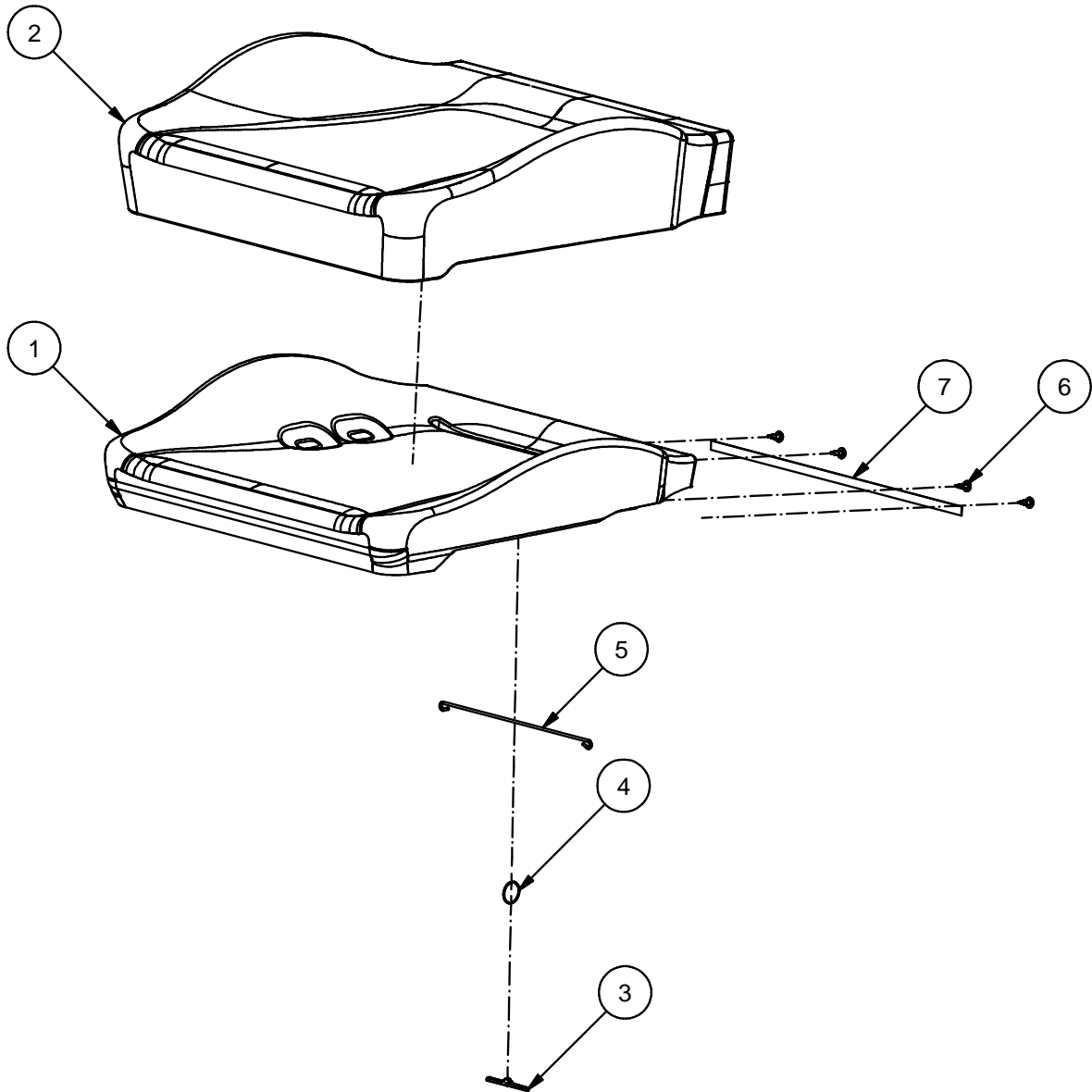


Fig.	Part. No.	Quantity	Description		
1	500190	1	FOAM CUSHION		
2	500958	1	TRIM CUSHION		ART. LEATHER GREY
3	621404	1	BARETT PIN		
4	660057	1	LOOPS 30 MM		
5	620140	1	BRACKET L=230		
6	500214	4	PLASTIC RIVET		
7	500281	1	PLASTIC STRIP		



Parts Replacements List

620319

**TRIM KIT SEAT CUSHION CT ART. LEA. GREY
9000**

Valid from 900810 to

Doc. R1-620319

Date 120509

Rev. 0

Rev.Date

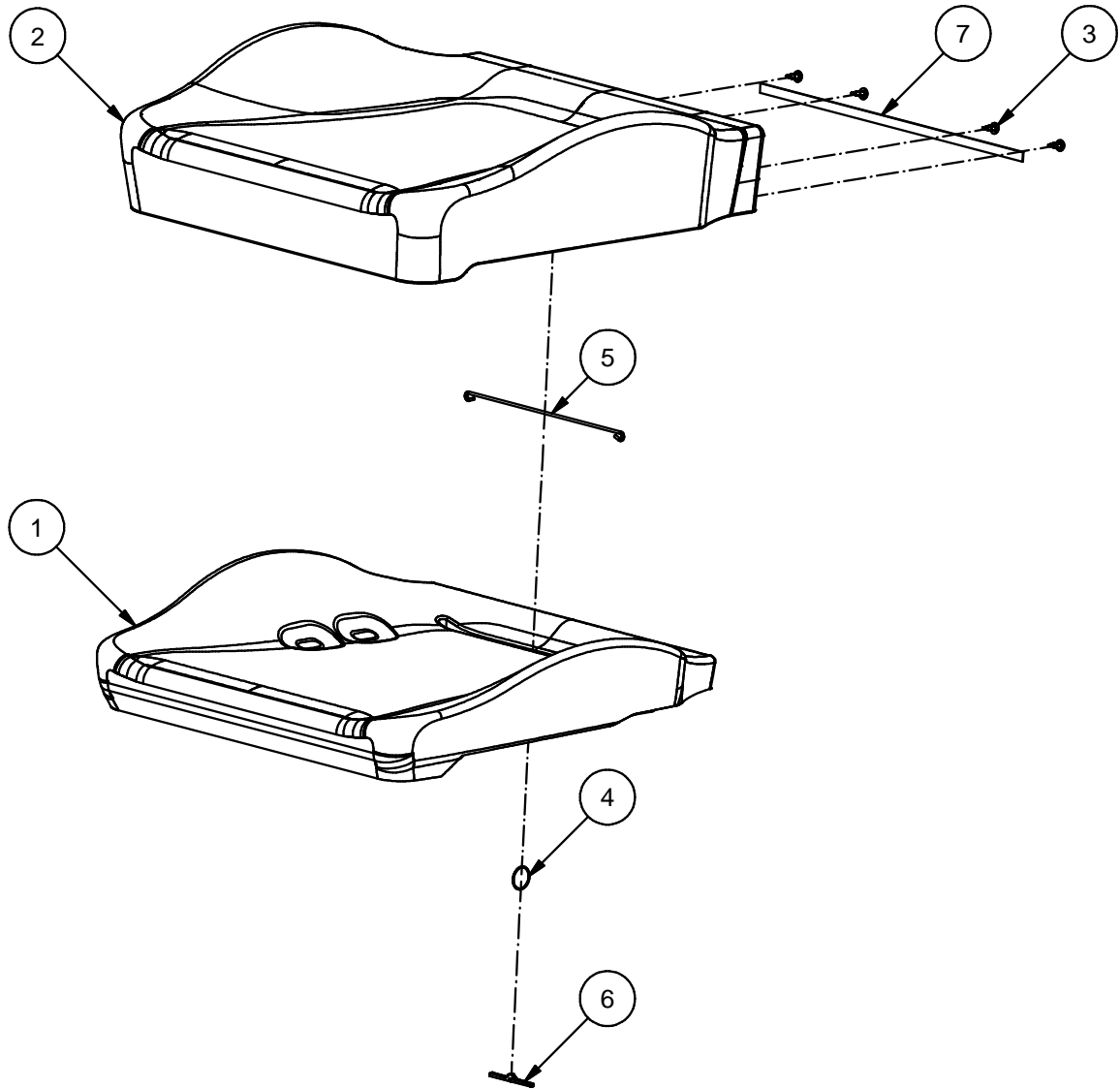


Fig.	Part. No.	Quantity	Description		
1	500189	1	FOAM CUSHION		
2	500958	1	TRIM CUSHION		ART. LEATHER GREY
3	500214	4	PLASTIC RIVET		
4	660057	1	LOOPS 30 MM		
5	620140	1	BRACKET L=230		
6	621404	1	BARETT PIN		
7	500281	1	PLASTIC STRIP		



Parts Replacements List

620323

**TRIM KIT SEAT CUSHION LEATHER GREY
9000**

Valid from 900810 to

Doc. R1-620323

Date 120613

Rev. 0

Rev.Date

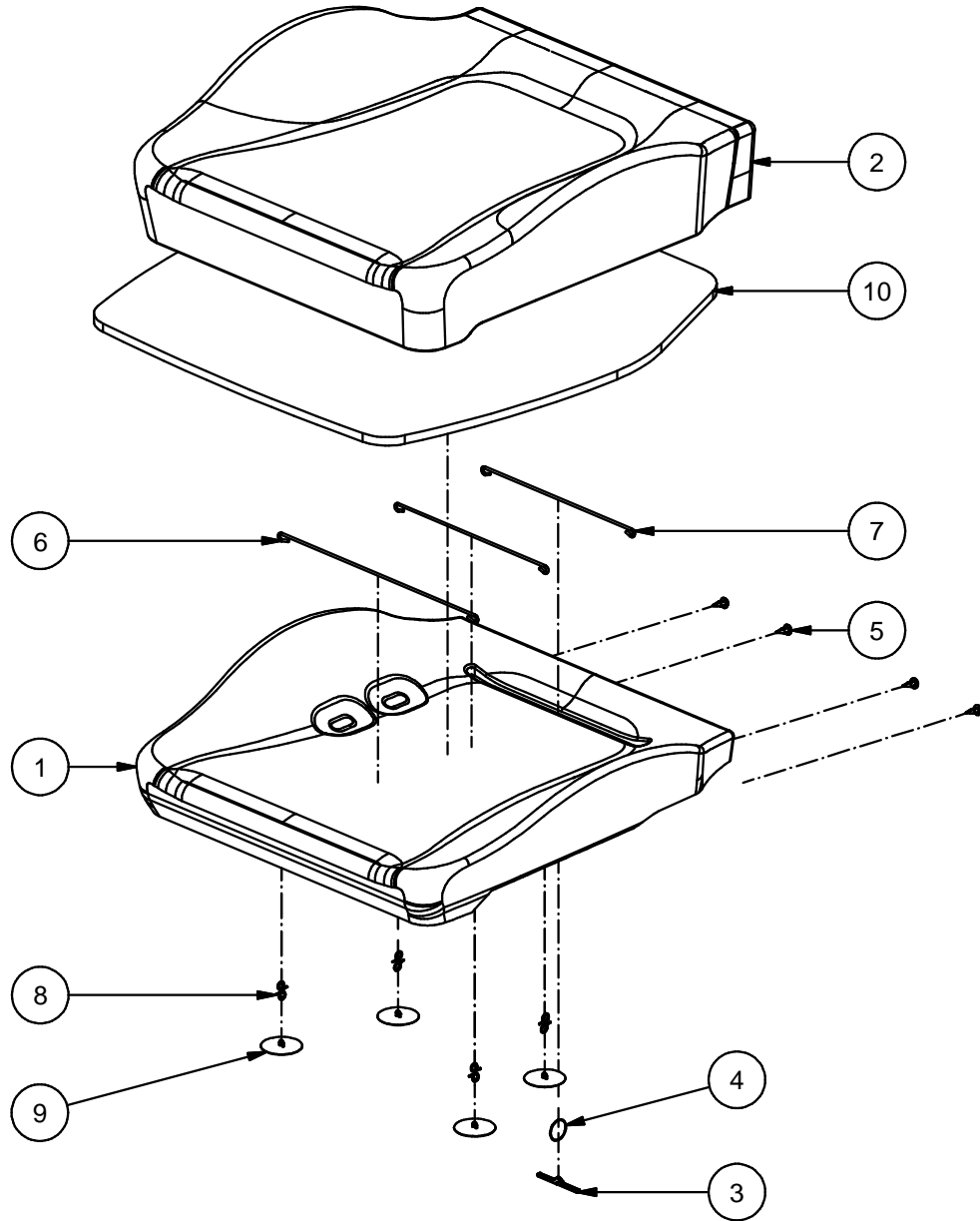


Fig.	Part. No.	Quantity	Description		
1	500190	1	FOAM CUSHION		
2	500586	1	TRIM CUSHION		LEATHER GREY BALTIQUE
3	621404	1	BARETT PIN		
4	660057	1	LOOPS 30 MM		
5	500214	4	PLASTIC RIVET		
6	620115	1	BRACKET L=300		
7	620140	2	BRACKET L=230		
8	660096	4	S-HOOK		L=22 Ø=1,5
9	500650	4	BACK BUTTON		Ø=22 WHITE
10	640016	1	POLYESTER WAD 10 MM SEAT		



Parts Replacements List

620329

**TRIM KIT SEAT CUSHION LEATHER GREY
9000**

Valid from 900810 to

Doc. R1-620329

Date 120613

Rev. 0

Rev.Date

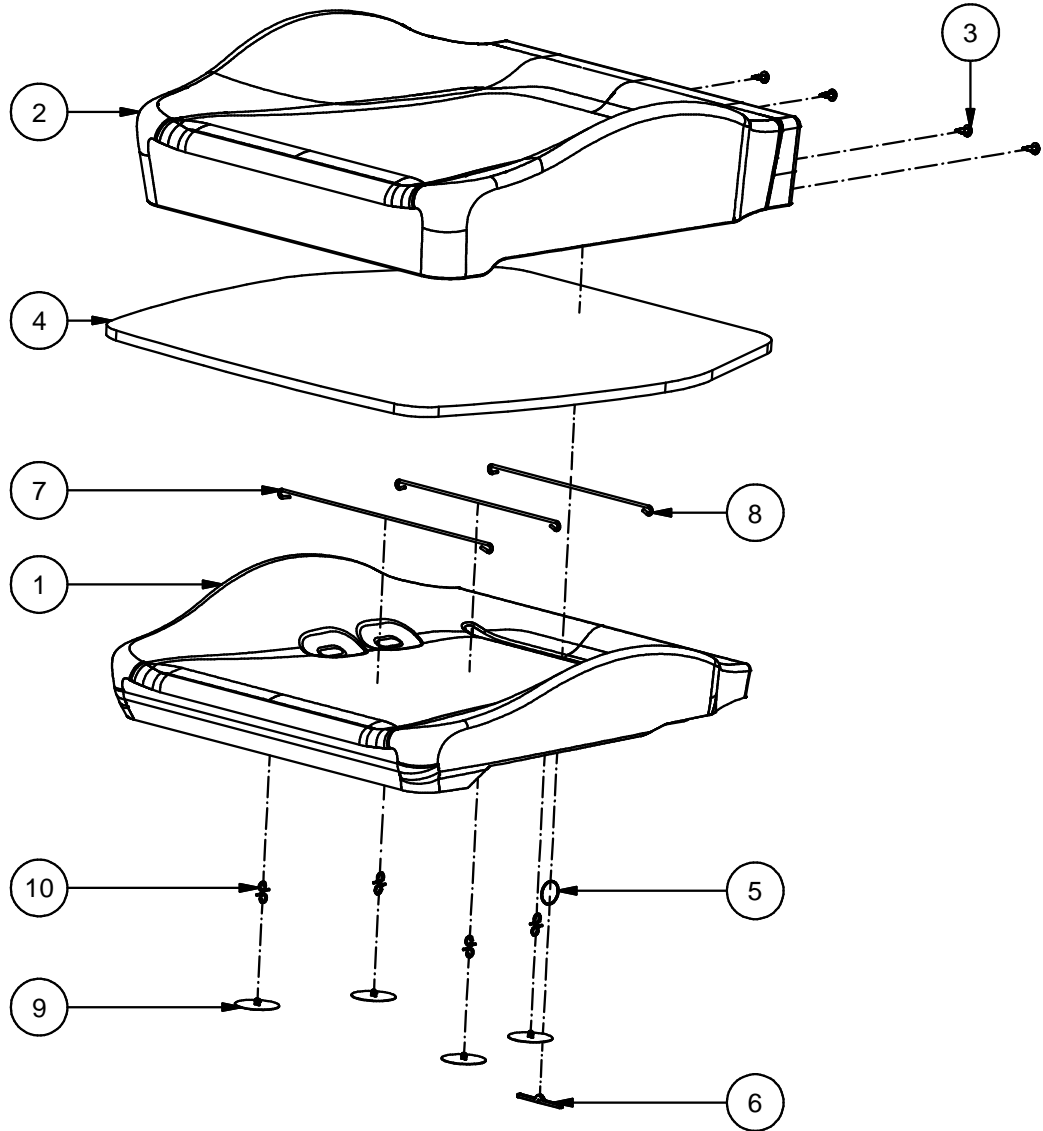


Fig.	Part. No.	Quantity	Description		
1	500189	1	FOAM CUSHION		
2	500586	1	TRIM CUSHION		LEATHER GREY BALTIQUE
3	500214	4	PLASTIC RIVET		
4	640016	1	POLYESTER WAD 10 MM SEAT		
5	660057	1	LOOPS 30 MM		
6	621404	1	BARETT PIN		
7	620115	1	BRACKET L=300		
8	620140	2	BRACKET L=230		
9	500650	4	BACK BUTTON		Ø=22 WHITE
10	660096	4	S-HOOK		L=22 Ø=1,5



Parts Replacements List

621133
TRIM KIT SEAT AIR 12V
CAMBORNE

Valid from 960308 to

Doc. R1-621133

Date 120613

Rev. 0

Rev.Date

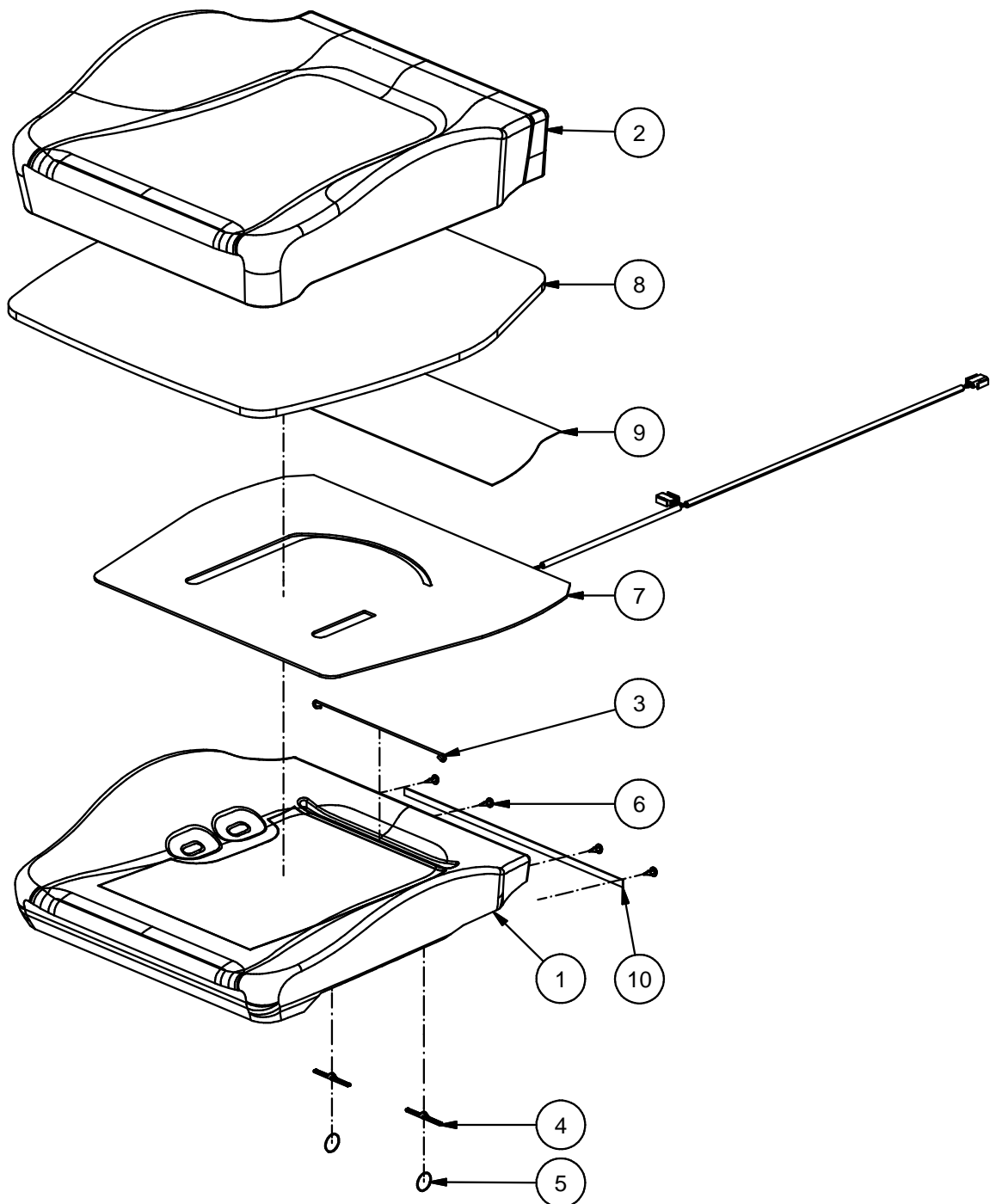


Fig.	Part. No.	Quantity	Description		
1	620453	1	FOAM SEAT CUSHION AIRVENT		
2	640467	1	TRIM CUSHION		CAMBORNE
3	620140	1	BRACKET L=230		
4	621404	2	BARETT PIN		
5	660057	2	LOOPS 30 MM		
6	500214	4	PLASTIC RIVET		
7	621095	1	HEATING ELEMENT 12V AIRVENT		CUSHION
8	640016	1	POLYESTER WAD 10 MM SEAT		
9	640014	1	TRIM AIRVENT SEAT		
10	500281	1	PLASTIC STRIP		



Parts Replacements List

628104
TRIM KIT SEAT AIR 24V
CAMBORNE

Valid from 030108 to

Doc. R1-628104

Date 120613

Rev. 0

Rev.Date

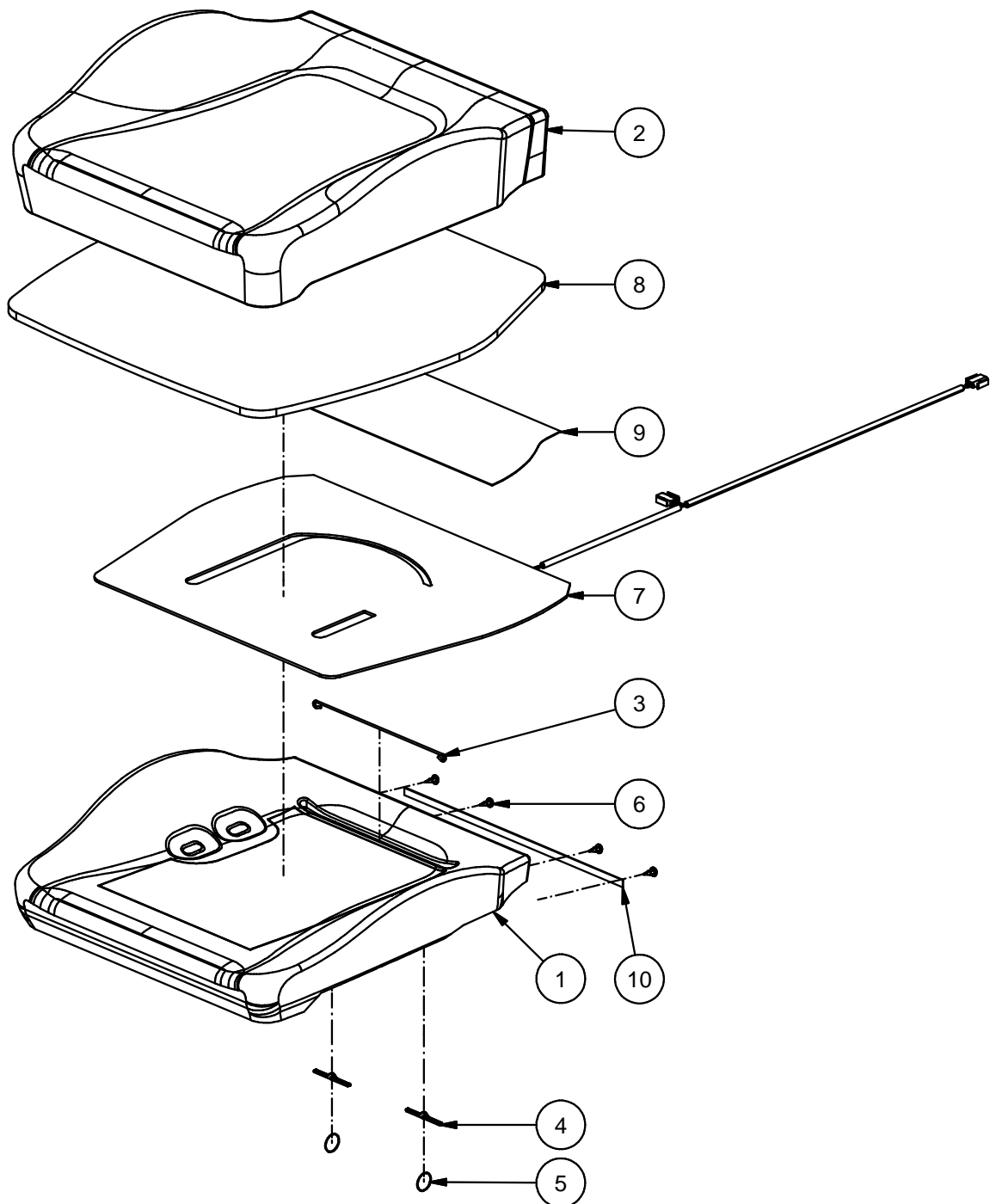


Fig.	Part. No.	Quantity	Description		
1	620453	1	FOAM SEAT CUSHION AIRVENT		
2	640467	1	TRIM CUSHION		CAMBORNE
3	620140	1	BRACKET L=230		
4	621404	2	BARETT PIN		
5	660057	2	LOOPS 30 MM		
6	500214	4	PLASTIC RIVET		
7	621094	1	HEATING ELEMENT 24V AIRVENT		CUSHION
8	640016	1	POLYESTER WAD 10 MM SEAT		
9	640014	1	TRIM AIRVENT SEAT		
10	500281	1	PLASTIC STRIP		



Parts Replacements List

620903

**TRIM KIT SEAT CUSHION PLUSH BLUE 84
9000**

Valid from 930208 to

Doc. R1-620903

Date 120509

Rev. 0

Rev.Date

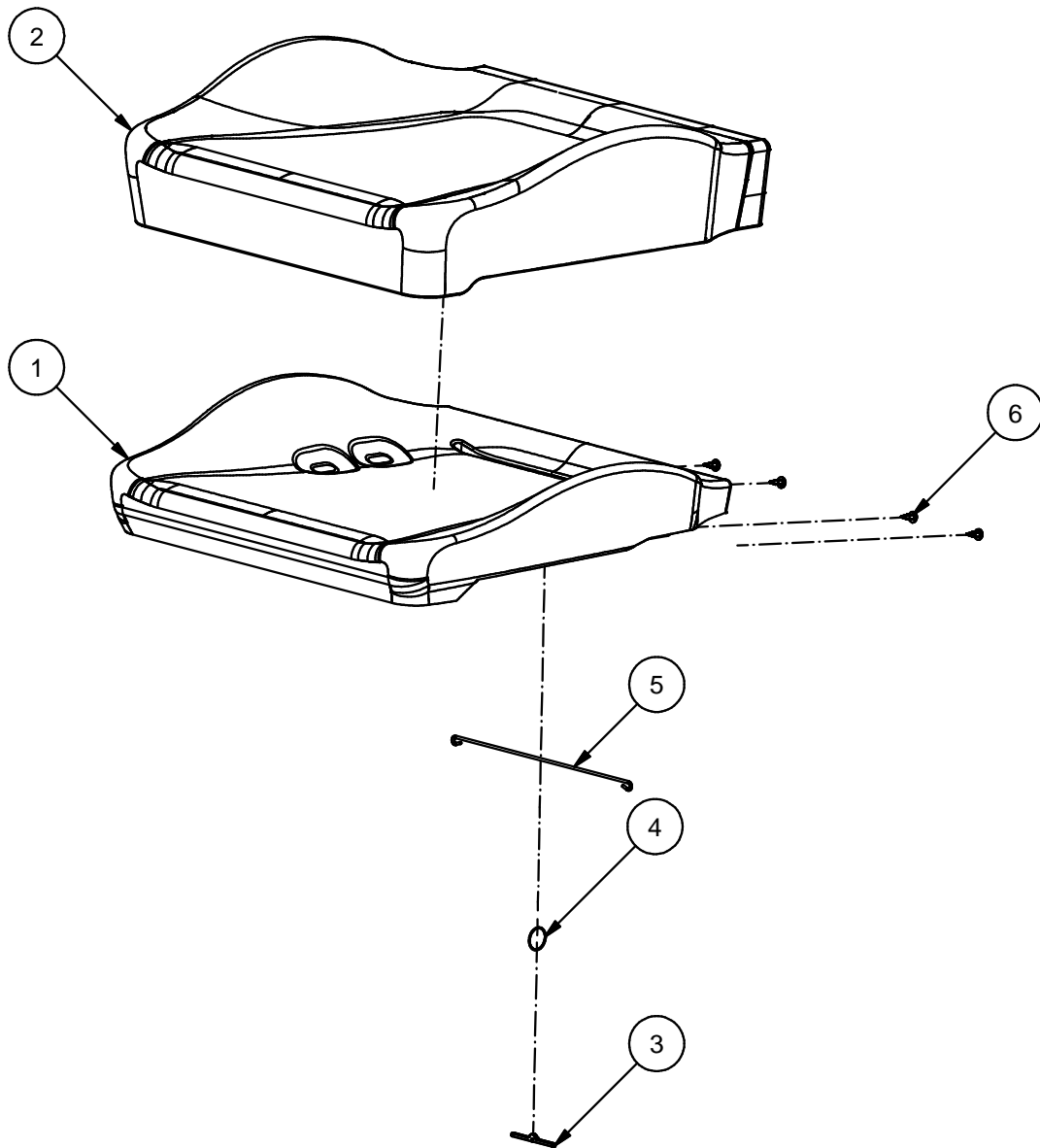


Fig.	Part. No.	Quantity	Description
1	500190	1	FOAM CUSHION
2	640315	1	TRIM CUSHION
3	621404	1	BARETT PIN
4	660057	1	LOOPS 30 MM
5	620114	1	BRACKET L=260
6	500214	4	PLASTIC RIVET



Parts Replacements List

620909

**TRIM KIT SEAT CUSHION CT PLUSH BLUE 84
9000**

Valid from 930208 to

Doc. R1-620909

Date 120511

Rev. 0

Rev.Date

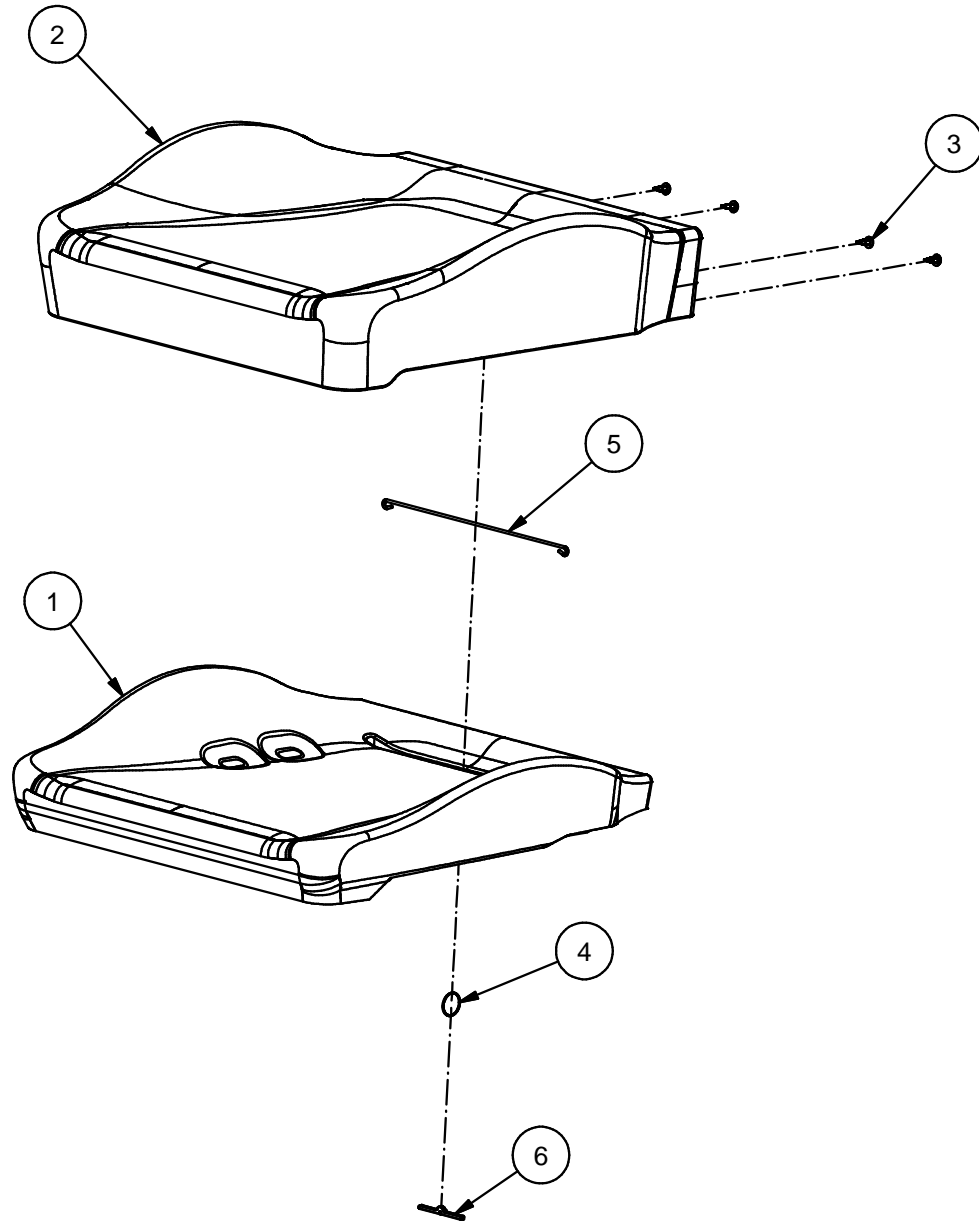


Fig.	Part. No.	Quantity	Description		
1	500189	1	FOAM CUSHION		
2	640315	1	TRIM CUSHION		PLUSH BLUE 84
3	500214	4	PLASTIC RIVET		
4	660057	1	LOOPS 30 MM		
5	620114	1	BRACKET L=260		
6	621404	1	BARETT PIN		



Parts Replacements List

620923

**TRIM KIT SEAT CUSHION PLUSH RED 82
9000**

Valid from 930208 to

Doc. R1-620923

Date 120612

Rev. 0

Rev.Date

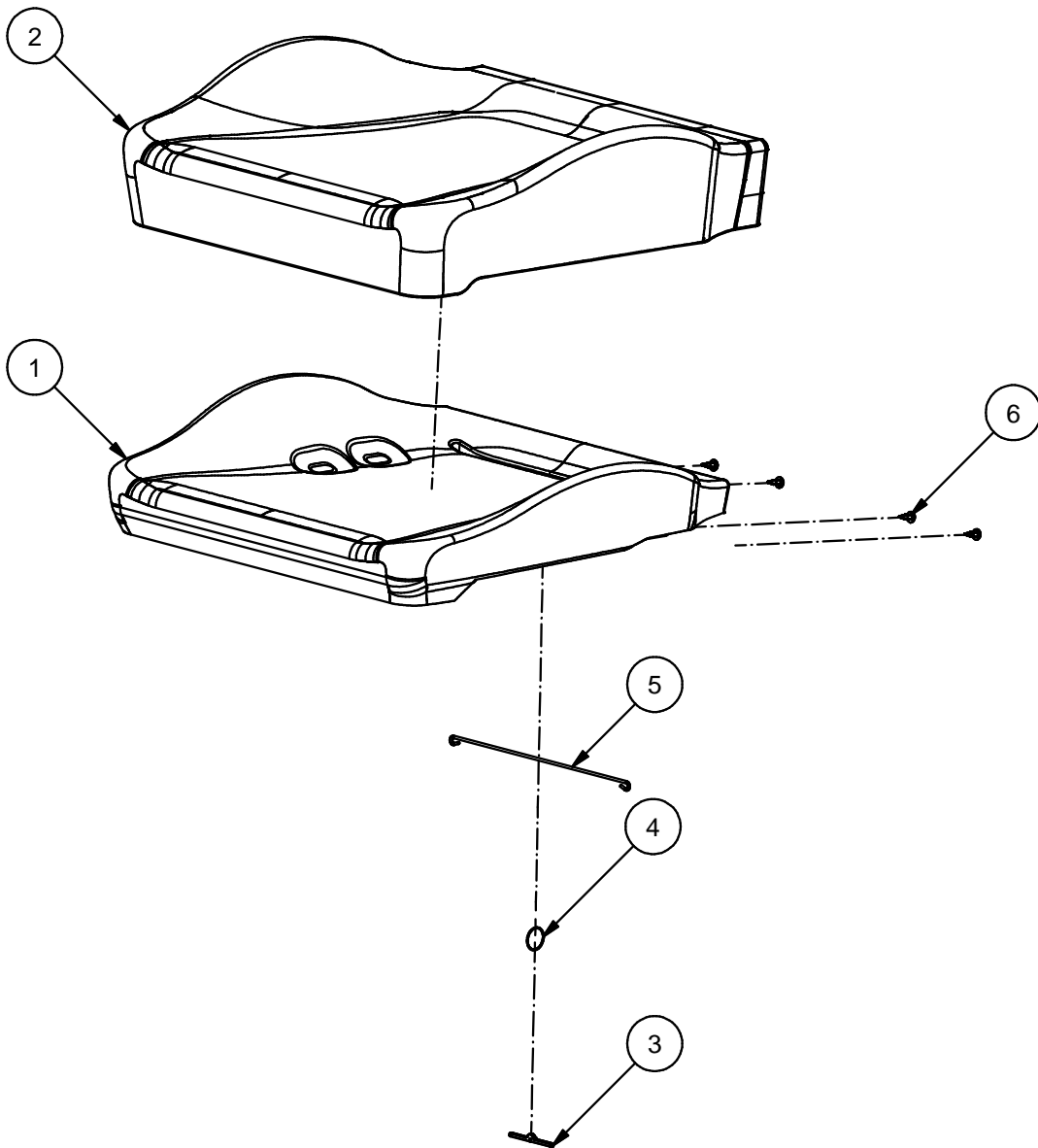


Fig.	Part. No.	Quantity	Description
1	500190	1	FOAM CUSHION
2	640275	1	TRIM CUSHION
3	621404	1	BARETT PIN
4	660057	1	LOOPS 30 MM
5	620114	1	BRACKET L=260
6	500214	4	PLASTIC RIVET



Parts Replacements List

620929

**TRIM KIT SEAT CUSHION CT PLUSH RED 82
9000**

Valid from 930208 to

Doc. R1-620929

Date 120611

Rev. 0

Rev.Date

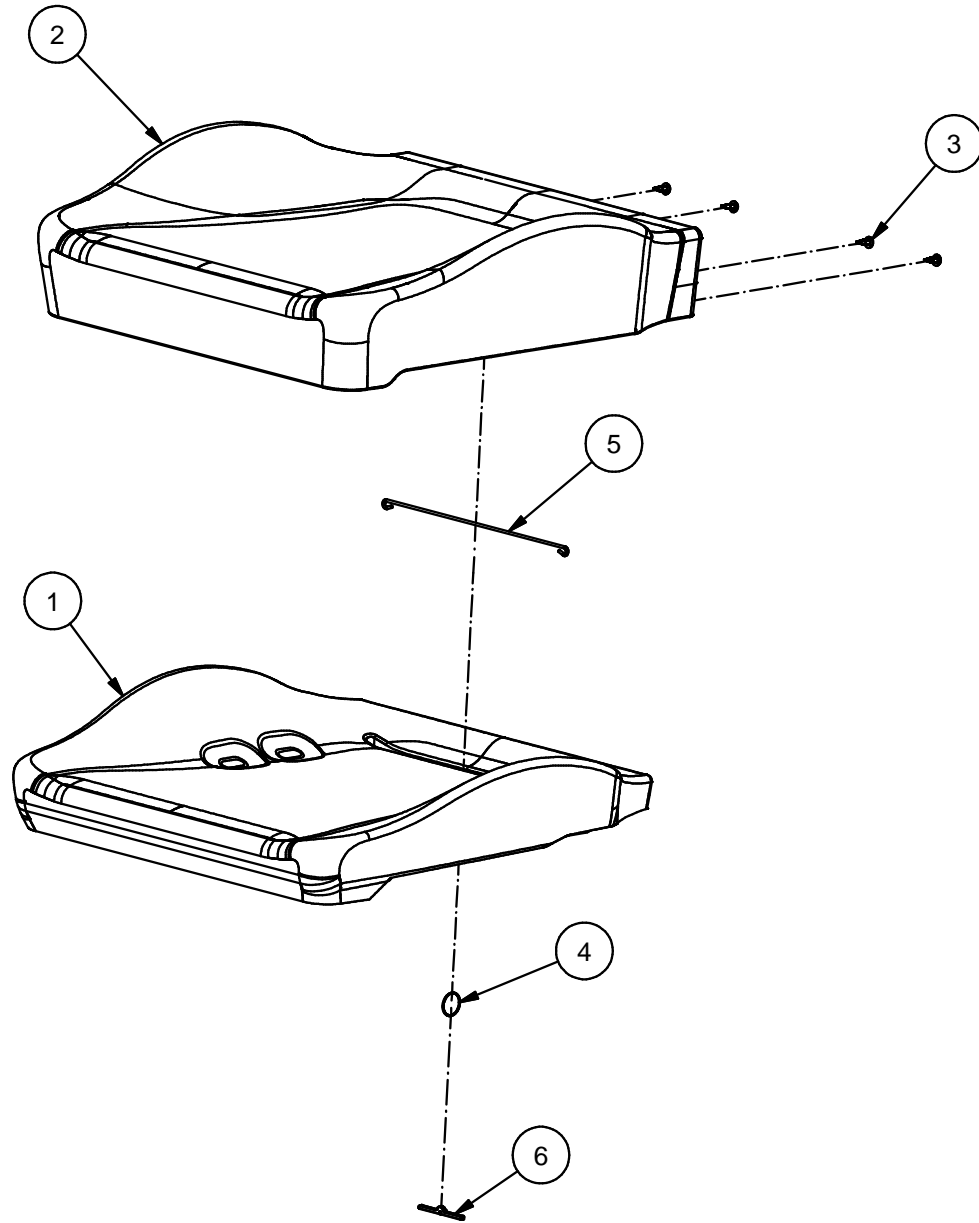


Fig.	Part. No.	Quantity	Description		
1	500189	1	FOAM CUSHION		
2	640275	1	TRIM CUSHION		PLUSH RED 82
3	500214	4	PLASTIC RIVET		
4	660057	1	LOOPS 30 MM		
5	620114	1	BRACKET L=260		
6	621404	1	BARETT PIN		



Parts Replacements List

620943

**TRIM KIT SEAT CUSHION PLUSH GREY 89
9000**

Valid from 930208 to

Doc. R1-620943

Date 120511

Rev. 0

Rev.Date

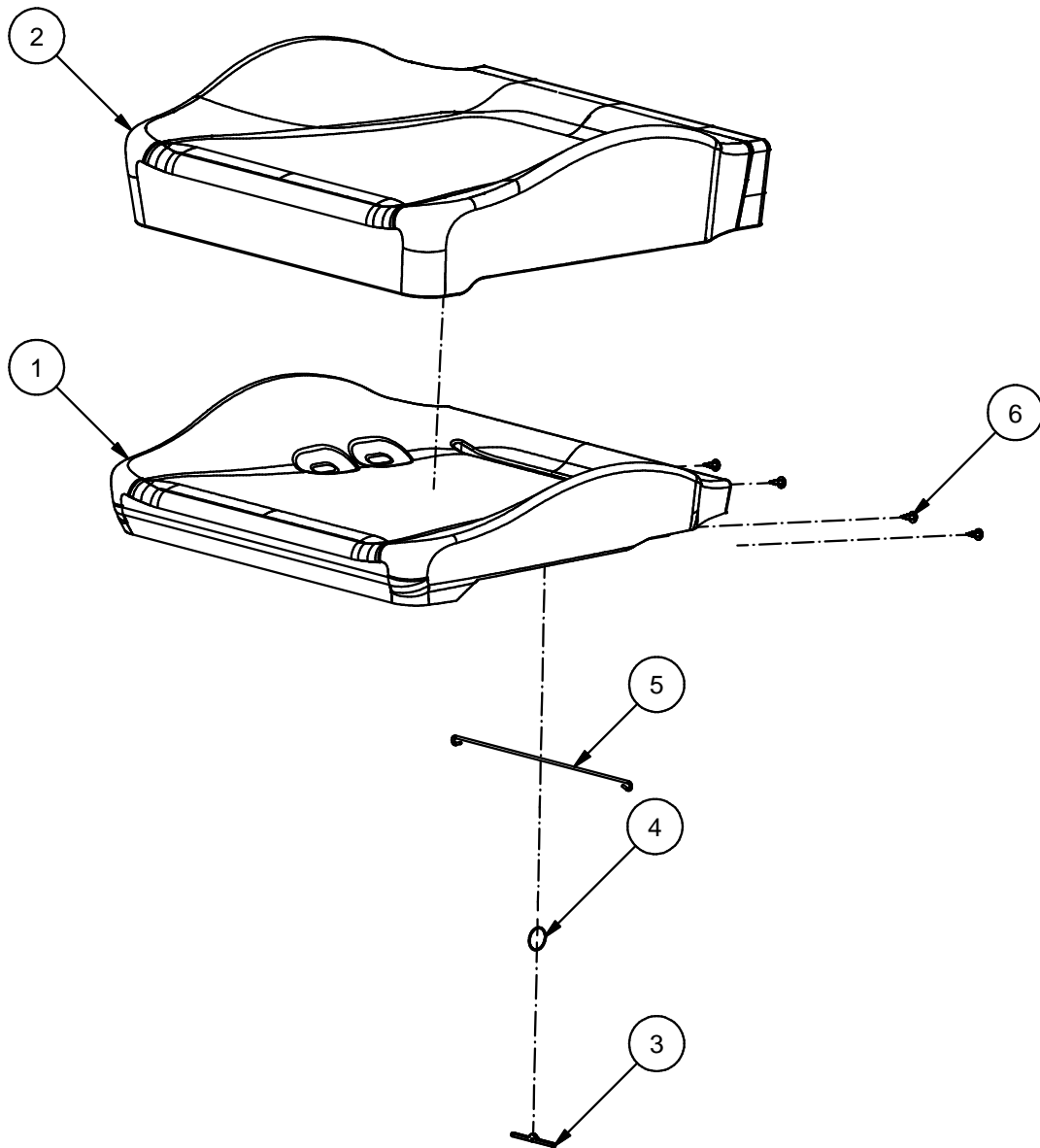


Fig.	Part. No.	Quantity	Description
1	500190	1	FOAM CUSHION
2	640335	1	TRIM CUSHION
3	621404	1	BARETT PIN
4	660057	1	LOOPS 30 MM
5	620114	1	BRACKET L=260
6	500214	4	PLASTIC RIVET



Parts Replacements List

620949

**TRIM KIT SEAT CUSHION CT PLUSH GREY 89
9000**

Valid from 930208 to

Doc. R1-620949

Date 120511

Rev. 0

Rev.Date

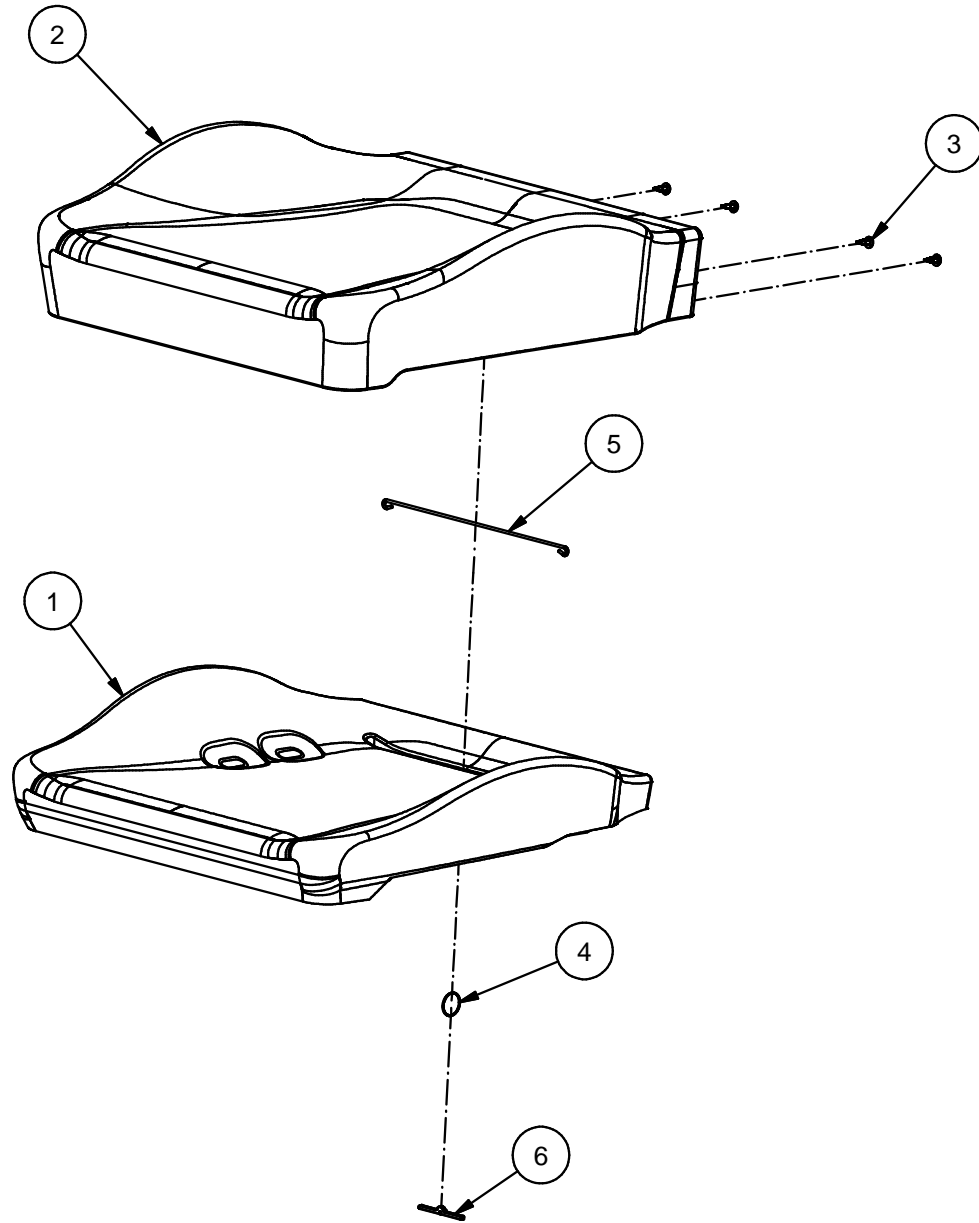


Fig.	Part. No.	Quantity	Description		
1	500189	1	FOAM CUSHION		
2	640335	1	TRIM CUSHION		PLUSH GREY 89
3	500214	4	PLASTIC RIVET		
4	660057	1	LOOPS 30 MM		
5	620114	1	BRACKET L=260		
6	621404	1	BARETT PIN		



Parts Replacements List

620963

**TRIM KIT SEAT CUSHION PLUSH BLACK 83
9000**

Valid from 930208 to

Doc. R1-620963

Date 120511

Rev. 0

Rev.Date

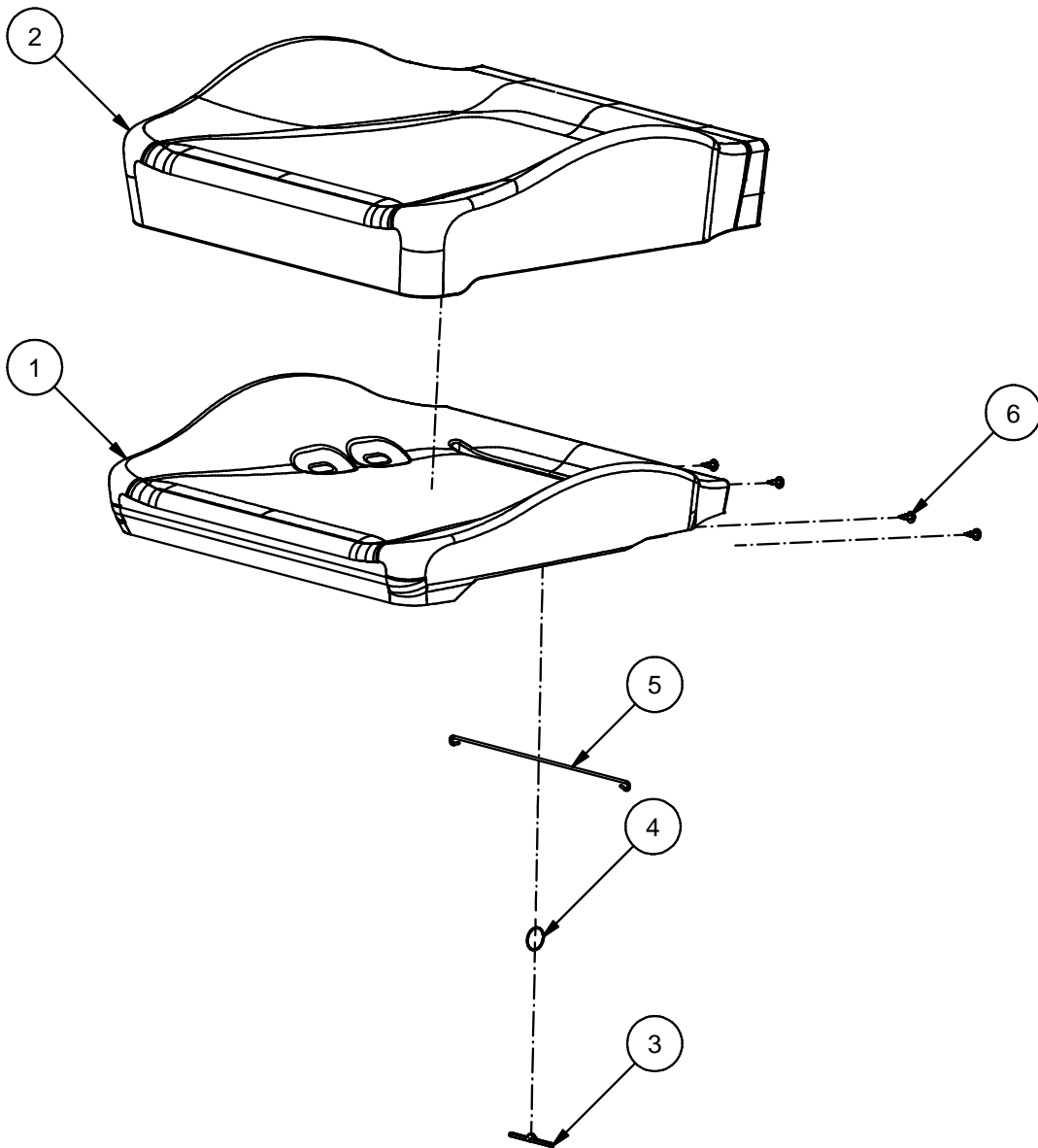


Fig.	Part. No.	Quantity	Description
1	500190	1	FOAM CUSHION
2	640295	1	TRIM CUSHION
3	621404	1	BARETT PIN
4	660057	1	LOOPS 30 MM
5	620114	1	BRACKET L=260
6	500214	4	PLASTIC RIVET



Parts Replacements List

620969
TRIM KIT SEAT CUSHION CT PLUSH BLACK 83
9000

Valid from 920504 to

Doc. R1-620969

Date 120511

Rev. 0

Rev.Date

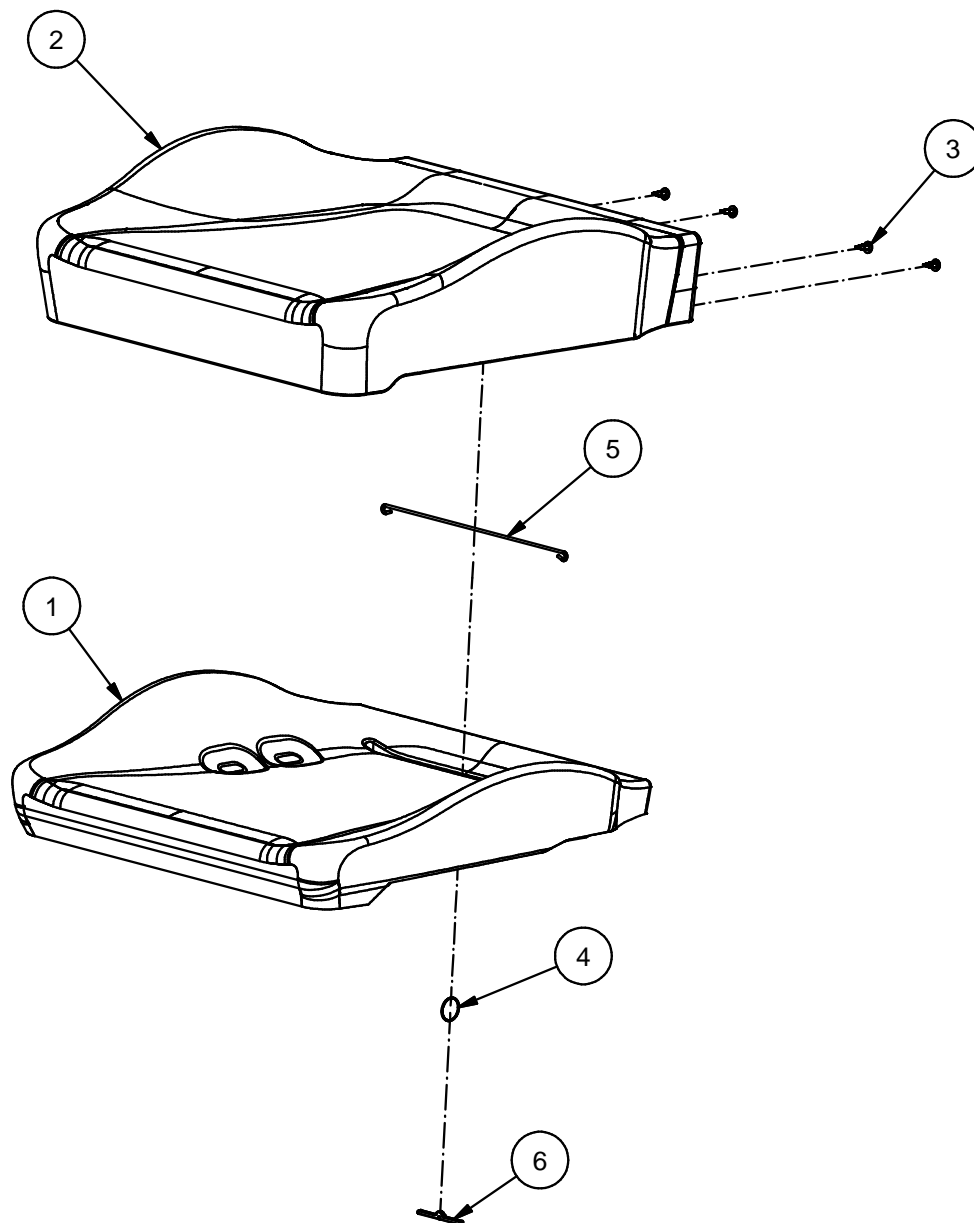


Fig.	Part. No.	Quantity	Description
1	500189	1	FOAM CUSHION
2	640295	1	TRIM CUSHION
3	500214	4	PLASTIC RIVET
4	660057	1	LOOPS 30 MM
5	620114	1	BRACKET L=260
6	621404	1	BARETT PIN



Parts Replacements List

628591

TRIM KIT BACKREST 640 NIGHTFALL

9000

Valid from 040501 to

Doc. R1-628591

Date 081124

Rev.

Rev.Date

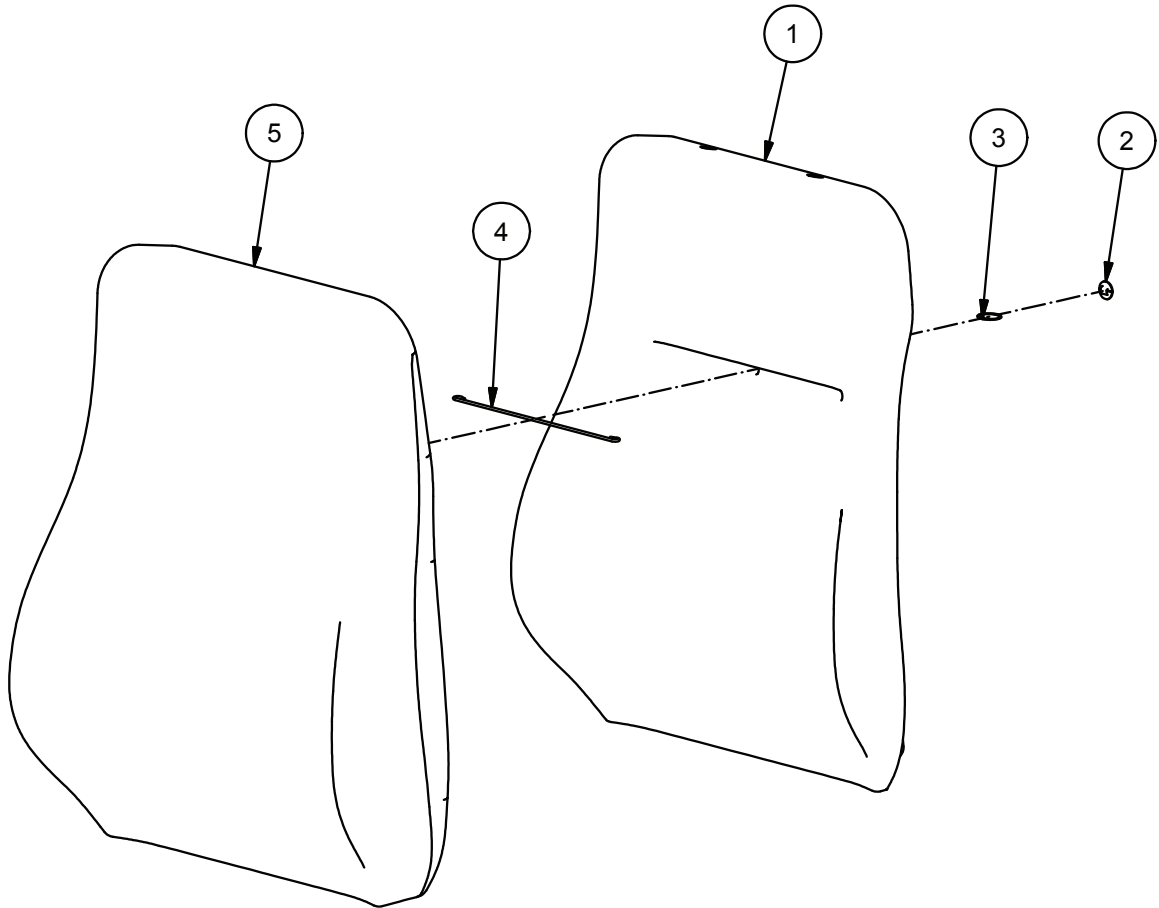


Fig.	Part. No.	Quantity	Description
1	620082	1	FOAM BACKREST 640
2	660054	1	BUTTOM SPK
3	660057	1	LOOPS 30 MM
4	620140	1	BRACKET L=230
5	641323	1	TRIM BACKREST 640

NIGHTFALL



Parts Replacements List

628604

NIGHTFALL TRIM KIT BACKREST 640 3PB EPN 9000

Valid from 061206 to

Doc. R1-628604

Date 110124

Rev. 1

Rev.Date 110303

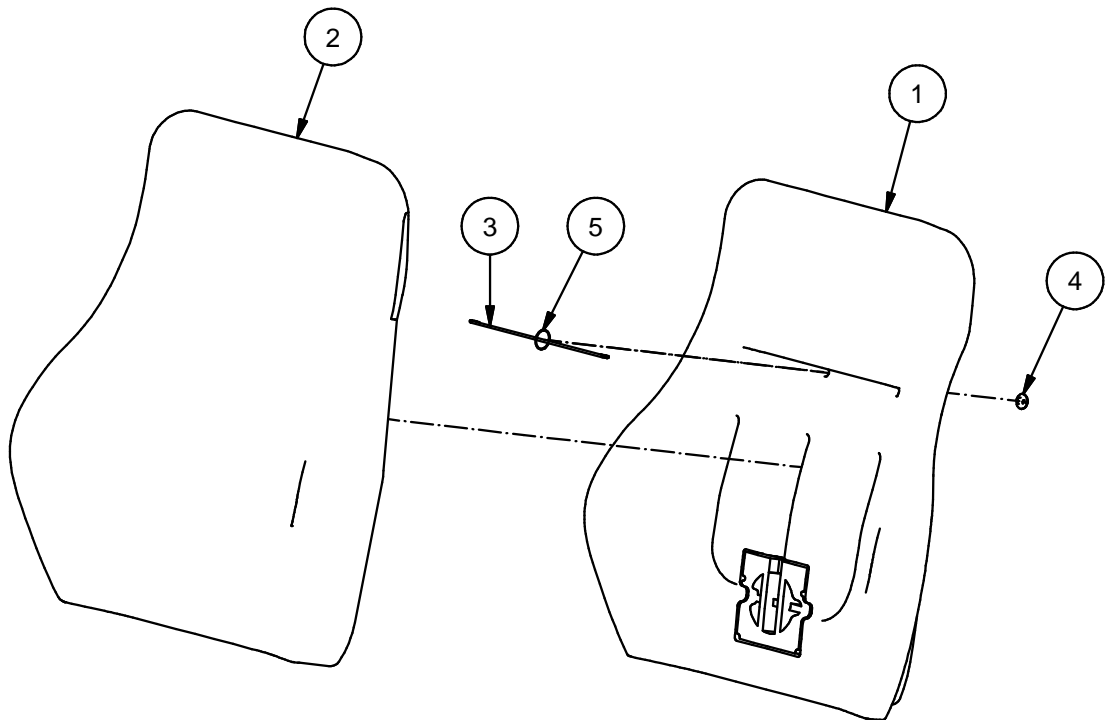


Fig.	Part. No.	Quantity	Description
1	621589	1	FOAM BACKREST 640 EPN
2	641326	1	TRIM BACKREST 640 EPN 9000
3	620140	1	BRACKET L=230
4	660054	1	BUTTOM SPK
5	660057	1	LOOPS 30 MM



Parts Replacements List

628594

**TRIM KIT BACKREST 640 3PB AIR 12V
NIGHTFALL**

Valid from 040501 to

Doc. R1-628594

Date 120530

Rev. 0

Rev.Date

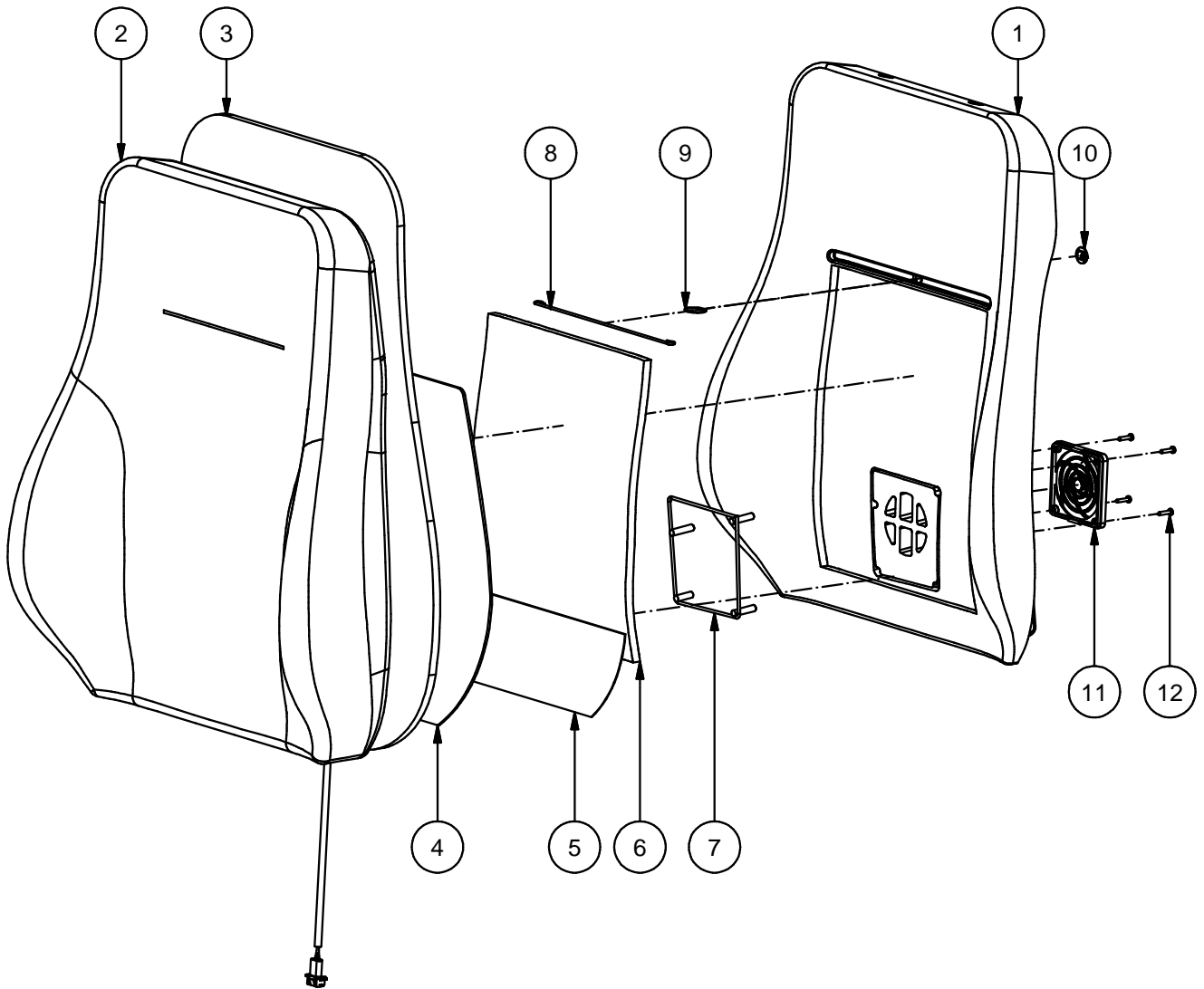


Fig.	Part. No.	Quantity	Description		
1	620456	1	FOAM BACKREST 640 3PB AIRV		
2	641327	1	TRIM BACKREST 640 AIR		NIGHTFALL
3	640017	1	POLYESTER WAD 10 MM BACK REST		
4	500350	1	HEATING ELEMENT 12V		SQUAB
5	640015	1	TRIM AIR VENT BACKREST		
6	628237	1	RUBBER HAIR MATT		
7	620447	1	FIXTURE WIRE CPL.		
8	620140	1	BRACKET L=230		
9	660057	1	LOOPS 30 MM		
10	660054	1	BUTTOM SPK		
11	621140	1	FAN NET WITH HOLES		OEM ELECTRONICS AB ART. NO.: PF80
12	650018	4	SCREW RXS	ST3.5x19	DIN7981C-Z ZN-BL



Parts Replacements List

628596

**TRIM KIT BACKREST 640 3PB AIR 24V
NIGHTFALL**

Valid from 040501 to

Doc. R1-628596

Date 120511

Rev. 0

Rev.Date

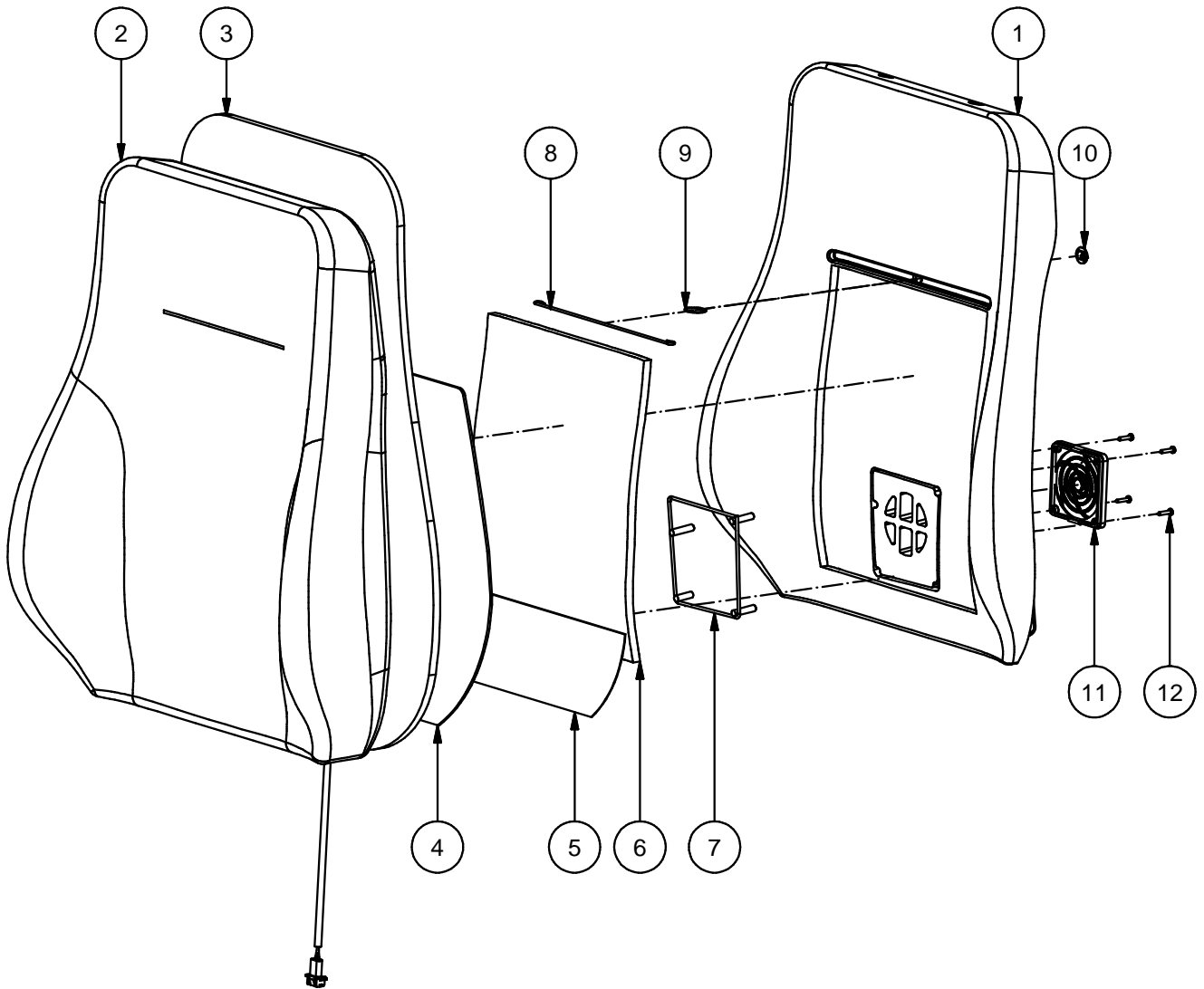


Fig.	Part. No.	Quantity	Description		
1	620456	1	FOAM BACKREST 640 3PB AIRV		
2	641327	1	TRIM BACKREST 640 AIR		NIGHTFALL
3	640017	1	POLYESTER WAD 10 MM BACK REST		
4	500358	1	HEATING ELEMENT 24V		SQUAB
5	640015	1	TRIM AIRVENT BACKREST		
6	628237	1	RUBBER HAIR MATT		
7	620447	1	FIXTURE WIRE CPL.		
8	620140	1	BRACKET L=230		
9	660057	1	LOOPS 30 MM		
10	660054	1	BUTTOM SPK		
11	621140	1	FAN NET WITH HOLES		OEM ELECTRONICS AB ART. NO.: PF80
12	650018	4	SCREW RXS	ST3.5x19	DIN7981C-Z ZN-BL



Parts Replacements List

621025

**TRIM KIT BACKREST 640 ART. LEATHER GREY
9000**

Valid from 931210 to

Doc. R1-621025

Date 120508

Rev. 0

Rev.Date

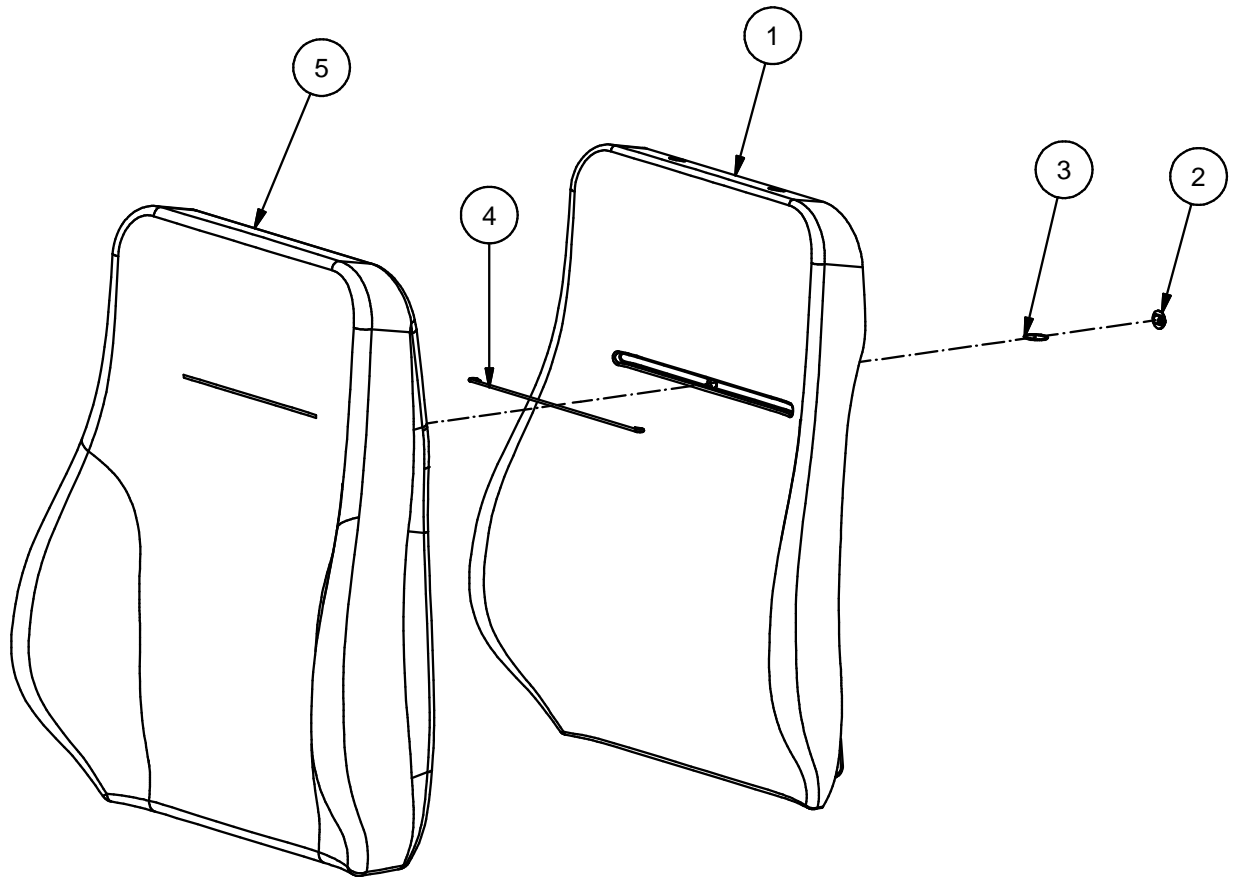


Fig.	Part. No.	Quantity	Description
1	620082	1	FOAM BACKREST 640
2	660054	1	BUTTOM SPK
3	660057	1	LOOPS 30 MM
4	620114	1	BRACKET L=260
5	500951	1	TRIM BACKREST 640
			ART. LEATHER GREY



Parts Replacements List

621026
TRIM KIT BACKREST 640 LEATHER GREY
9000

Valid from 931210 to

Doc. R1-621026

Date 120611

Rev. 0

Rev.Date

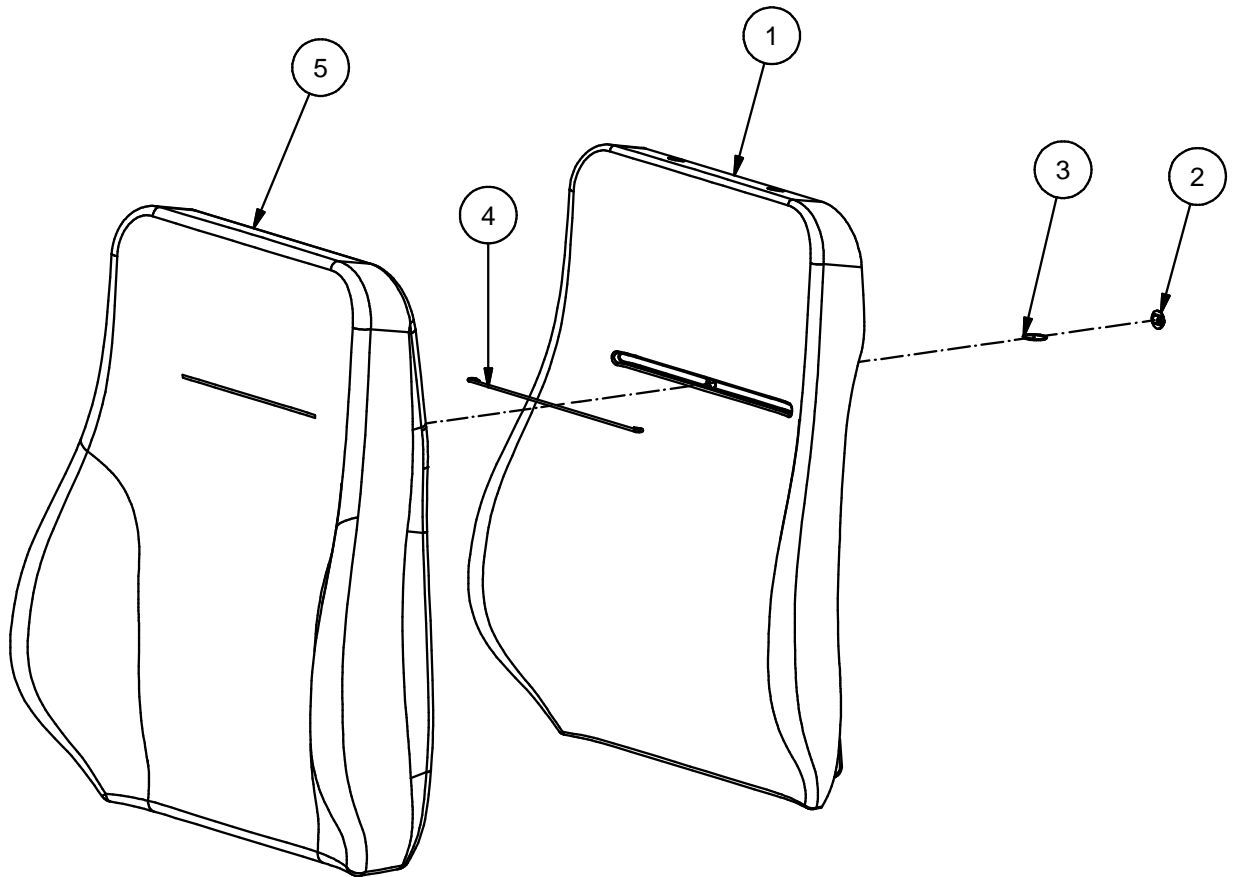


Fig.	Part. No.	Quantity	Description
1	620082	1	FOAM BACKREST 640
2	660054	1	BUTTOM SPK
3	660057	1	LOOPS 30 MM
4	620114	1	BRACKET L=260
5	500596	1	TRIM BACKREST 640
			LEATHER GREY BALTIQUE



Parts Replacements List

621135

**TRIM KIT BACKREST 640 3PB AIR 12V
CAMBORNE**

Valid from 960308 to

Doc. R1-621135

Date 120613

Rev. 0

Rev.Date

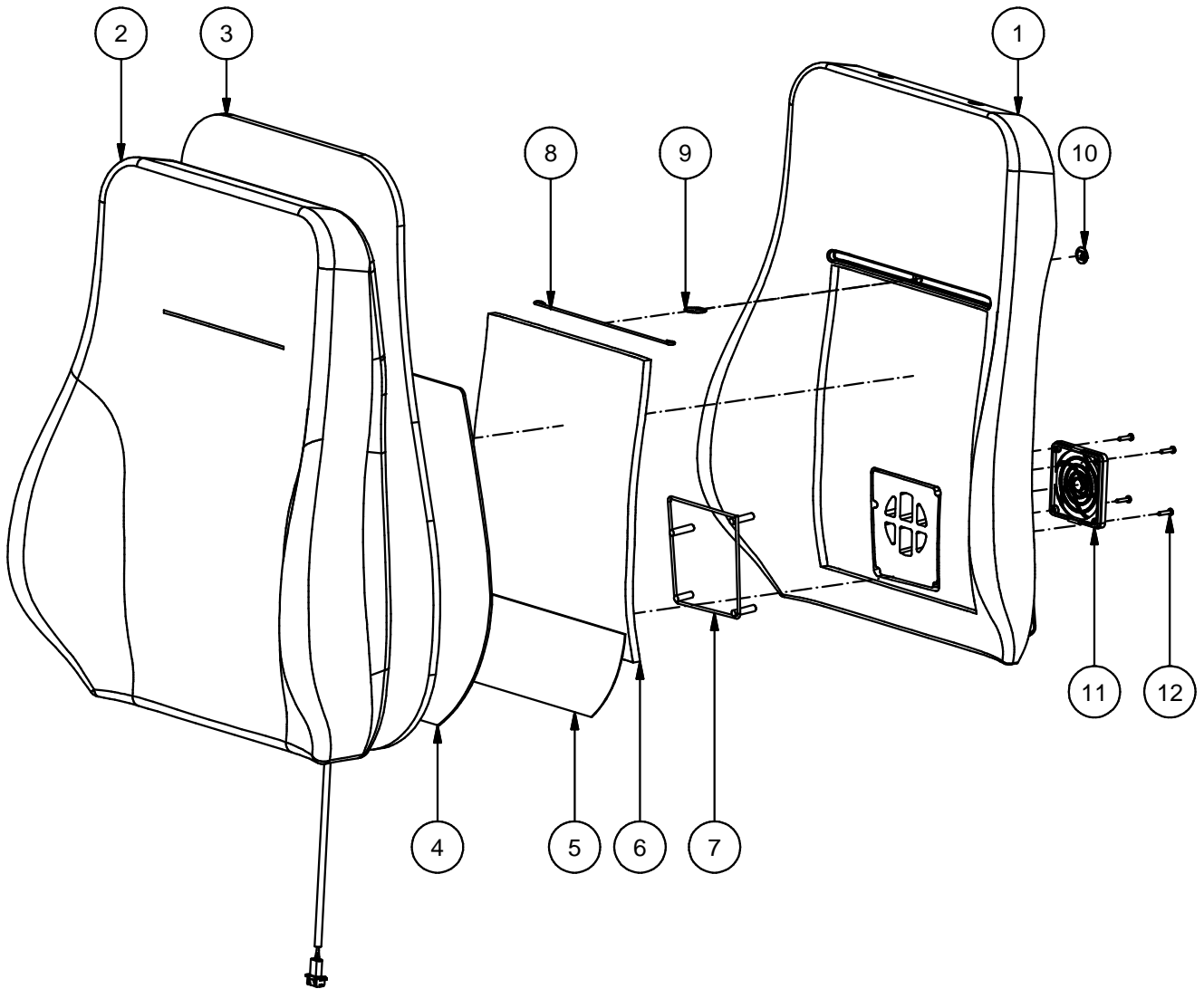


Fig.	Part. No.	Quantity	Description		
1	620456	1	FOAM BACKREST 640 3PB AIRV		
2	640466	1	TRIM BACKREST 640 AIR		CAMBORNE
3	640017	1	POLYESTER WAD 10 MM BACK REST		
4	500350	1	HEATING ELEMENT 12V		SQUAB
5	640015	1	TRIM AIR VENT BACKREST		
6	628237	1	RUBBER HAIR MATT		
7	620447	1	FIXTURE WIRE CPL.		
8	620140	1	BRACKET L=230		
9	660057	1	LOOPS 30 MM		
10	660054	1	BUTTOM SPK		
11	621140	1	FAN NET WITH HOLES		OEM ELECTRONICS AB ART. NO.: PF80
12	650018	4	SCREW RXS	ST3.5x19	DIN7981C-Z ZN-BL



Parts Replacements List

628108

**TRIM KIT BACKREST 640 3PB AIR 24V
CAMBORNE**

Valid from 030108 to

Doc. R1-628108

Date 120613

Rev. 0

Rev.Date

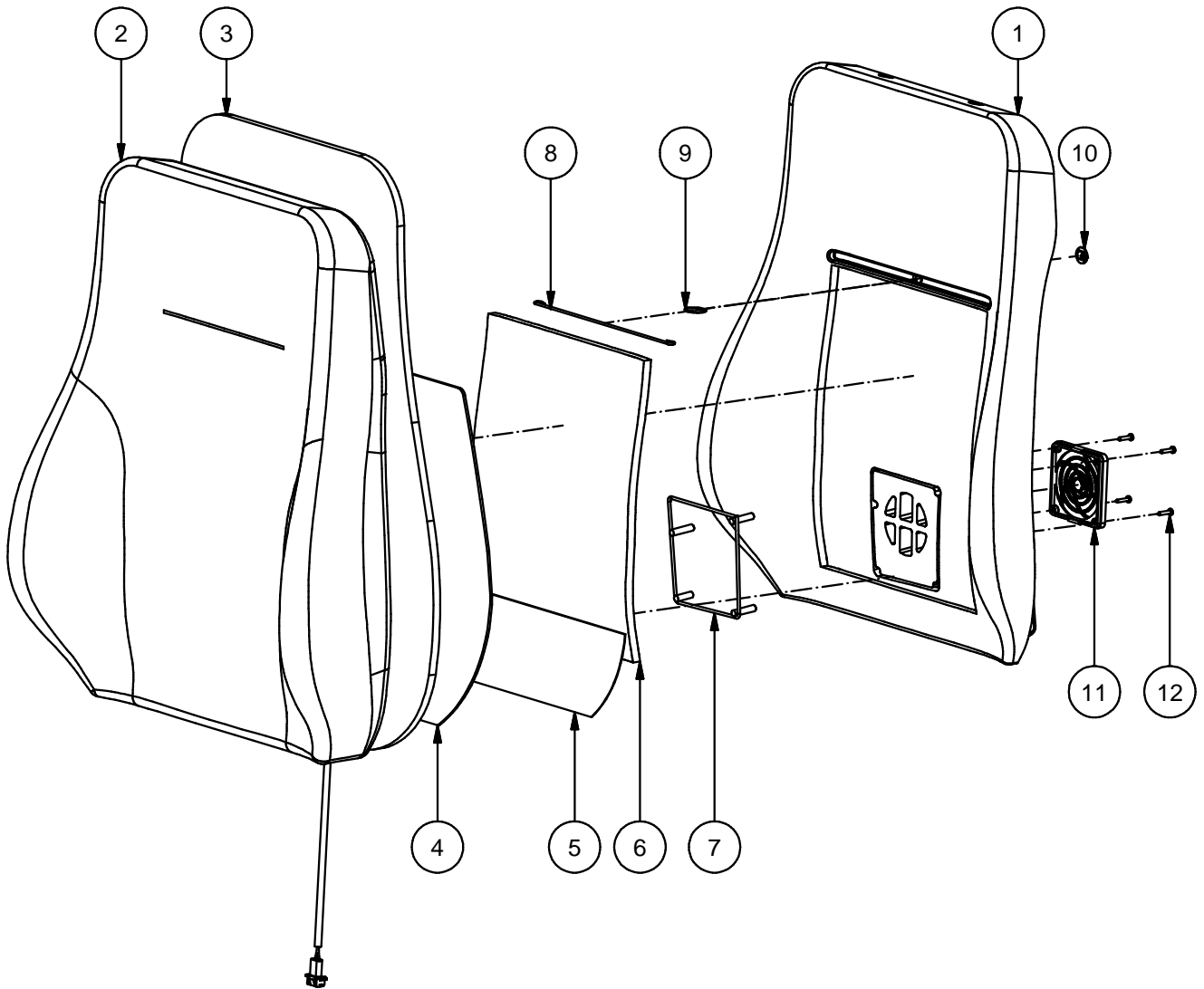


Fig.	Part. No.	Quantity	Description		
1	620456	1	FOAM BACKREST 640 3PB AIRV		
2	640466	1	TRIM BACKREST 640 AIR		CAMBORNE
3	640017	1	POLYESTER WAD 10 MM BACK REST		
4	500358	1	HEATING ELEMENT 24V		SQUAB
5	640015	1	TRIM AIR VENT BACKREST		
6	628237	1	RUBBER HAIR MATT		
7	620447	1	FIXTURE WIRE CPL.		
8	620140	1	BRACKET L=230		
9	660057	1	LOOPS 30 MM		
10	660054	1	BUTTOM SPK		
11	621140	1	FAN NET WITH HOLES		OEM ELECTRONICS AB ART. NO.: PF80
12	650018	4	SCREW RXS	ST3.5x19	DIN7981C-Z ZN-BL



Parts Replacements List

621031
TRIM KIT BACKREST 640 PLUSH BLUE 84
9000

Valid from 931210 to

Doc. R1-621031

Date 120508

Rev. 0

Rev.Date

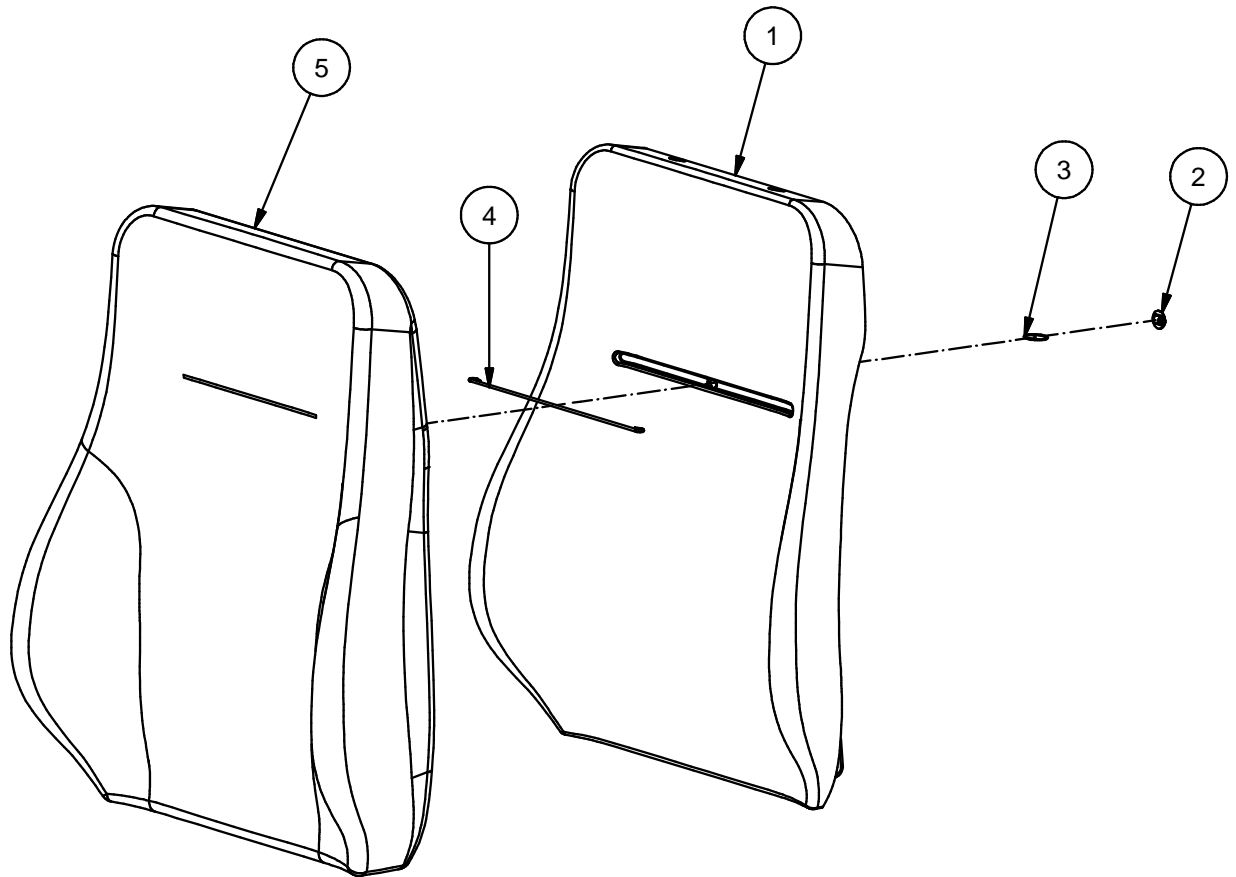


Fig.	Part. No.	Quantity	Description
1	620082	1	FOAM BACKREST 640
2	660054	1	BUTTOM SPK
3	660057	1	LOOPS 30 MM
4	620114	1	BRACKET L=260
5	640312	1	TRIM BACKREST 640
			PLUSH BLUE 84



Parts Replacements List

621032
TRIM KIT BACKREST 640 PLUSH RED 82
9000

Valid from 931210 to

Doc. R1-621032

Date 120611

Rev. 0

Rev.Date

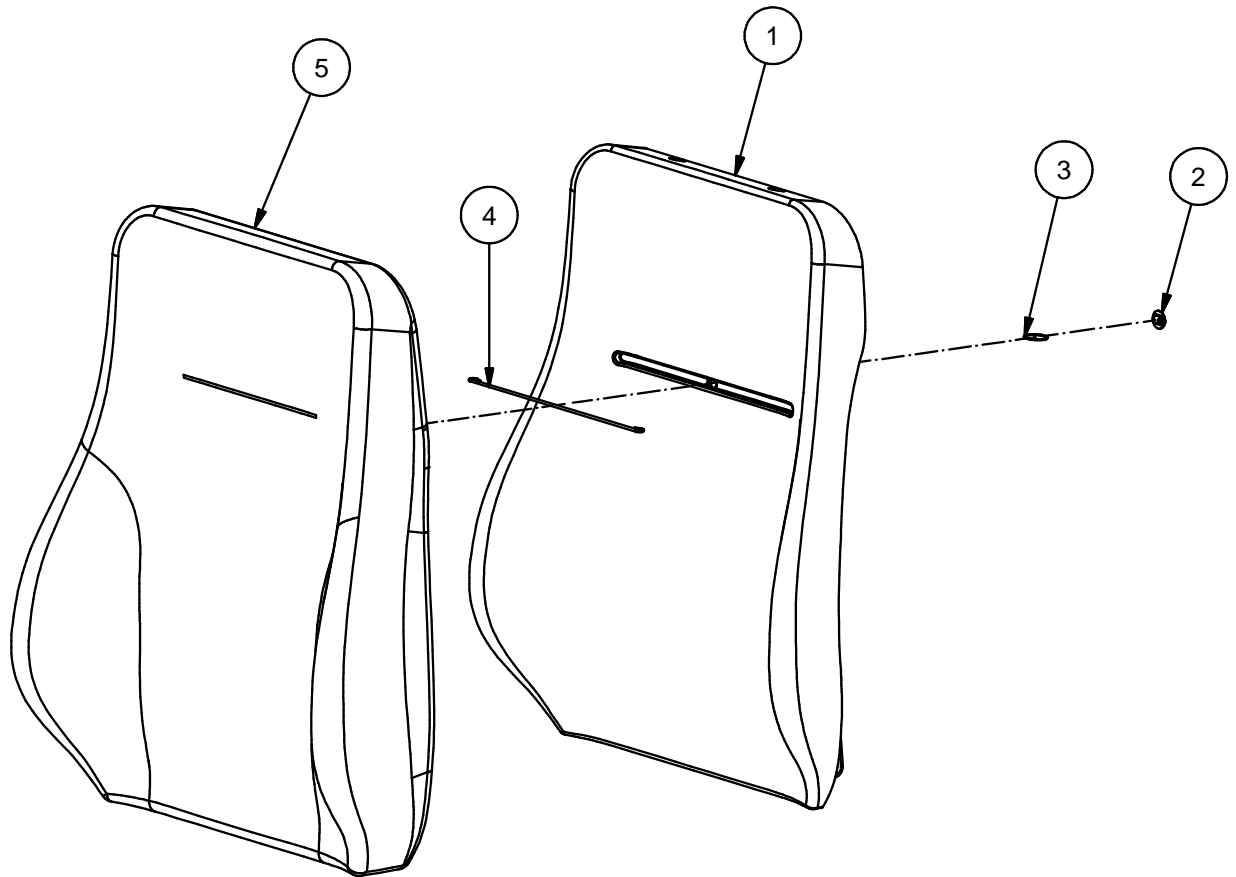


Fig.	Part. No.	Quantity	Description
1	620082	1	FOAM BACKREST 640
2	660054	1	BUTTOM SPK
3	660057	1	LOOPS 30 MM
4	620114	1	BRACKET L=260
5	640272	1	TRIM BACKREST 640
			PLUSH RED 82



Parts Replacements List

621033

**TRIM KIT BACKREST 640 PLUSH GREY 89
9000**

Valid from 931210 to

Doc. R1-621033

Date 120508

Rev. 0

Rev.Date

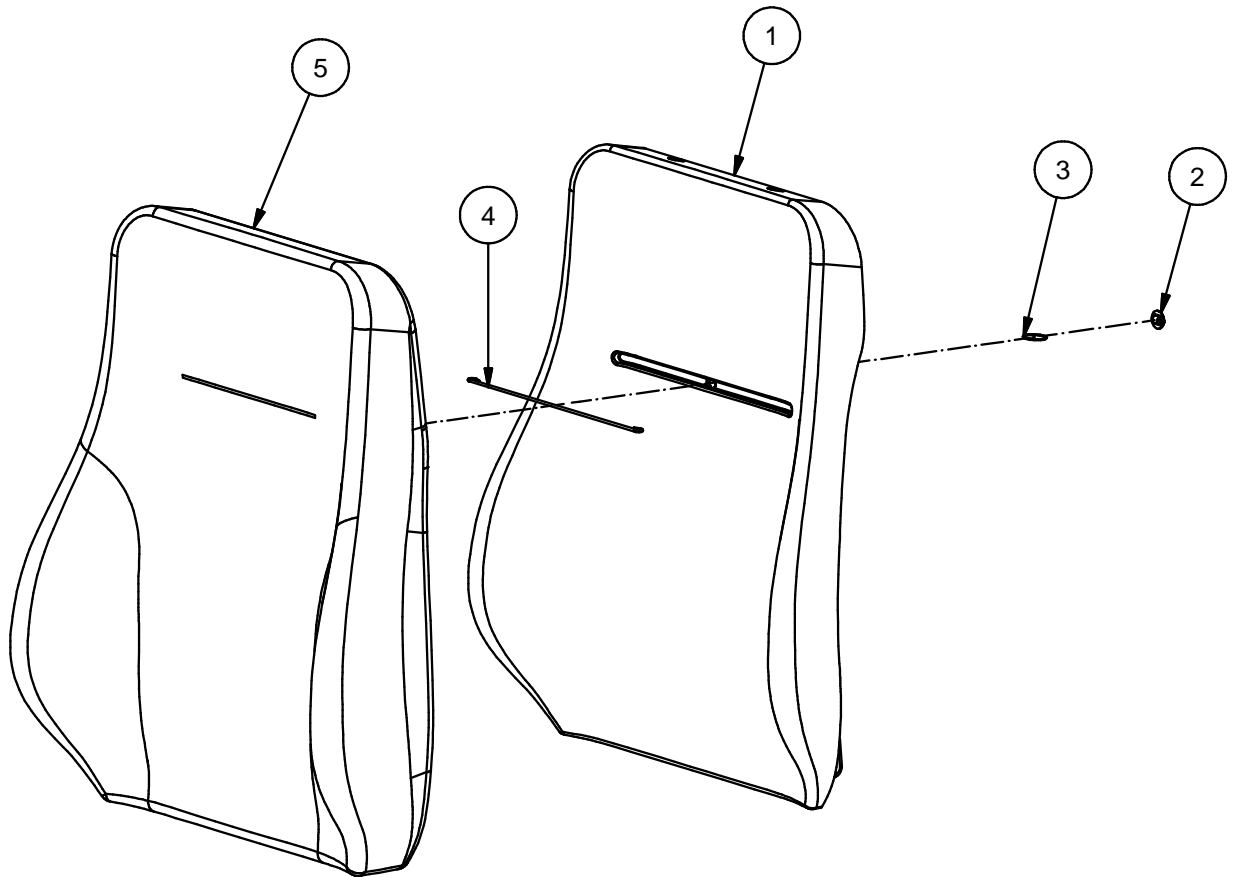


Fig.	Part. No.	Quantity	Description
1	620082	1	FOAM BACKREST 640
2	660054	1	BUTTOM SPK
3	660057	1	LOOPS 30 MM
4	620114	1	BRACKET L=260
5	640332	1	TRIM BACKREST 640
			PLUSH GREY 89



Parts Replacements List

621034

**TRIM KIT BACKREST 640 PLUSH BLACK 83
9000**

Valid from 931210 to

Doc. R1-621034

Date 120508

Rev. 0

Rev.Date

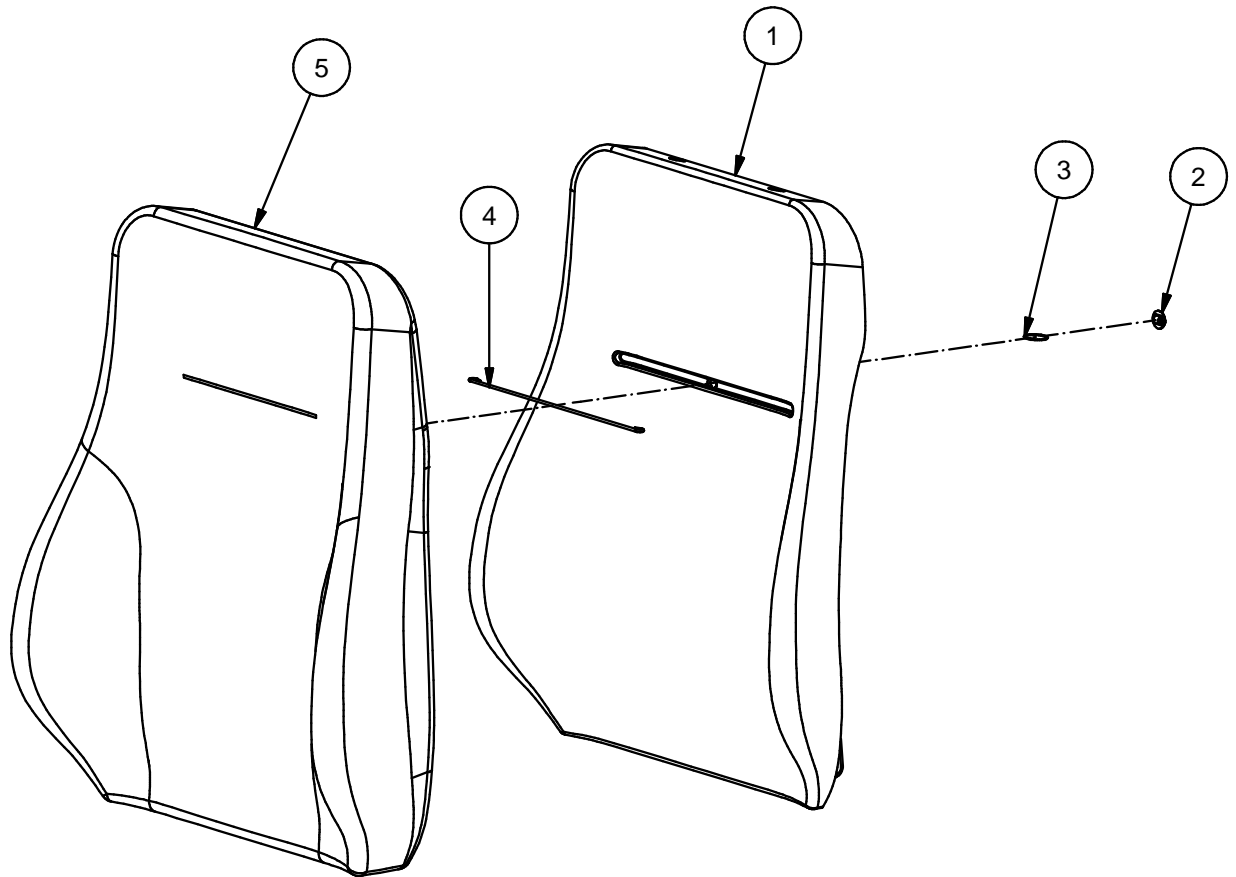


Fig.	Part. No.	Quantity	Description
1	620082	1	FOAM BACKREST 640
2	660054	1	BUTTOM SPK
3	660057	1	LOOPS 30 MM
4	620114	1	BRACKET L=260
5	640292	1	TRIM BACKREST 640
			PLUSH BLACK 83



Parts Replacements List

600602
HEAD REST NIGHTFALL
9000

Valid from 040501 to

Doc. R1-600602

Date 081124

Rev.

Rev.Date

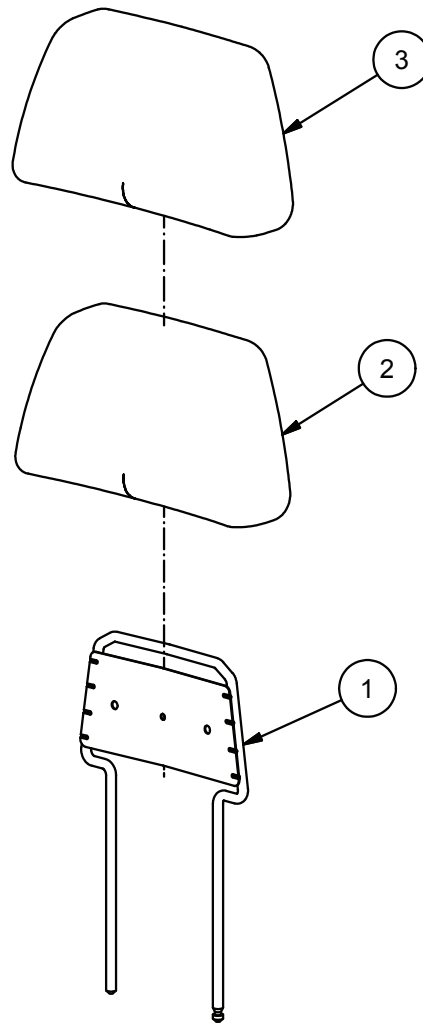


Fig.	Part. No.	Quantity	Description
1	500341	1	FRAME 9000
2	500344	1	FOAM HEAD REST
3	641322	1	TRIM HEADREST



Parts Replacements List

600505
HEADREST KIT ART. LEATEHR GREY
9000

Valid from 921126 to

Doc. R1-600505

Date 120508

Rev. 0

Rev.Date

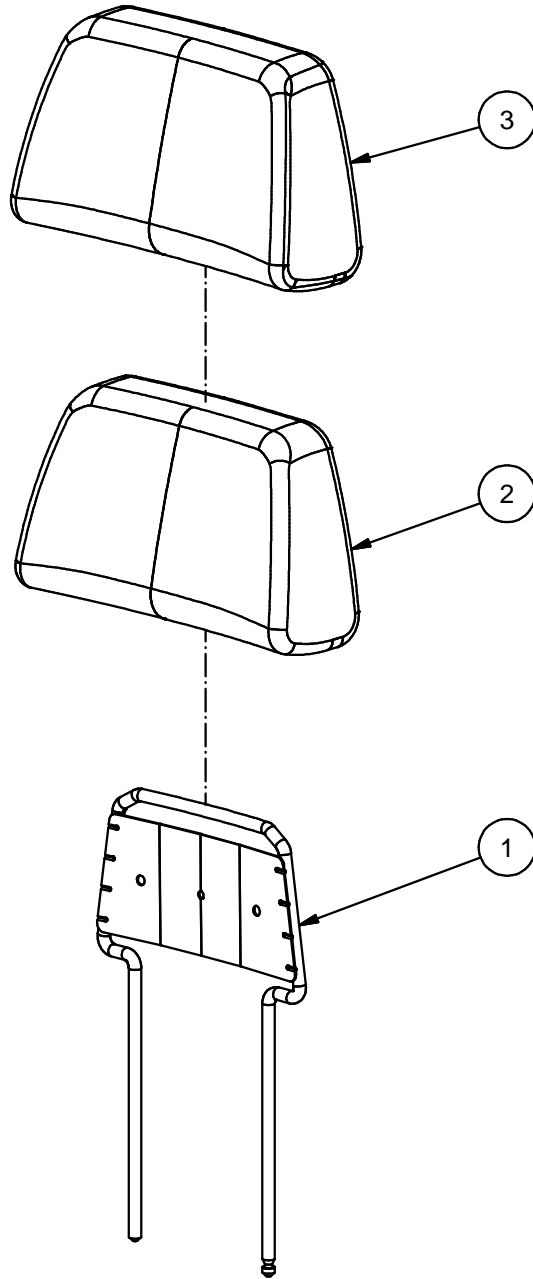


Fig.	Part. No.	Quantity	Description
1	500341	1	FRAME HEADREST
2	500344	1	FOAM HEAD REST
3	500950	1	TRIM HEADREST

ART. LEATHER GREY



Parts Replacements List

600506
HEADREST KIT LEATHER GREY
9000

Valid from 900807 to

Doc. R1-600506

Date 120611

Rev. 0

Rev.Date

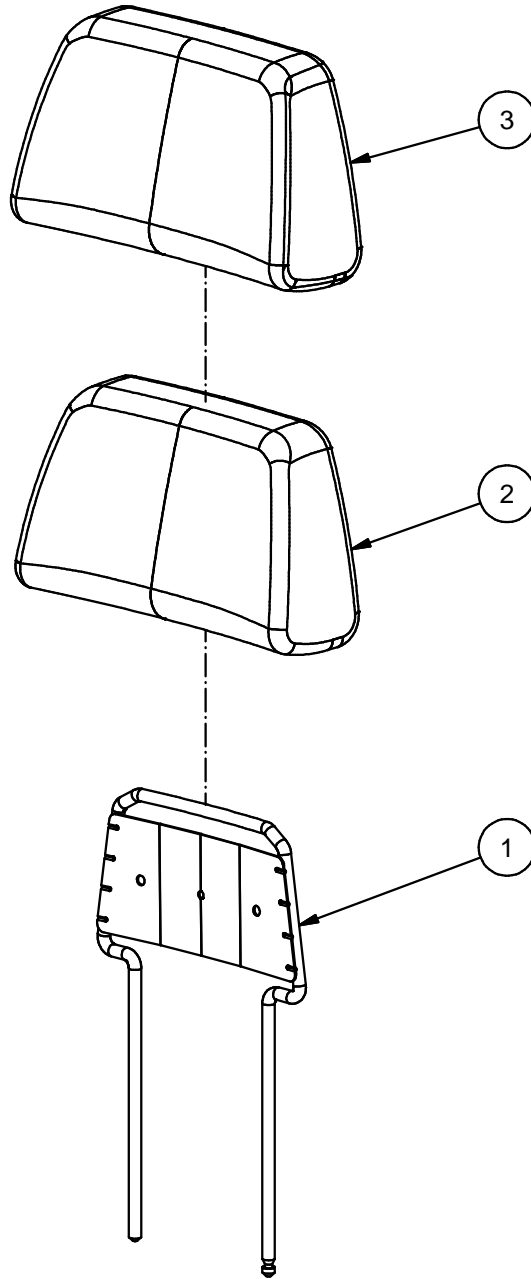


Fig.	Part. No.	Quantity	Description		
1	500341	1	FRAME HEADREST		
2	500344	1	FOAM HEAD REST		
3	500626	1	TRIM HEADREST		LEATHER GREY BALTIQUE



Parts Replacements List

600514
HEAD REST AIRVENT
9000

Valid from 960409 to

Doc. R1-600514

Date 120613

Rev. 0

Rev.Date

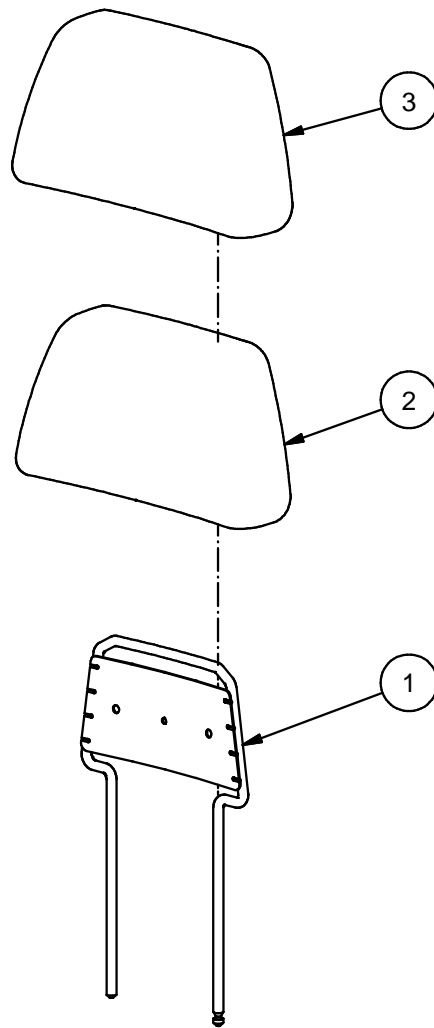


Fig.	Part. No.	Quantity	Description		
1	500341	1	FRAME HEADREST		
2	500344	1	FOAM HEAD REST		
3	640465	1	TRIM HEADREST		CAMBORNE BLACK



Parts Replacements List

600520
HEADREST KIT PLUSH BLUE 84
9000

Valid from 921126 to

Doc. R1-600520

Date 120508

Rev. 0

Rev.Date

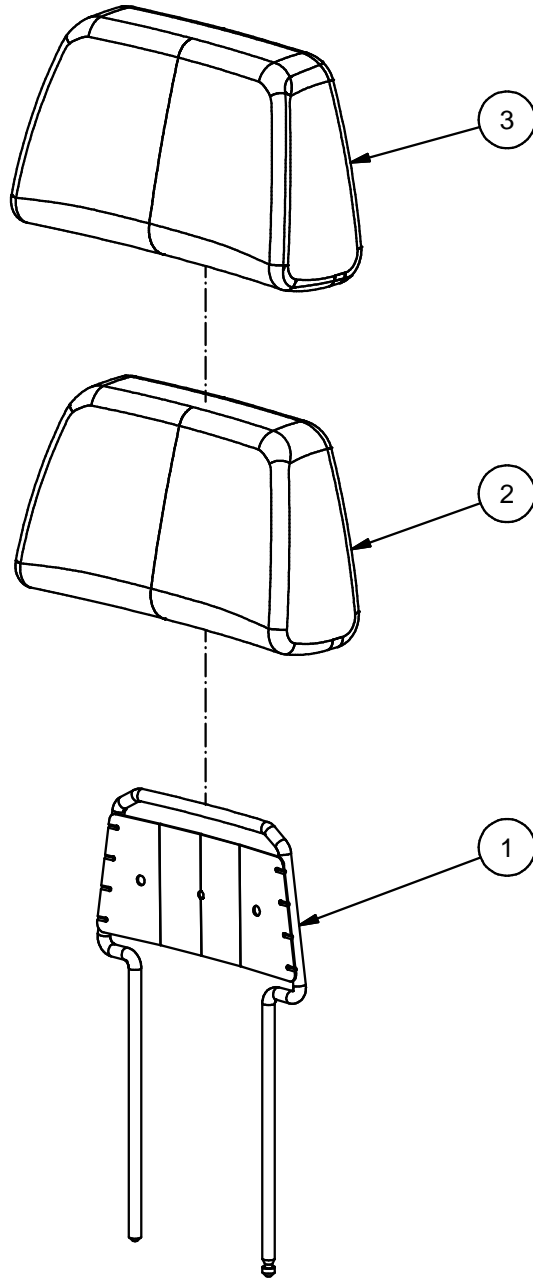


Fig.	Part. No.	Quantity	Description
1	500341	1	FRAME HEADREST
2	500344	1	FOAM HEAD REST
3	640311	1	TRIM HEADREST
			PLUSH BLUE 84



Parts Replacements List

600521
HEADREST KIT PLUSH RED 82
9000

Valid from 921126 to

Doc. R1-600521

Date 120611

Rev. 0

Rev.Date

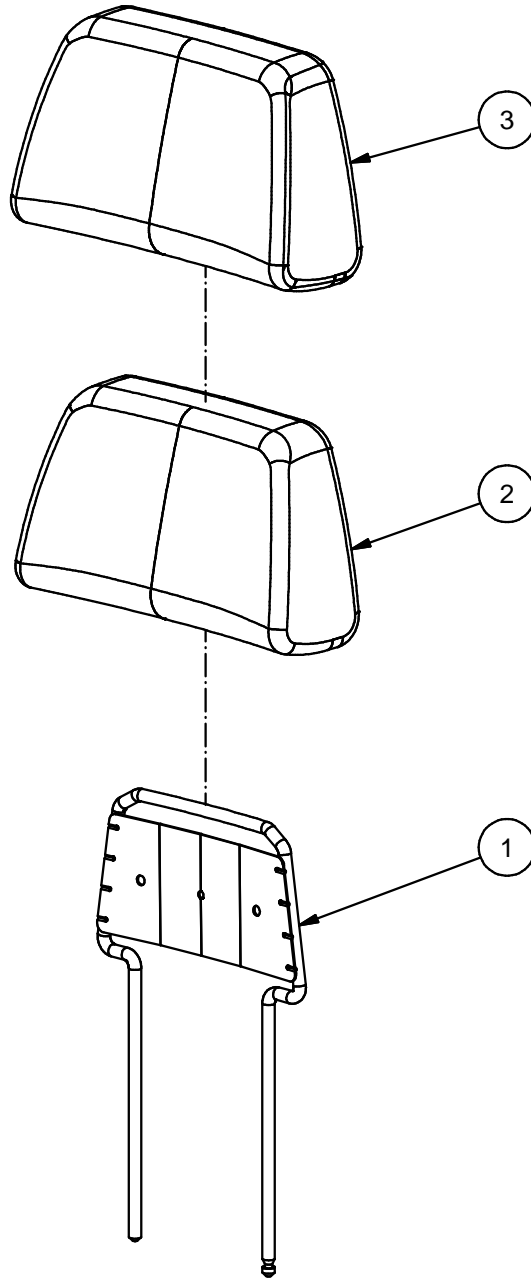


Fig.	Part. No.	Quantity	Description		
1	500341	1	FRAME HEADREST		
2	500344	1	FOAM HEAD REST		
3	640271	1	TRIM HEADREST		PLUSH RED 82



Parts Replacements List

600523
HEADREST KIT PLUSH GREY 89
9000

Valid from 921126 to

Doc. R1-600523

Date 120508

Rev. 0

Rev.Date

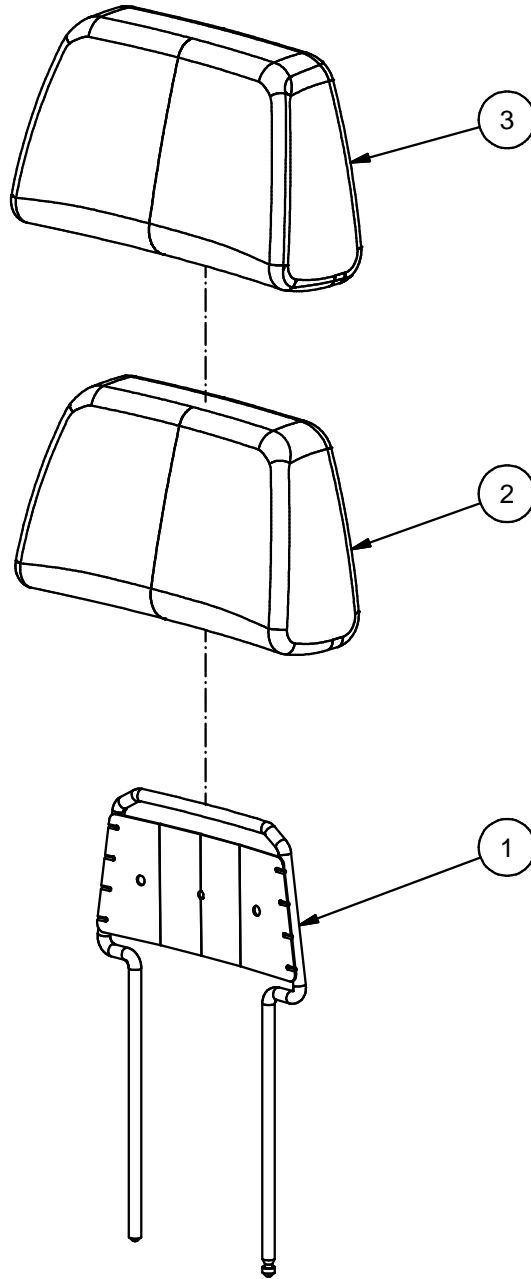


Fig.	Part. No.	Quantity	Description
1	500341	1	FRAME HEADREST
2	500344	1	FOAM HEAD REST
3	640331	1	TRIM HEADREST
			PLUSH GREY 89



Parts Replacements List

600524
HEADREST KIT PLUSH BLACK 83
9000

Valid from 921126 to

Doc. R1-600524

Date 120508

Rev. 0

Rev.Date

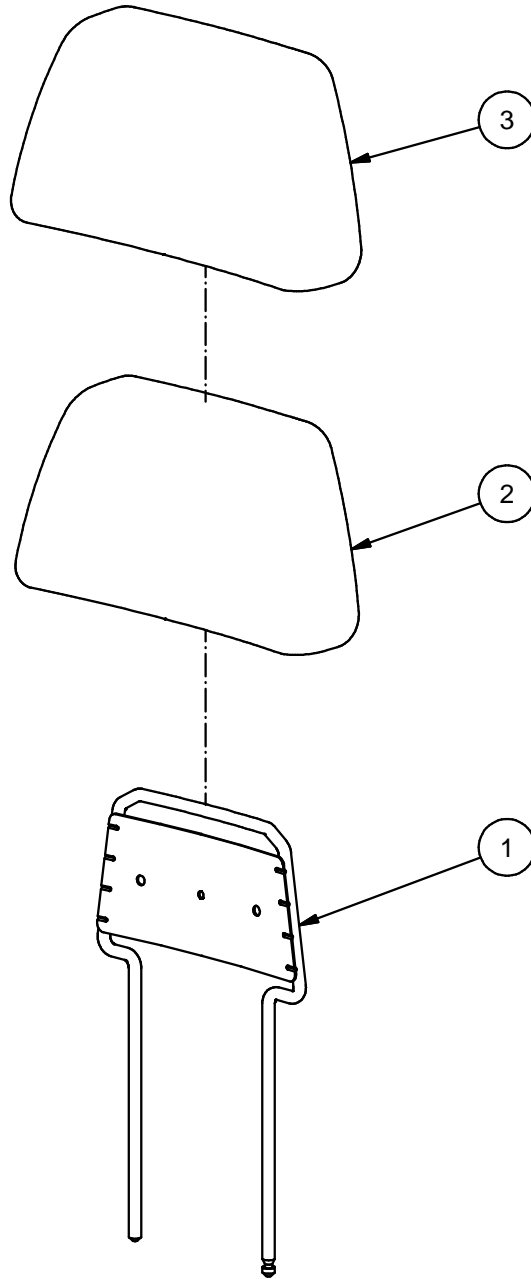


Fig.	Part. No.	Quantity	Description		
1	500341	1	FRAME HEADREST		
2	500344	1	FOAM HEAD REST		
3	640291	1	TRIM HEADREST		PLUSH BLACK 83



Parts Replacements List

600603
HEADREST KIT NIGHTFALL 4-WAY
9000

Valid from 040506 to

Doc. R1-600603

Date 120508

Rev. 0

Rev.Date

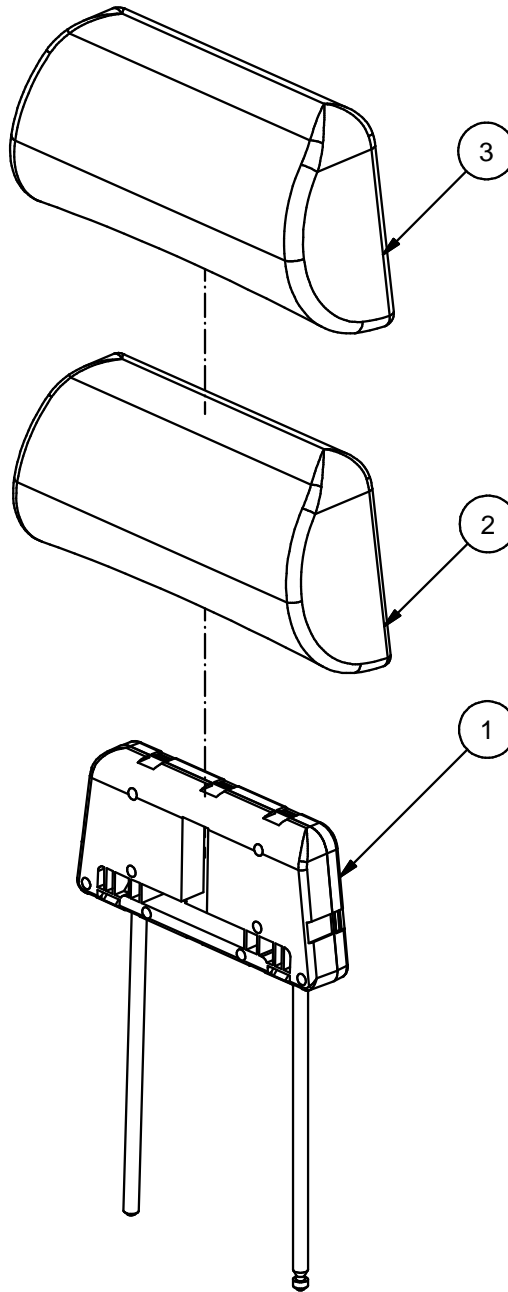


Fig.	Part. No.	Quantity	Description
2	621513	1	HEAD REST FOAM 4-WAYS
1	621567	1	HEAD REST FRAMEWORK ASM
3	641023	1	TRIM HEAD REST 4-WAYS, NIGHTFALL



Parts Replacements List

600532

HEADREST KIT LEATHER BLACK

9000

Valid from 010910 to

Doc. R1-600532

Date 120611

Rev. 0

Rev.Date

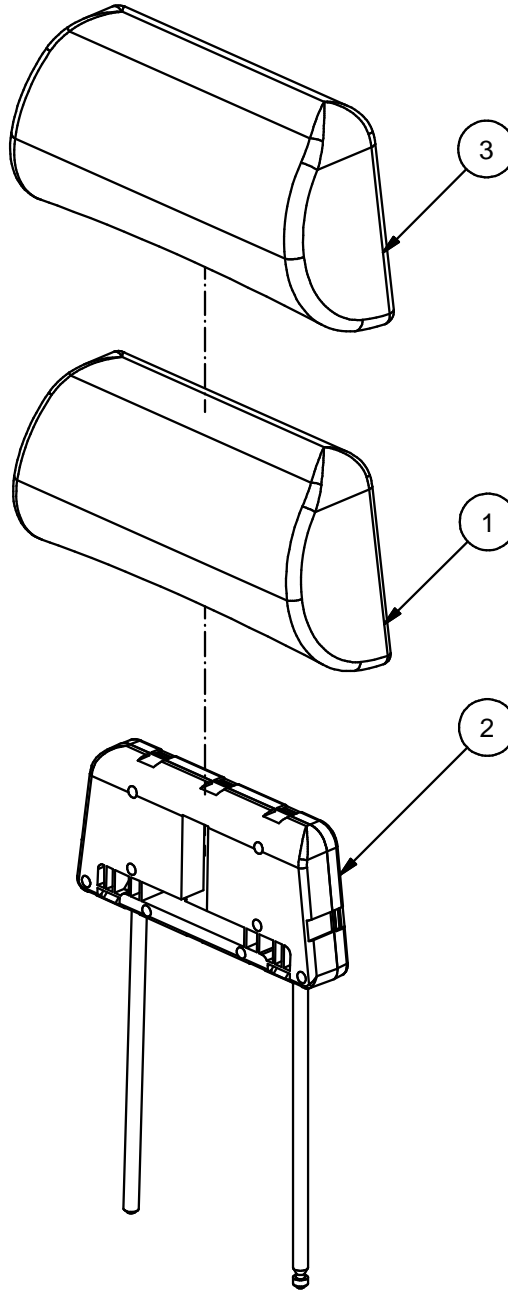


Fig.	Part. No.	Quantity	Description		
1	621513	1	HEAD REST FOAM 4-WAYS		
2	621567	1	HEAD REST FRAMEWORK ASM		
3	640478	1	TRIM HEAD REST 4-WAYS		LEATHER BLACK



Parts Replacements List

600530

**HEADREST KIT PLUSH BLACK 83 4-WAY
9000**

Valid from 010910 to

Doc. R1-600530

Date 120601

Rev. 0

Rev.Date

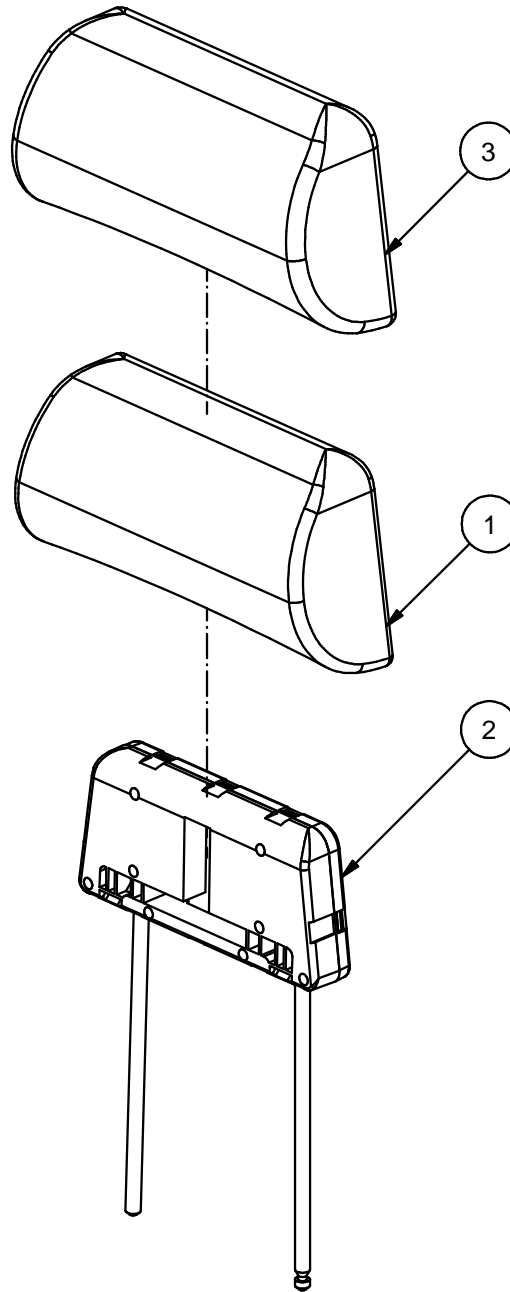


Fig.	Part. No.	Quantity	Description		
1	621513	1	HEAD REST FOAM 4-WAYS		
2	621567	1	HEAD REST FRAMEWORK ASM		
3	640290	1	TRIM HEAD REST 4-WAYS		PLUSH BLACK 83



Parts Replacements List

600241
AIRVENT TYPE 2 3PB 12V
9000

Valid from 960313 to

Doc. R1-600241

Date 120507

Rev. 0

Rev.Date

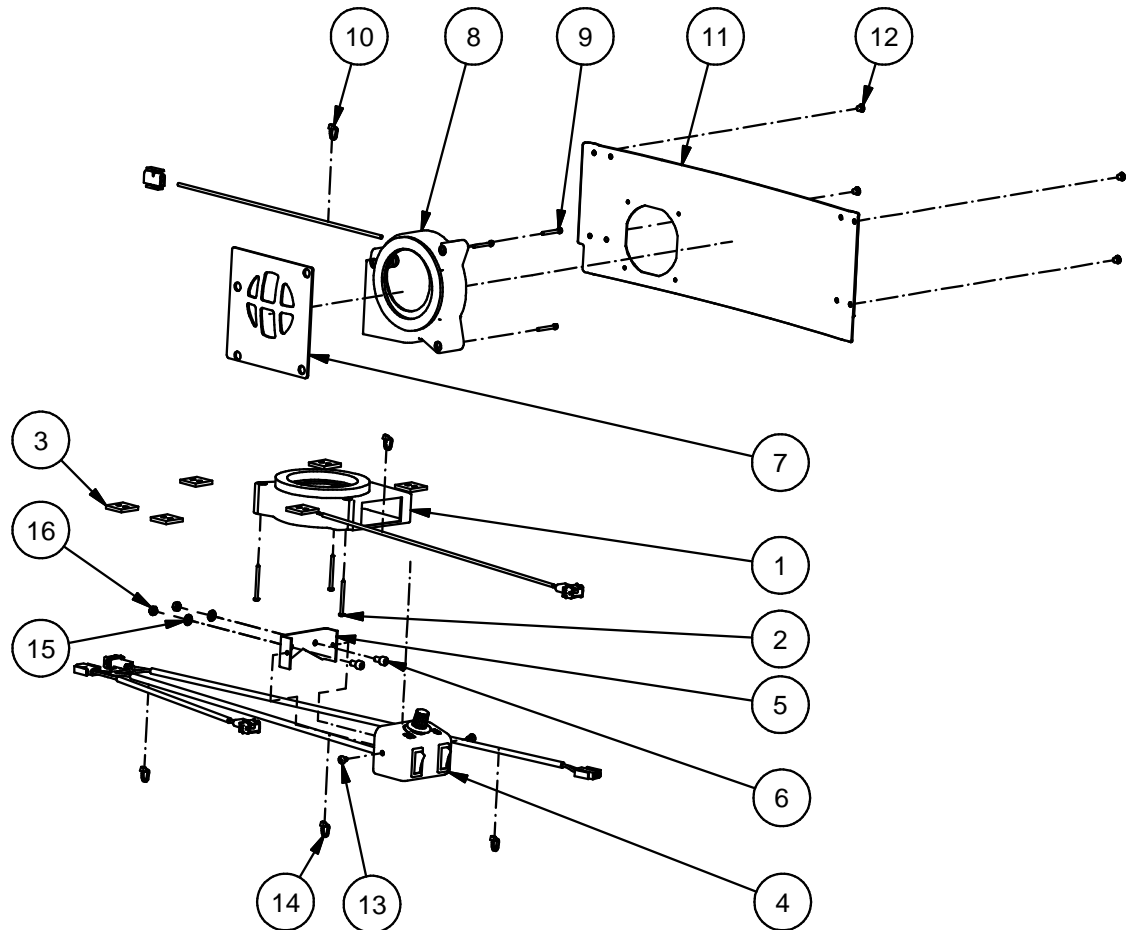


Fig.	Part. No.	Quantity	Description		
1	621121	1	FAN 12V SEAT AIRVENT TYPE 2		
2	650063	3	SCREW RXS	ST2.9x38	DIN7981C ZN POZ
3	501120	6	FOAM RUBBER		
4	628032	1	CONTROL AIRVENT TYPE 2		
5	620441	1	BRACKET		
6	650062	2	SCREW MC6S	M5x10	ISO4762 ZN 8.8
7	620450	1	FAN PROTECTING PLATE		
8	621122	1	FAN 12V BACKREST AIRVENT TYPE 2		
9	650061	3	SCREW ECS	M3x25	DIN84 ZN 4.8
10	660109	1	CABLE TIE		
11	620459	1	PLATE BACKREST 640 3P		
12	653000	4	RIVET AL/ST	4.0x7	AP/D BS
13	650037	2	SCREW MRX-TT	M4x6	DIN7500C-Z ZN BLACK
14	500317	4	CABLE TIE	200x4.6	WHITE
15	500495	2	WASHER IZ	6.4x11x0.7	DIN6798 ZN
16	500496	2	NUT M6M	M5	DIN934 ZN K8



Parts Replacements List

600243
AIRVENT TYPE 2 3PB 24V
9000

Valid from 960313 to

Doc. R1-600243

Date 120530

Rev. 0

Rev.Date

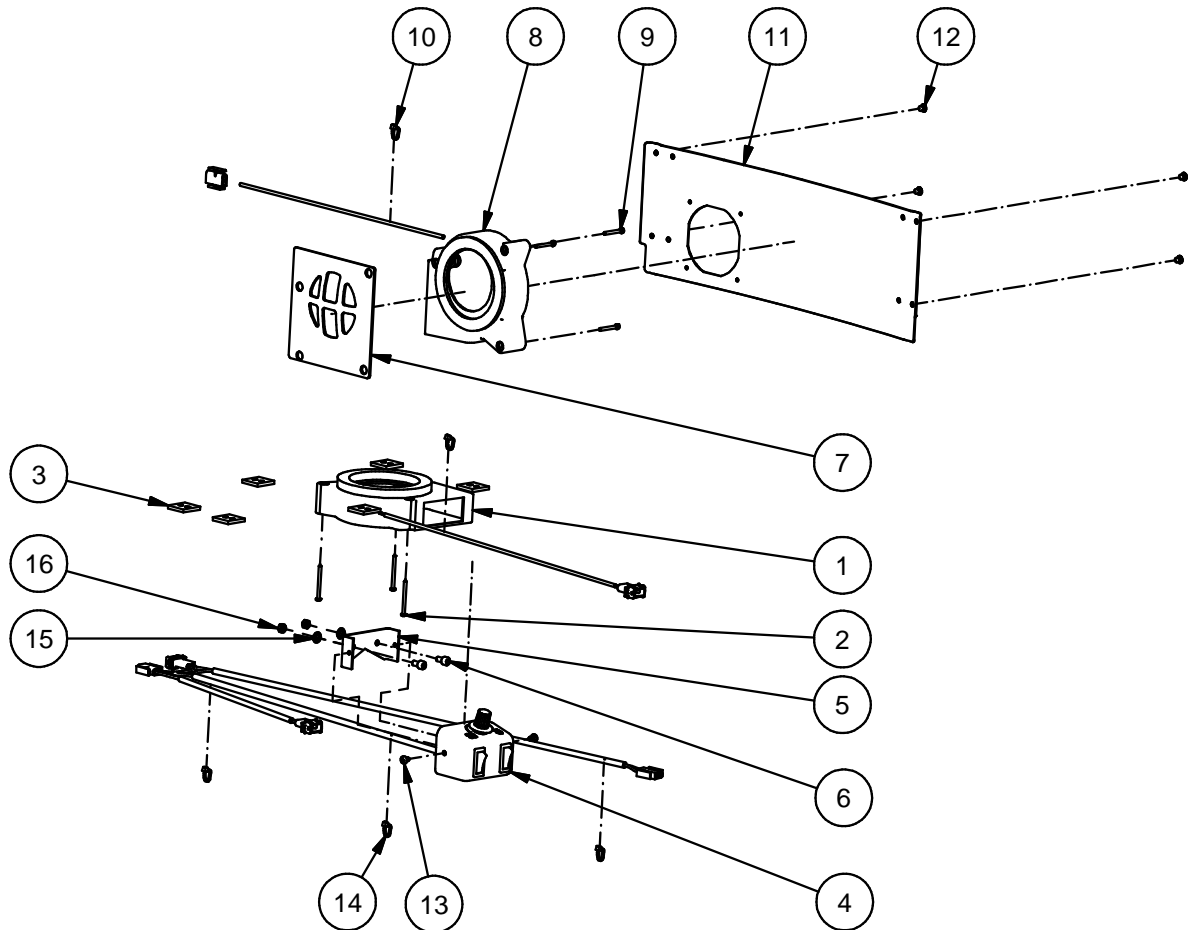


Fig.	Part. No.	Quantity	Description		
1	621123	1	FAN 24V SEAT AIRVENT TYPE 2		
2	650063	3	SCREW RXS	ST2.9x38	DIN7981C ZN POZ
3	501120	6	FOAM RUBBER		
4	628032	1	CONTROL AIRVENT TYPE 2		
5	620441	1	BRACKET		
6	650062	2	SCREW MC6S	M5x10	ISO4762 ZN 8.8
7	620450	1	FAN PROTECTING PLATE		
8	621124	1	FAN 24V BACKREST AIRVENT TYPE 2		
9	650061	3	SCREW ECS	M3x25	DIN84 ZN 4.8
10	660109	1	CABLE TIE		
11	620459	1	PLATE BACKREST 640 3P		
12	653000	4	RIVET AL/ST	4.0x7	AP/D BS
13	650037	2	SCREW MRX-TT	M4x6	DIN7500C-Z ZN BLACK
14	500317	4	CABLE TIE	200x4.6	WHITE
15	500495	2	WASHER IZ	6.4x11x0.7	DIN6798 ZN
16	500496	2	NUT M6M	M5	DIN934 ZN K8



Parts Replacements List

501090
HEATING ELEMENT 12V
9000

Valid from 021031 to

Doc. R1-501090

Date 120208

Rev. 0

Rev.Date

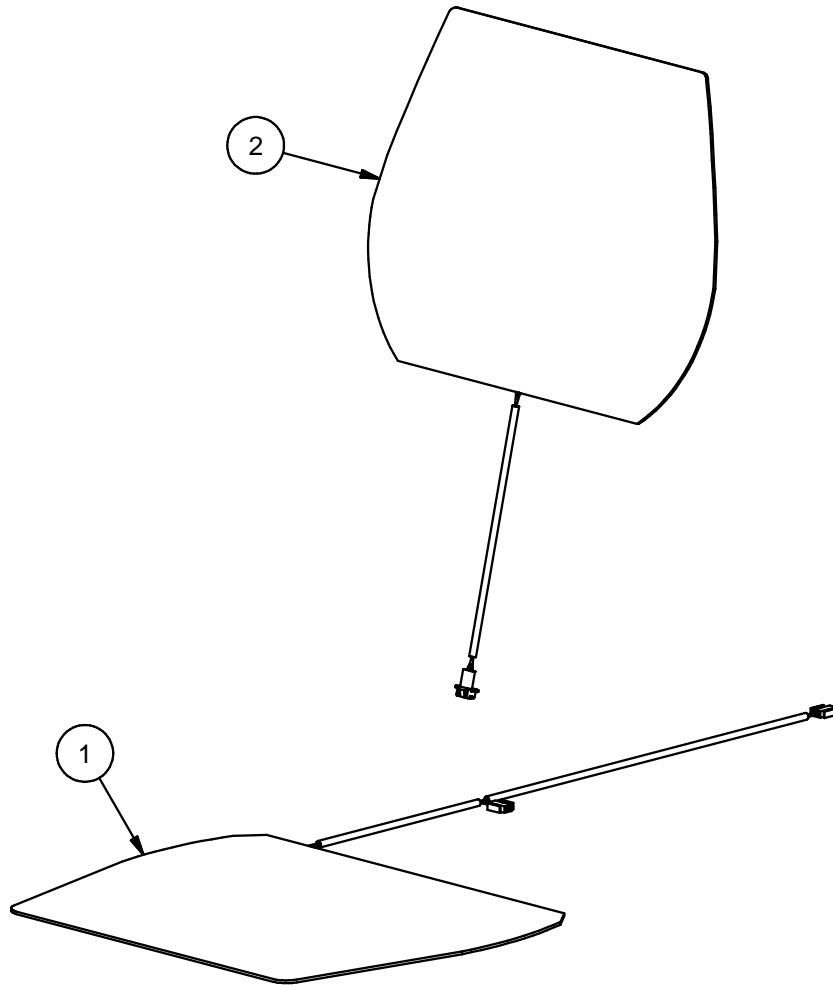


Fig.	Part. No.	Quantity	Description
1	500349	1	HEATING ELEMENT 12V CUSHION
2	500350	1	HEATING ELEMENT 12V SQUAB



Parts Replacements List

501091
HEATING ELEMENT 24V
9000

Valid from 880502 to

Doc. R1-501091

Date 100914

Rev. 0

Rev.Date

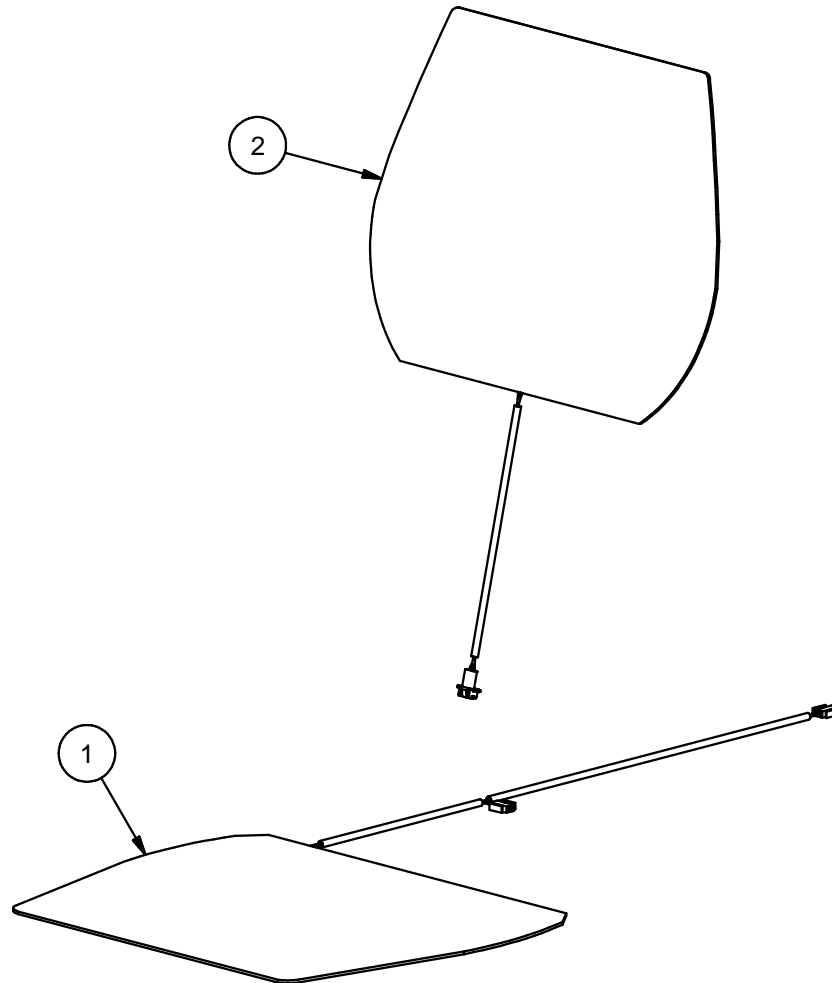


Fig.	Part. No.	Quantity	Description
1	500357	1	HEATING ELEMENT 24V CUSHION
2	500358	1	HEATING ELEMENT 24V SQUAB



Parts Replacements List

603038
HEATING ELEMENT 24V LEATHER
9000

Valid from 920811 to

Doc. R1-603038

Date 120614

Rev. 0

Rev.Date

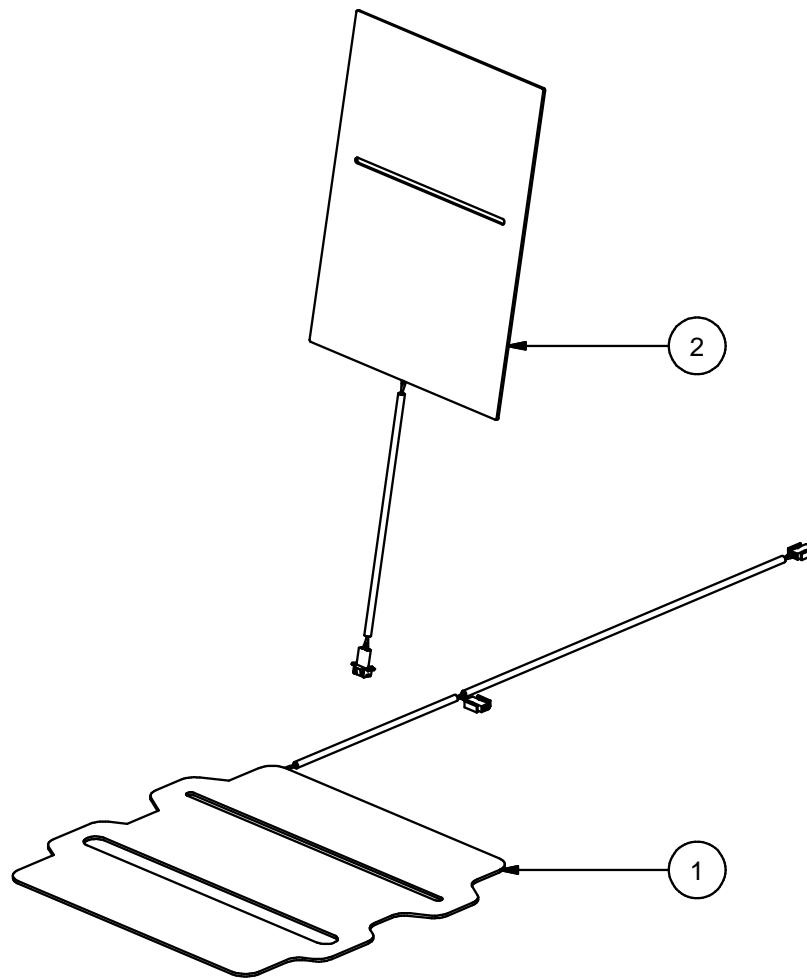


Fig.	Part. No.	Quantity	Description
1	500567	1	HEATING ELEMENT 24V CUSHION
2	500568	1	HEATING ELEMENT 24V SQUAB



Parts Replacements List

603124
MICRO SWITCH IP40
9000

Valid from 070611 to

Doc. R1-603124

Date 120507

Rev. 0

Rev.Date

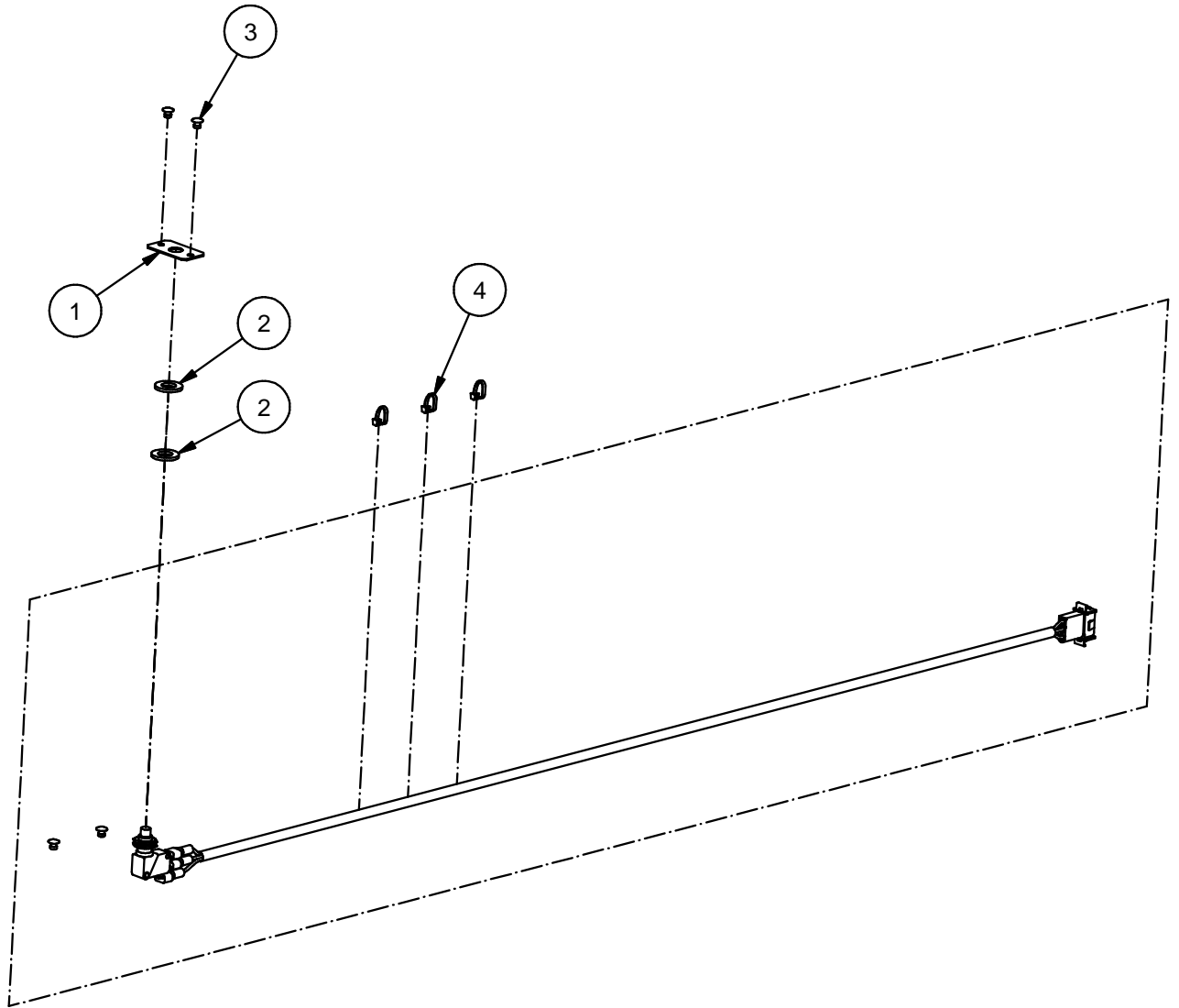


Fig.	Part. No.	Quantity	Description		
1	628684	1	BRACKET MICROSWITCH		
2	561027	2	WASHER	10.5x20x2	
3	653000	4	RIVET AL/ST	4.0x7	AP/D BS
4	500317	3	CABLE TIE	200x4.6	WHITE
5	629342	1	MICROSWITCH IP40		



Parts Replacements List

603125

**MICRO SWITCH IP40 + BUZZER 12V
9000**

Valid from 070611 to

Doc. R1-603125

Date 120507

Rev. 0

Rev.Date

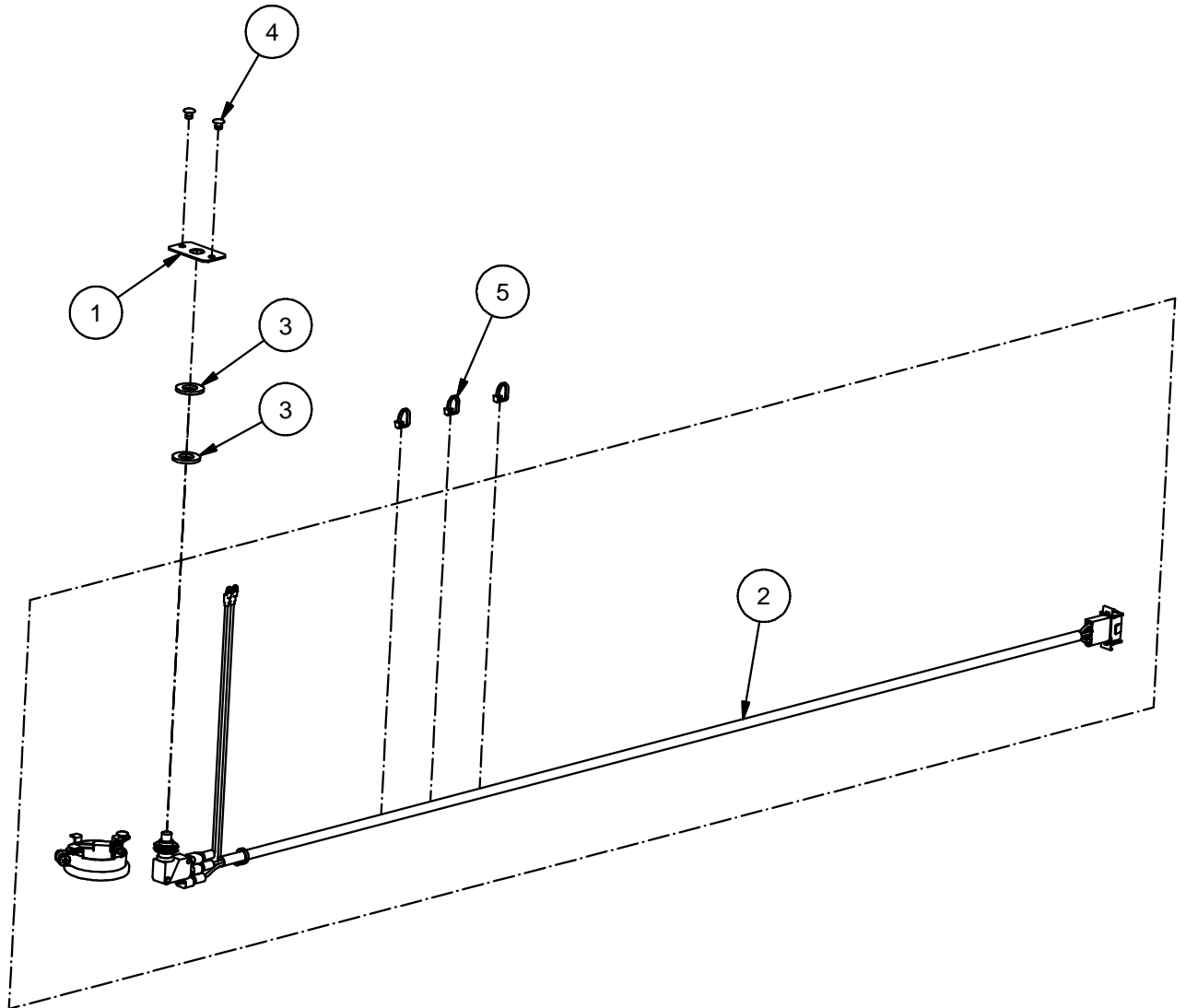


Fig.	Part. No.	Quantity	Description		
1	628684	1	BRACKET MICROSWITCH		
2	629348	1	MICRO SWITCH IP40 + BUZZER 12V		
3	561027	2	WASHER	10.5x20x2	
4	653000	4	RIVET AL/ST	4.0x7	AP/D BS
5	500317	3	CABLE TIE	200x4.6	WHITE



Parts Replacements List

603126

**MICRO SWITCH IP40+BUZZER 24V
9000**

Valid from 070611 to

Doc. R1-603126

Date 110428

Rev. 0

Rev.Date

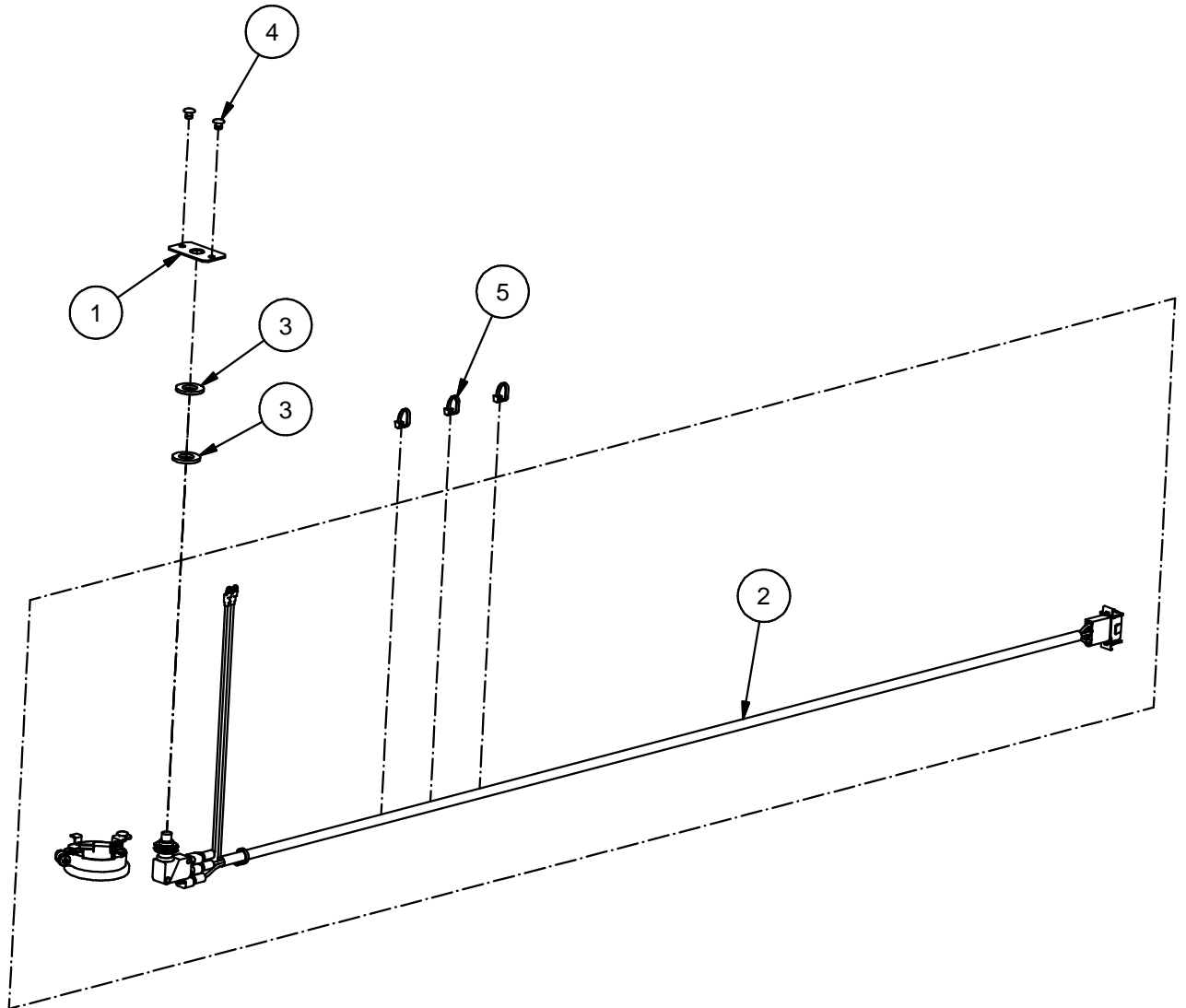


Fig.	Part. No.	Quantity	Description		
1	628684	1	BRACKET MICROSWITCH		
2	629349	1	MICRO SWITCH IP40		
3	561027	2	WASHER	10.5x20x2	
4	653000	4	RIVET AL/ST	4.0x7	AP/D BS
5	500317	3	CABLE TIE	200x4.6	WHITE



Parts Replacements List

603127
MICRO SWITCH IP57
9000

Valid from 070611 to

Doc. R1-603127

Date 120504

Rev. 0

Rev.Date

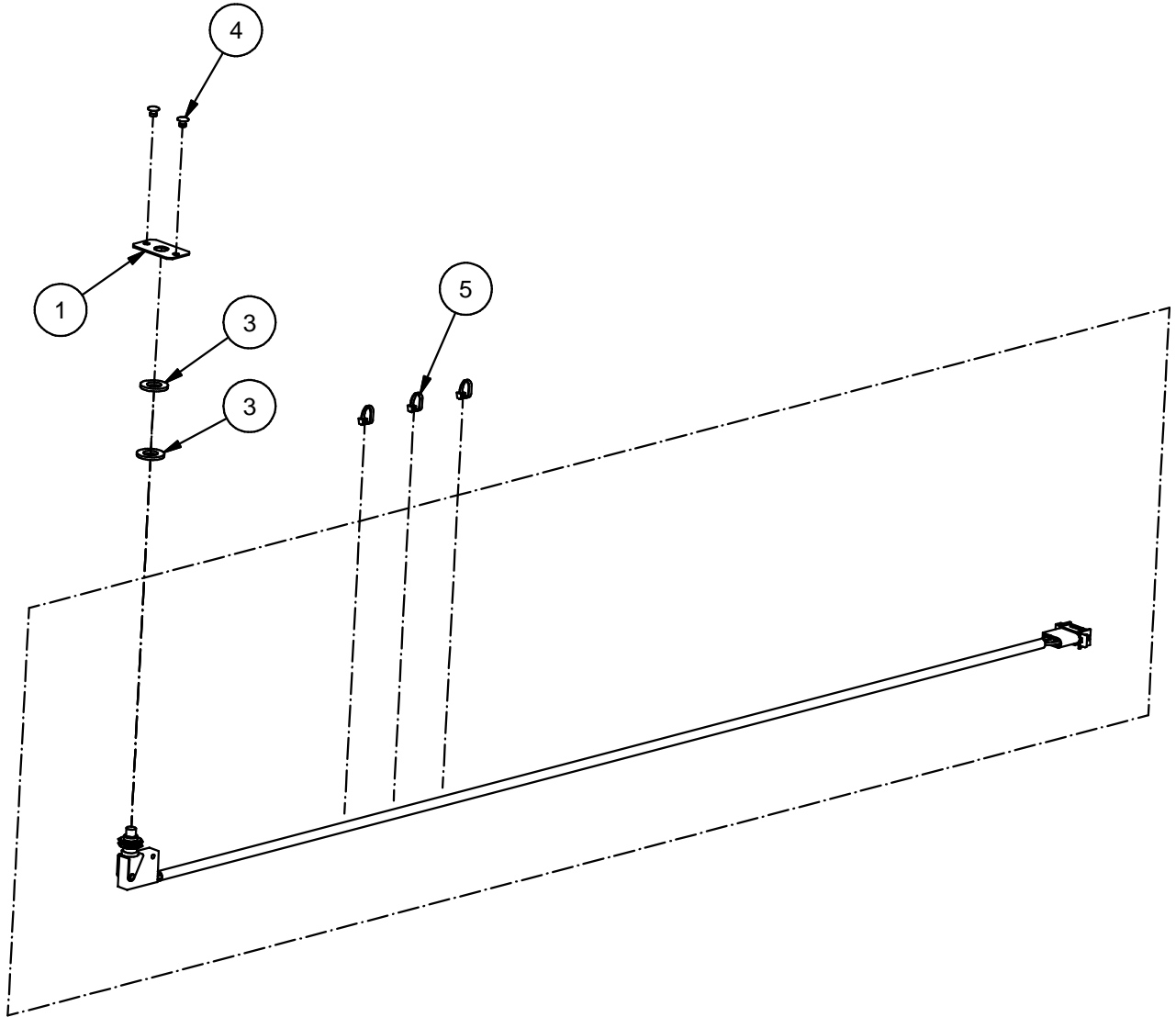


Fig.	Part. No.	Quantity	Description		
1	628684	1	BRACKET MICROSWITCH		
3	561027	2	WASHER	10.5x20x2	
4	653000	2	RIVET AL/ST	4.0x7	AP/D BS
5	500317	3	CABLE TIE	200x4.6	WHITE
7	629346	1	MICROSWITCH IP57		



Parts Replacements List

603128

**MICRO SWITCH IP57+BUZZER 12V
9000**

Valid from 070611 to

Doc. R1-603128

Date 120504

Rev. 0

Rev.Date

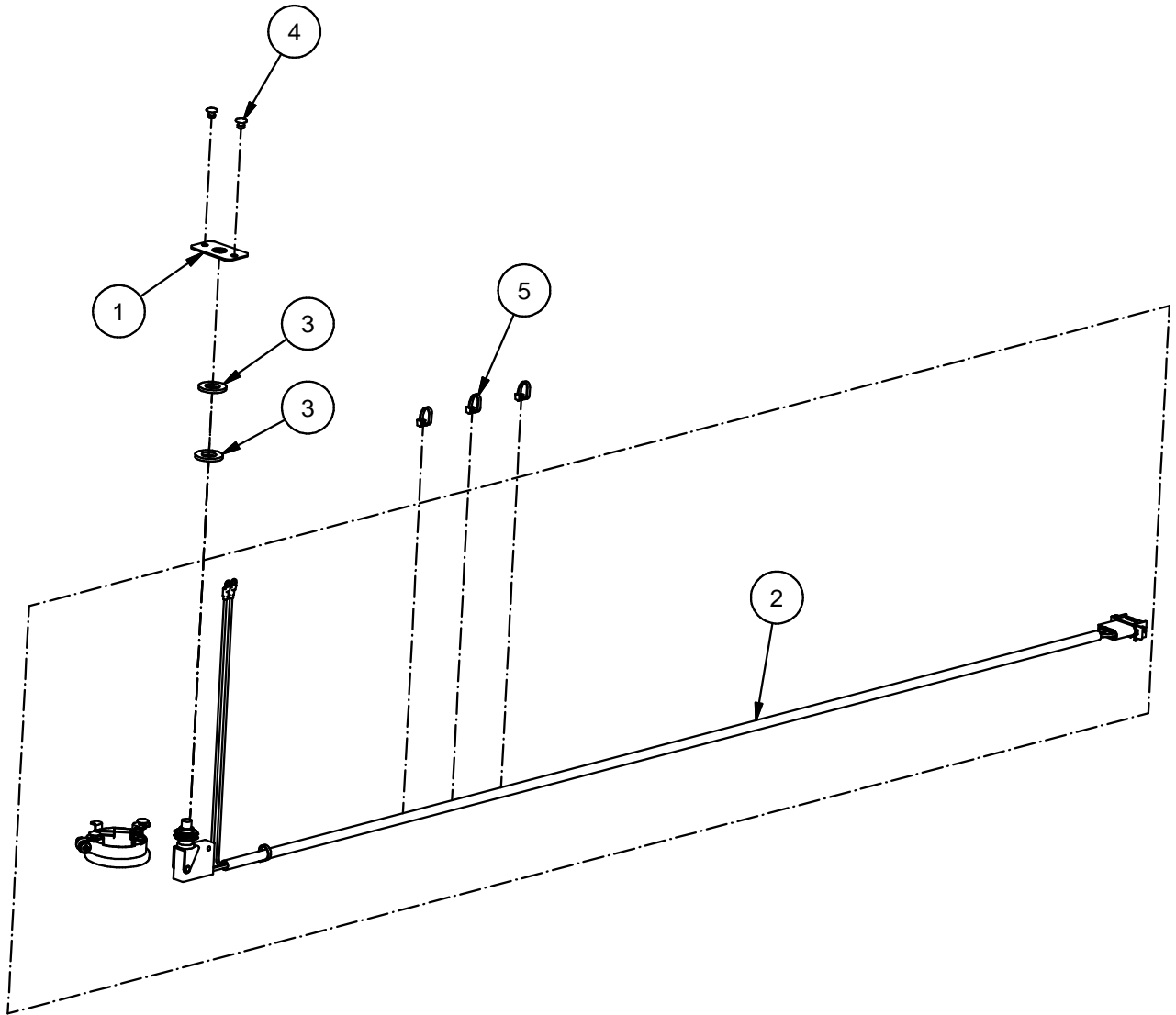


Fig.	Part. No.	Quantity	Description		
1	628684	1	BRACKET MICROSWITCH		
2	629350	1	MICRO SWITCH IP57 + BUZZER 12V		
3	561027	2	WASHER	10.5x20x2	
4	653000	4	RIVET AL/ST	4.0x7	AP/D BS
5	500317	3	CABLE TIE	200x4.6	WHITE



Parts Replacements List

603129

**MICRO SWITCH IP57+BUZZER 24V
9000**

Valid from 070611 to

Doc. R1-603129

Date 120504

Rev. 0

Rev.Date

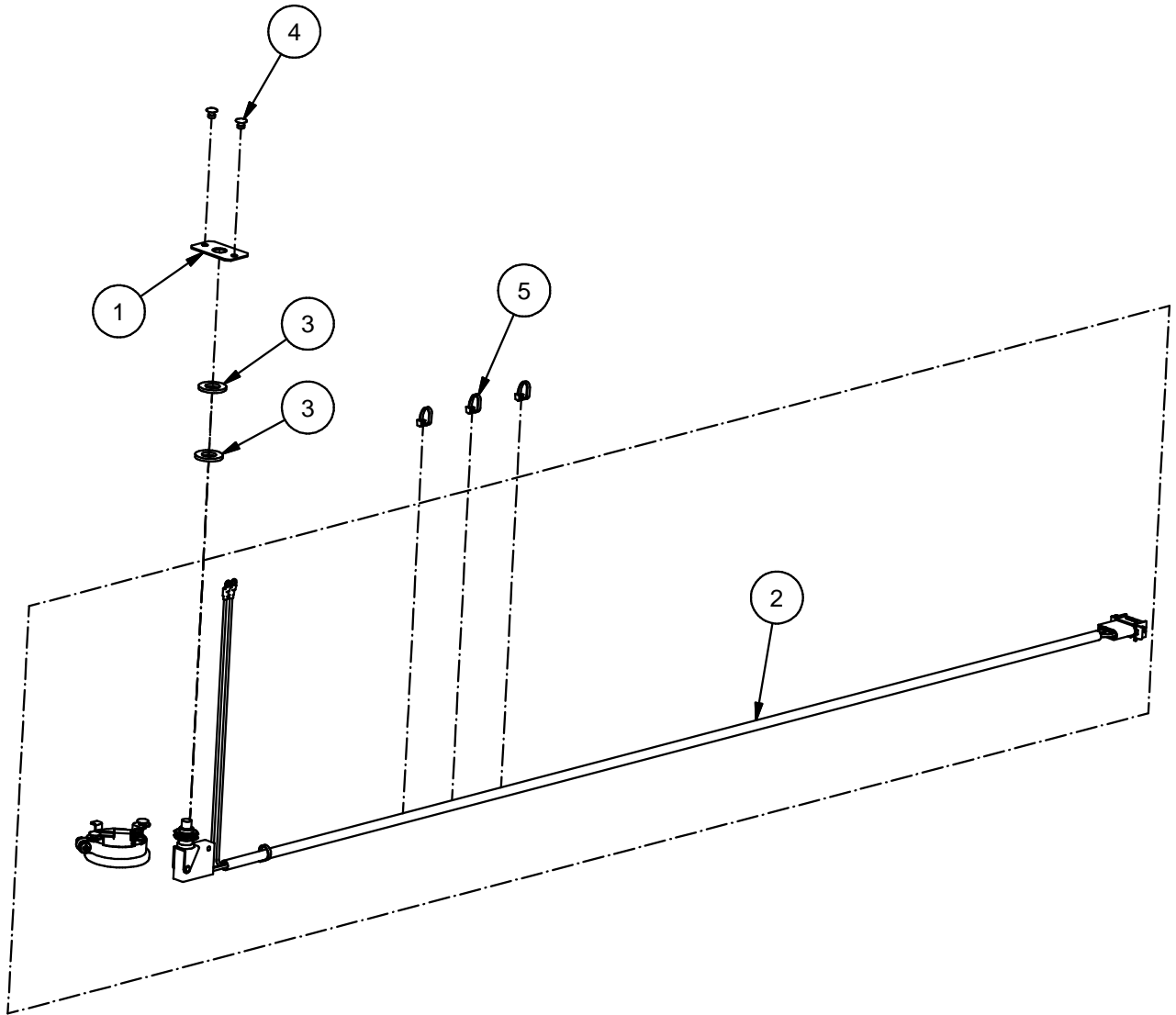


Fig.	Part. No.	Quantity	Description		
1	628684	1	BRACKET MICROSWITCH		
2	629351	1	MICRO SWITCH IP57		
3	561027	2	WASHER	10.5x20x2	
4	653000	4	RIVET AL/ST	4.0x7	AP/D BS
5	500317	3	CABLE TIE	200x4.6	WHITE



Parts Replacements List

603114
SIDE SUPPORT BACKREST
9000

Valid from 051027 to

Doc. R1-603114

Date 100518

Rev.

Rev.Date

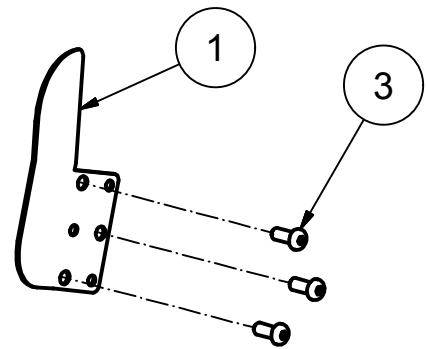
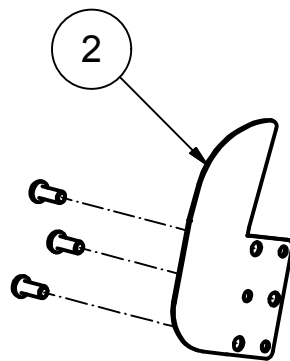


Fig.	Part. No.	Quantity	Description		
1	628868	1	SIDE SUPPORT LEFT		
2	628869	1	SIDE SUPPORT RIGHT		
3	650059	6	SCREW K6S	M8x20	ZN 10.9
4	673294	1	CLEANING NAPKIN 3M VHB		(NOT IN EXPLODED VIEW)
5	673293	0.16 LPM	TAPE 3M 5925	W=19 MM	(NOT IN EXPLODED VIEW)



Parts Replacements List

603115
SIDE SUPPORT BACKREST QR
9000

Valid from 970813 to

Doc. R1-603115

Date 120504

Rev. 0

Rev.Date

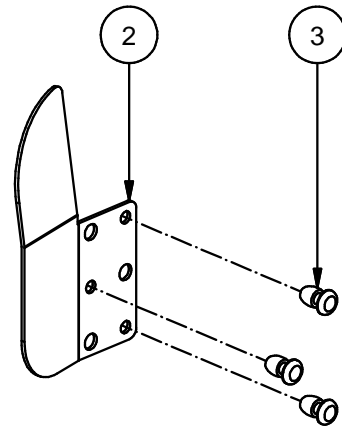
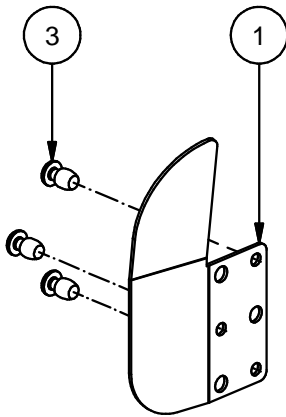


Fig.	Part. No.	Quantity	Description		
1	628869	1	SIDE SUPPORT RIGHT		
2	628868	1	SIDE SUPPORT LEFT		
3	500220	6	RIVET ST/ST	6,4x15	SP/D BS
4	673294	1	CLEANING NAPKIN 3M VHB		(NOT IN EXPLODED VIEW)
5	673293	1	TAPE 3M 5925	W=19 MM	(NOT IN EXPLODED VIEW)